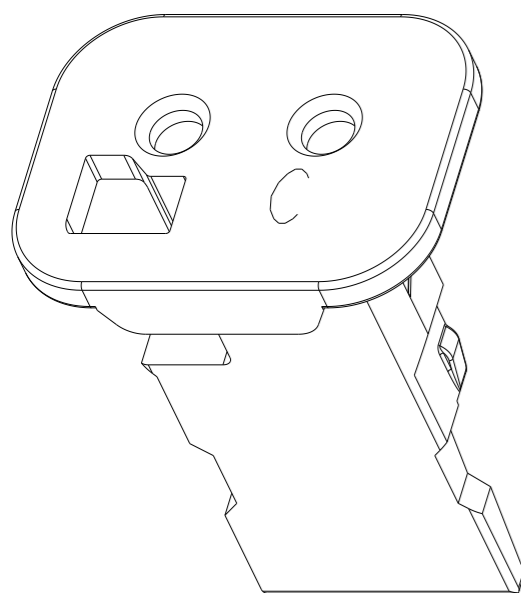
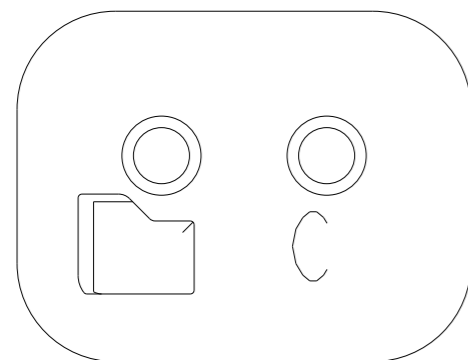
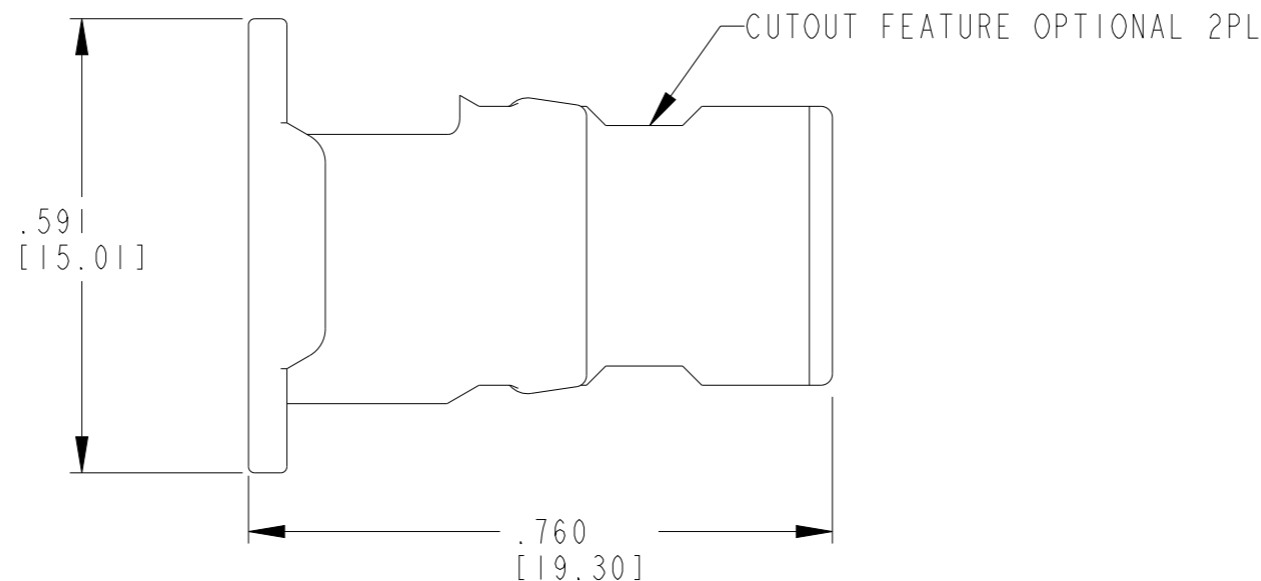


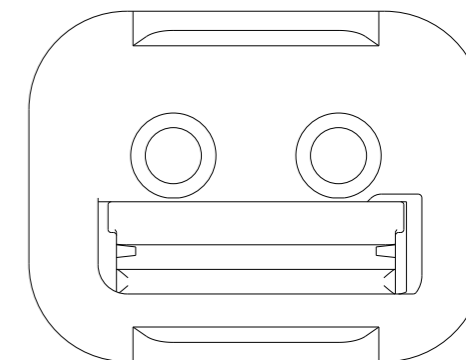
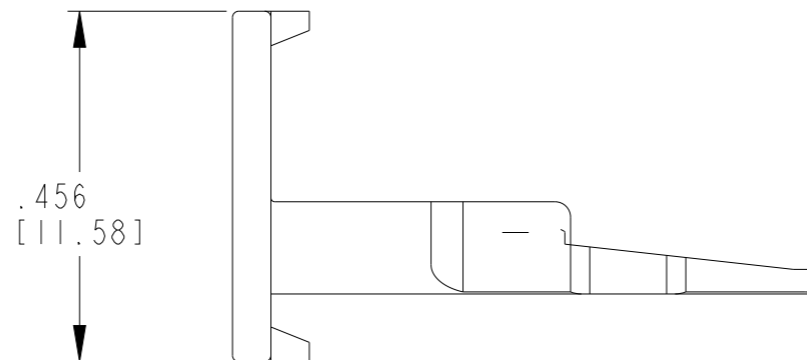
P	LTR	DESCRIPTION	DATE	DWN	APVD
	G	REVISED PER PCN-23-190134	29SEP2023	GB	CB



3D VIEW



WEDGE KEY IDENTIFICATION



THIS DRAWING IS A CONTROLLED DOCUMENT.

DWN S. THEIS 30AUG1999

CHK B. BAYFORD 24APR2012

APVD -

PRODUCT SPEC 108-151009

APPLICATION SPEC 114-151009

WEIGHT 0.746g

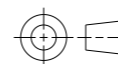
NAME 2 WAY PLUG WEDGE -C- KEY DT SERIES

SIZE A3 CAGE CODE 00779 DRAWING NO C=W2SC-P012 RESTRICTED TO -

CUSTOMER DRAWING; RESTRICTED CUSTOMER SCALE 4:1 SHEET 1 OF 1 REV G

DIMENSIONS:
INCHES [mm]

TOLERANCES UNLESS OTHERWISE SPECIFIED:



0 PLC ±
1 PLC ±
2 PLC ±
3 PLC ±.025 [0.63]
4 PLC ±
ANGLES ±

MATERIAL PBT GF30 GREEN

FINISH -

1. USED WITH DT06-2S-XXXX PLUG (XXXX = ALL MODIFICATIONS).

