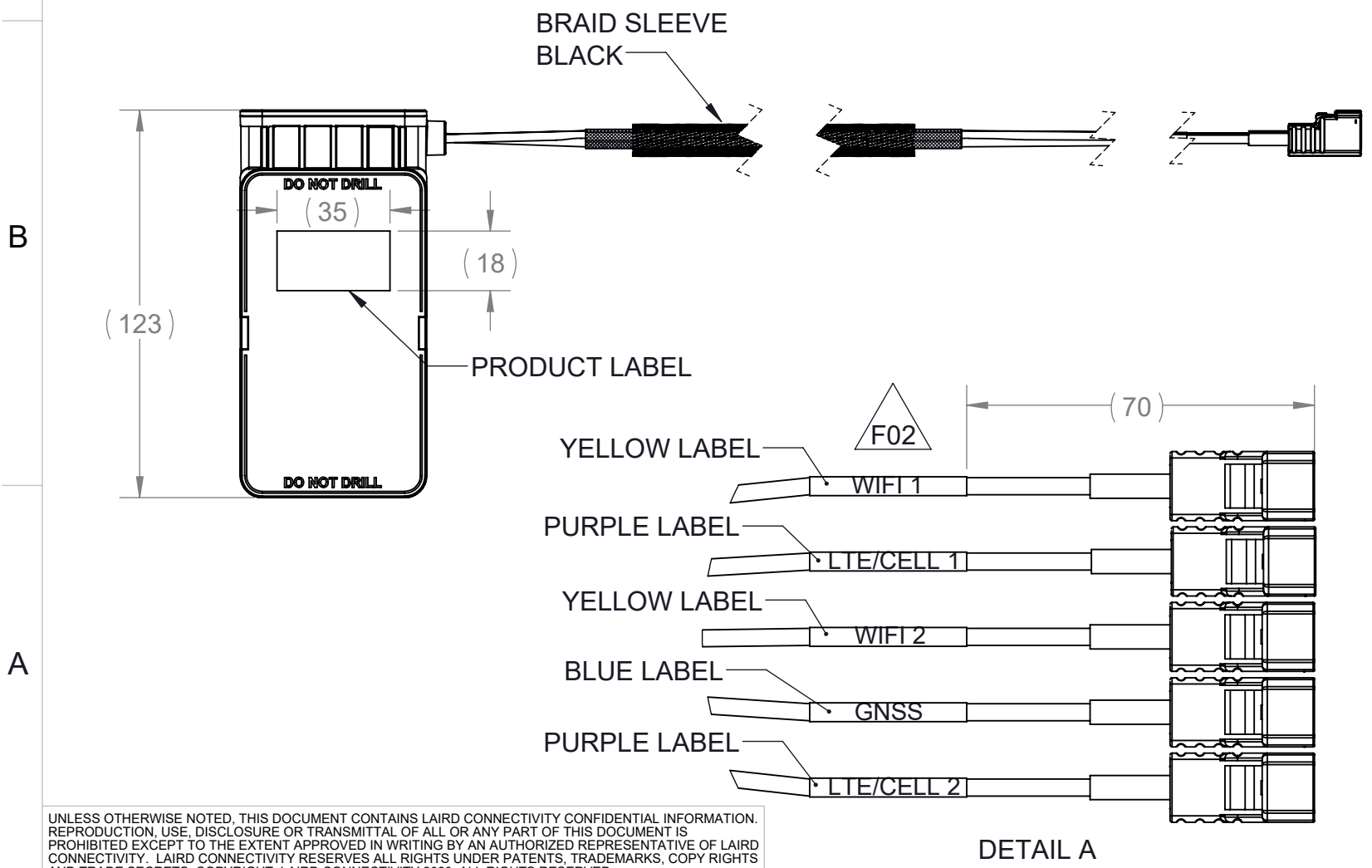
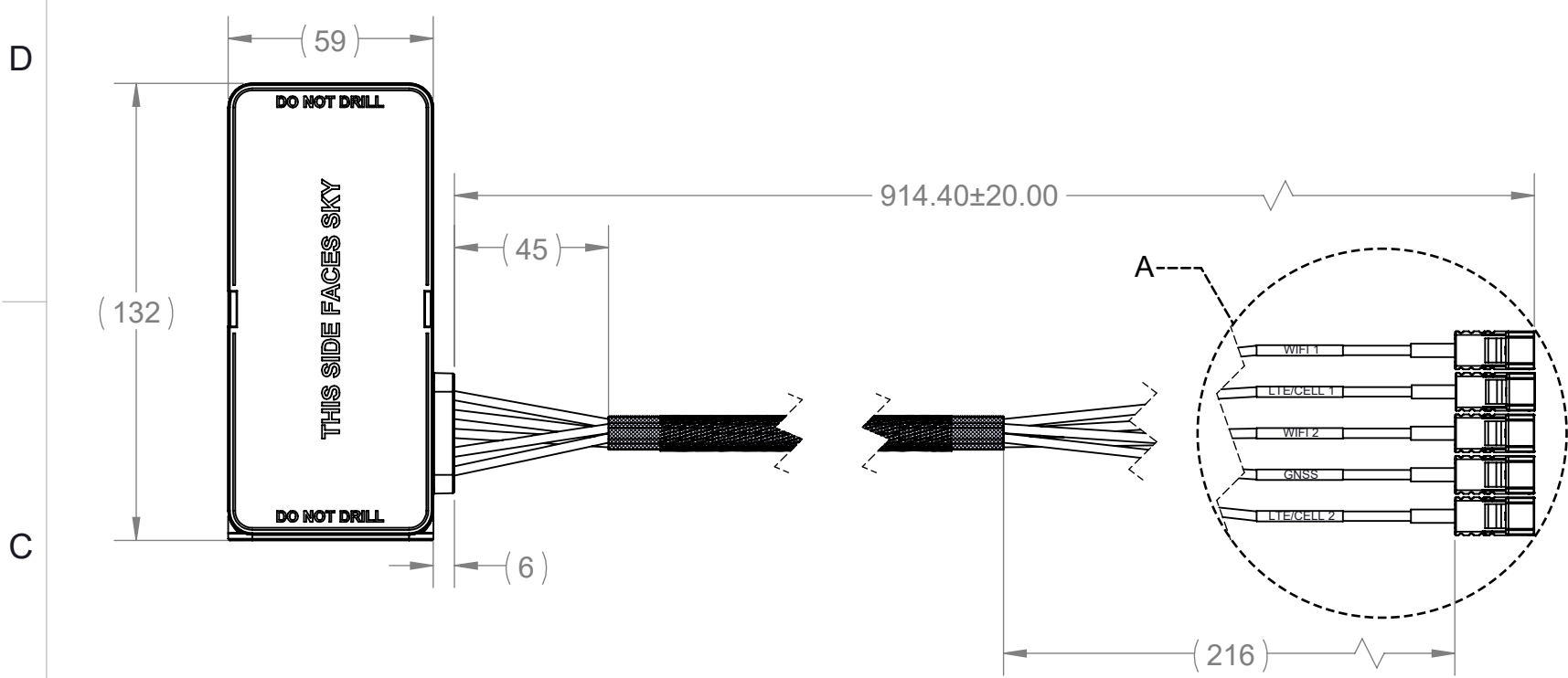


REVISIONS					
REV.	ECN #	ZONE	DESCRIPTION	CHANGED BY/DATE	APPROVED BY/DATE
F02	ECO-21-00198		PEAK GAIN WAS GAIN (MAX); CHANGE CABLE LABELING	CYH 29APR21	WT NG 29APR21



Parameter	Performance			
Laird Part Number	VPJ69595B-92FAK			
Electrical				
Frequency	698-960MHz / 1710-2700 MHz		2400-2500MHz / 4900-5900 MHz	
Peak Gain (dBi)	5		5	
Efficiency (Typical)	50%		40%	
VSWR	<3.1:1		<3.1:1	
Max Power - Ambient 25°C	5W			
GNSS				
Frequency	BeiDou: 1561.098 ± 2.046MHz	GPS: 1575.42 ± 1.023MHz	GLONASS: 1602 ± 5MHz	
Passive Gain	5dBic			
Active Gain	32dBic			
LNA Gain	28 ± 3dB			
Noise Figure	≤ 2.5dB			
OOB Rejection	698-960MHz >80dBc	1428-1511MHz >80dBc	1710-2700MHz >80dBc	4900-5800MHz >70dBc
Input Max Power	-10dBm			
Current Consumption	8.5 ± 3mA (at 3.0V)			
DC Voltage	2.5 ~ 7V			
Mechanical				
Weight	225g			
Housing Material	PC			
Housing Color	Black			
Housing Texture	MT11010			
Operating Temperature	-40°C ~ +85°C			
Storage Temperature	-40°C ~ +85°C			
Ingression Protection	IP67			
RoHS Compliance	Yes			
Coax Cable	LMR100 (or equivalent) - WIFI & CELL RG174 - GNSS			
RF Connector	1x Fakra Type C Jack (Blue) - GNSS 2x Fakra Type I Jack (Beige) - WIFI 2x Fakra Type D Jack (Purple) - LTE / CELL			
Mounting Tape (Separate Pack)	2x Double Sided Foam tape (75x40x1.6mm Thk) 3M VHB 5962P			

MATERIAL:		THIRD ANGLE PROJECTION
FINISH:		DO NOT SCALE DRAWING
APPROVALS		INTERPRET DIMENSIONING AND TOLERANCING IN ACCORDANCE WITH ASME Y14.5M-2009
DRAWN BY	CY HANG	DATE
ELEC. ENG.	TY NG	09NOV20
MECH. ENG.	WT NG	09NOV20
MFG./OPS.	MATTHEW	09NOV20
TOLERANCES UNLESS OTHERWISE SPECIFIED		DIMENSIONS ARE IN MILLIMETERS
ANGLE:		±30'
0 PLACE DECIMAL:		±0.5
1 PLACE DECIMAL:		±0.25
2 PLACE DECIMAL:		±0.13
SURFACE ROUGHNESS		1.6

Laird CONNECTIVITY
PENANG, MALAYSIA

TITLE: **TRIGGER 5 PORTS ANTENNA MOUNTING & OUTLINE**

SIZE	DWG. NO.	REV
A3	VPJ69595B-92FAKMO	F02
SCALE: 1:2	PREVIOUS#	SHEET 1 OF 2

UNLESS OTHERWISE NOTED, THIS DOCUMENT CONTAINS LAIRD CONNECTIVITY CONFIDENTIAL INFORMATION. REPRODUCTION, USE, DISCLOSURE OR TRANSMITTAL OF ALL OR ANY PART OF THIS DOCUMENT IS PROHIBITED EXCEPT TO THE EXTENT APPROVED IN WRITING BY AN AUTHORIZED REPRESENTATIVE OF LAIRD CONNECTIVITY. LAIRD CONNECTIVITY RESERVES ALL RIGHTS UNDER PATENTS, TRADEMARKS, COPYRIGHTS AND TRADE SECRETS. COPYRIGHT, LAIRD CONNECTIVITY 2020. ALL RIGHTS RESERVED.

6

5

4

3

2

1

D

D

C

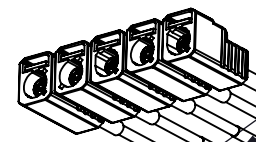
C

B

B

A

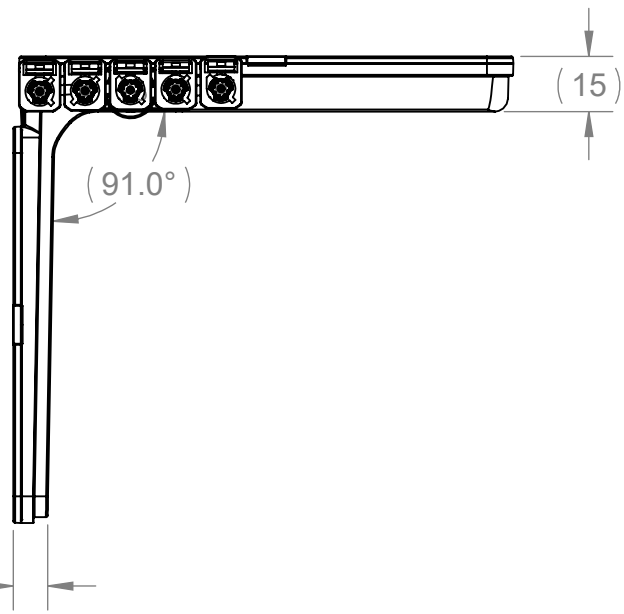
A



CONNECTOR LABEL

SHRINK TUBE
BOTH END OF BRAID SLEEVE

MOUNTING TAPE
PLACEMENT
(TAPE TO BE
PACK
SEPARATELY)



DIMENSION SHOWN NOT INCLUDE MOUNTING TAPE

Laird [™] CONNECTIVITY		
PENANG, MALAYSIA		
SIZE A3	DWG. NO. VPJ69595B-92FAKMO	REV F02
SCALE: 1:5	PREVIOUS#	SHEET 2 OF 2

6

5

4

3

2

1