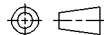


DRAWN S. ESTES	APPROVAL B. TOEPFER	DATE FIRST DRAWN 12-11-90	SCALE 1 : 1
-------------------	------------------------	------------------------------	----------------

CUSTOMER TYCO STANDARD

CHANGES			
REV.	DATE	CO	APP.
▲	03-11-99	REDRAWN	S.E. B.T.
▲			

TOLERANCE	0.X	=	+/- .1	[2.54]
UNLESS	0.XX	=	+/- .01	[.254]
SPECIFIED	0.XXX	=	+/- .010	[0.25]
OTHERWISE	ANGLES	=	+/- 1'	



DO NOT SCALE THIS DRAWING

ELECTRICAL CHARACTERISTICS: (ALL DATA APPLIES @ 23°C UNLESS OTHERWISE SPECIFIED)

COIL DATA:

NOMINAL VOLTAGE:	24 VDC
OPERATE VOLTAGE:	14.4 VDC MAXIMUM
RELEASE VOLTAGE:	2.4 VDC MINIMUM
COIL RESISTANCE:	317.5 OHMS +/- 10%
OPERATE TIME:	8 mSEC. MAXIMUM EXCLUDING BOUNCE
RELEASE TIME:	8 mSEC. MAXIMUM EXCLUDING BOUNCE
TEMPERATURE RANGE:	STORAGE -40°C TO +155°C
	OPERATING -40°C TO +85°C
	OPERATING -40°C TO +125°C (APPLICATION DEPENDENT)

CONTACT DATA: (Contact Data is Formatted N.O./N.C.)

CONTACT ARRANGEMENT:	1 FORM C (SPDT)
CONTACT MATERIAL:	AgNi 0.15 (FINE GRAIN SILVER)
CONTACT MILLIVOLT DROP	200 mV @ 40A ON N.O. CONTACTS (AFTER SWITCHING)
	250 mV @ 40A ON N.C. CONTACTS (AFTER SWITCHING)
MAXIMUM MAKE CURRENT:	120A/45A (LAMP) @ 16 VDC
MAXIMUM BREAK CURRENT:	60A/40A @ 16 VDC RESISTIVE
MAXIMUM CONTINUOUS CURRENT	60A/40A @ 23°C, 40A/30A @ 85°C
INITIAL BREAKDOWN CURRENT	500V RMS CONTACTS TO COIL

EXPECTED LIFE: 100,000 OPERATIONS, 40 A, 14 VDC RESISTIVE ON NORMALLY OPEN CONTACT

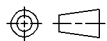
MECHANICAL CHARACTERISTICS:

EXPECTED LIFE: 10 MILLION OPERATIONS, NO CONTACT LOAD, 20 OPERATIONS PER SECOND MAXIMUM

DRAWN S.ESTES	APPROVAL B. TOEPFER	DATE FIRST DRAWN 12-11-90	SCALE 1 : 1
------------------	------------------------	------------------------------	----------------

CUSTOMER TYCO STANDARD

TOLERANCE	0.X	=	+/- .1	[2.54]
UNLESS	0.XX	=	+/- .01	[.254]
SPECIFIED	0.XXX	=	+/- .010	[0.25]
OTHERWISE	ANGLES	=	+/- 1'	

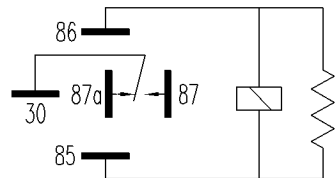
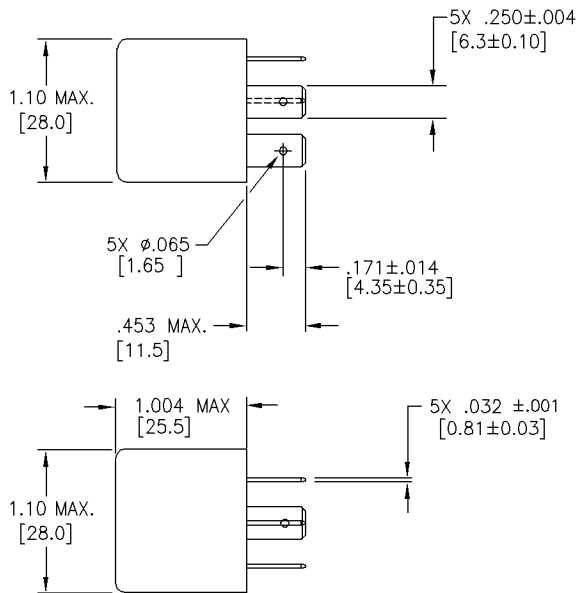


DO NOT SCALE THIS DRAWING

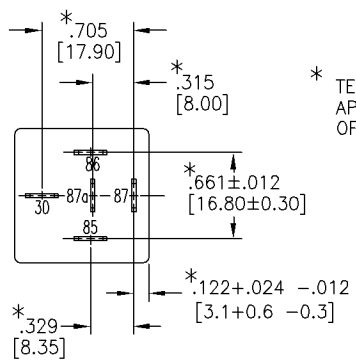
X.XXX = INCHES
[X.XXX] = MILLIMETERS

MARKING TO INCLUDE:

MANUFACTURER'S NAME, MANUFACTURER'S PART NUMBER, COIL VOLTAGE, SCHEMATIC, COUNTRY OF ORIGIN, AND DATE CODE



SCHEMATIC DIAGRAM (BOTTOM VIEW)



* TERMINAL LOCATIONS APPLY AT THE BASE OF THE TERMINALS