

THIS DRAWING IS UNPUBLISHED. RELEASED FOR PUBLICATION
 © COPYRIGHT - By - ALL RIGHTS RESERVED.

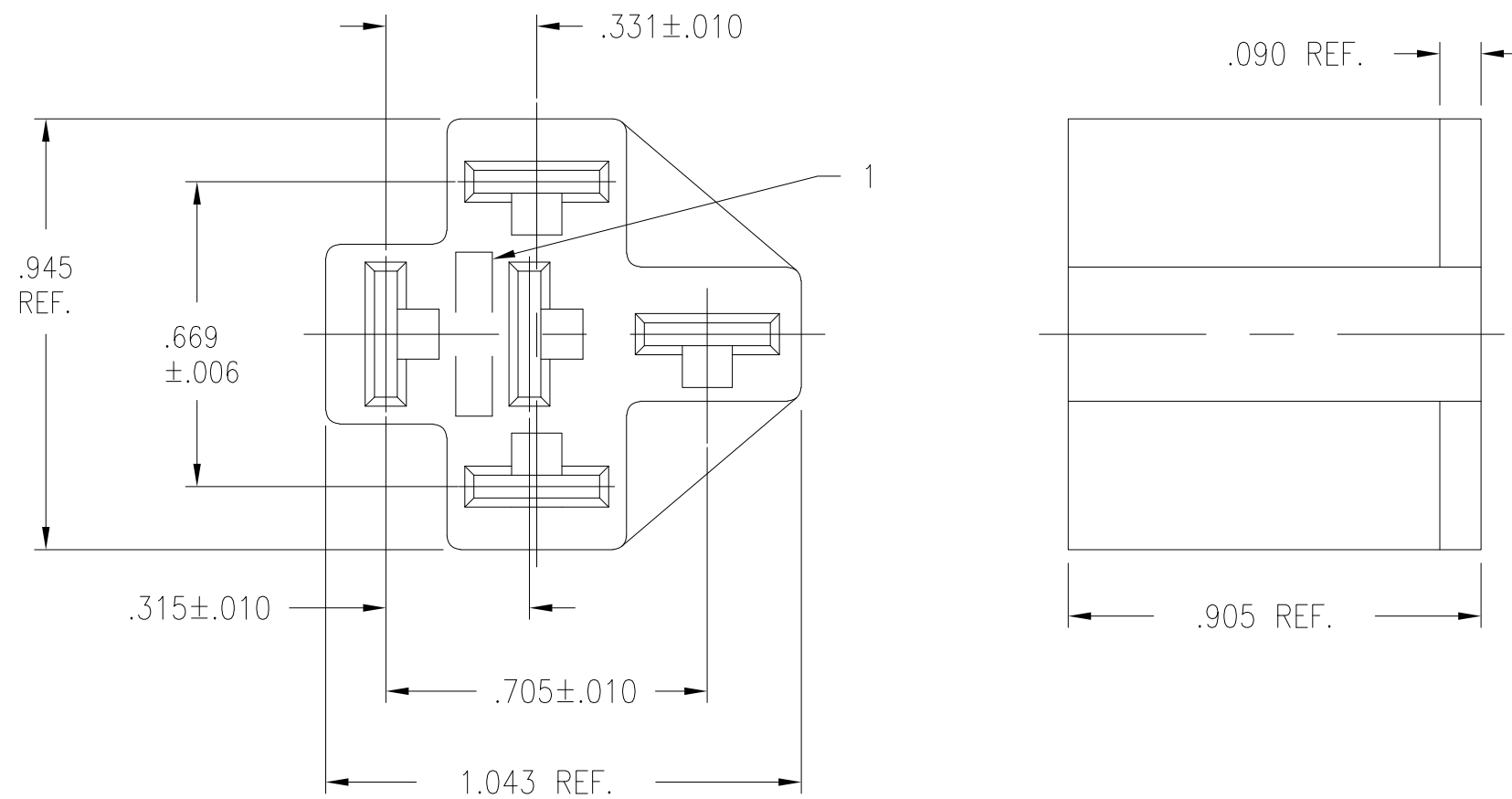
LOC		DIST		REVISIONS			
P	LTR	DESCRIPTION		DATE	DWN	APVD	
	C1	REVISED PER ECO-11-005139		29MAR11	RK	HMR	

NOTES:


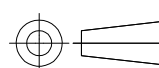
- MARK WITH TYCO ELECTRONICS LOGO AND "VCF4-1001" WITH RAISED CHARACTERS IN APPROX. LOCATION SHOWN.

NOTE:

THIS CONNECTOR TO BE USED WITH
 TERMINAL# 26A1349A OR AMP# 60249-1



TE CONNECTIVITY PART NUMBER: 3-1393310-7

THIS DRAWING IS A CONTROLLED DOCUMENT.		DWN	S. NEPHEW	22JUL2010	 TE Connectivity CUSTOMER DATA -				
DIMENSIONS: INCHES		CHK	B. TOEPFER	22JUL2010					
		APVD	B. TOEPFER	22JUL2010					
TOLERANCES UNLESS OTHERWISE SPECIFIED:		PRODUCT SPEC		NAME					
0 PLC ± - 1 PLC ± - 2 PLC ± - 3 PLC ± - 4 PLC ± - ANGLES ± -		APPLICATION SPEC		SIZE	CAGE CODE	DRAWING NO	RESTRICTED TO		
MATERIAL		FINISH		WEIGHT		A3	00779	C-VCF4-1001	-
CUSTOMER DRAWING				SCALE	NTS	SHEET	1 OF 1	REV	C1