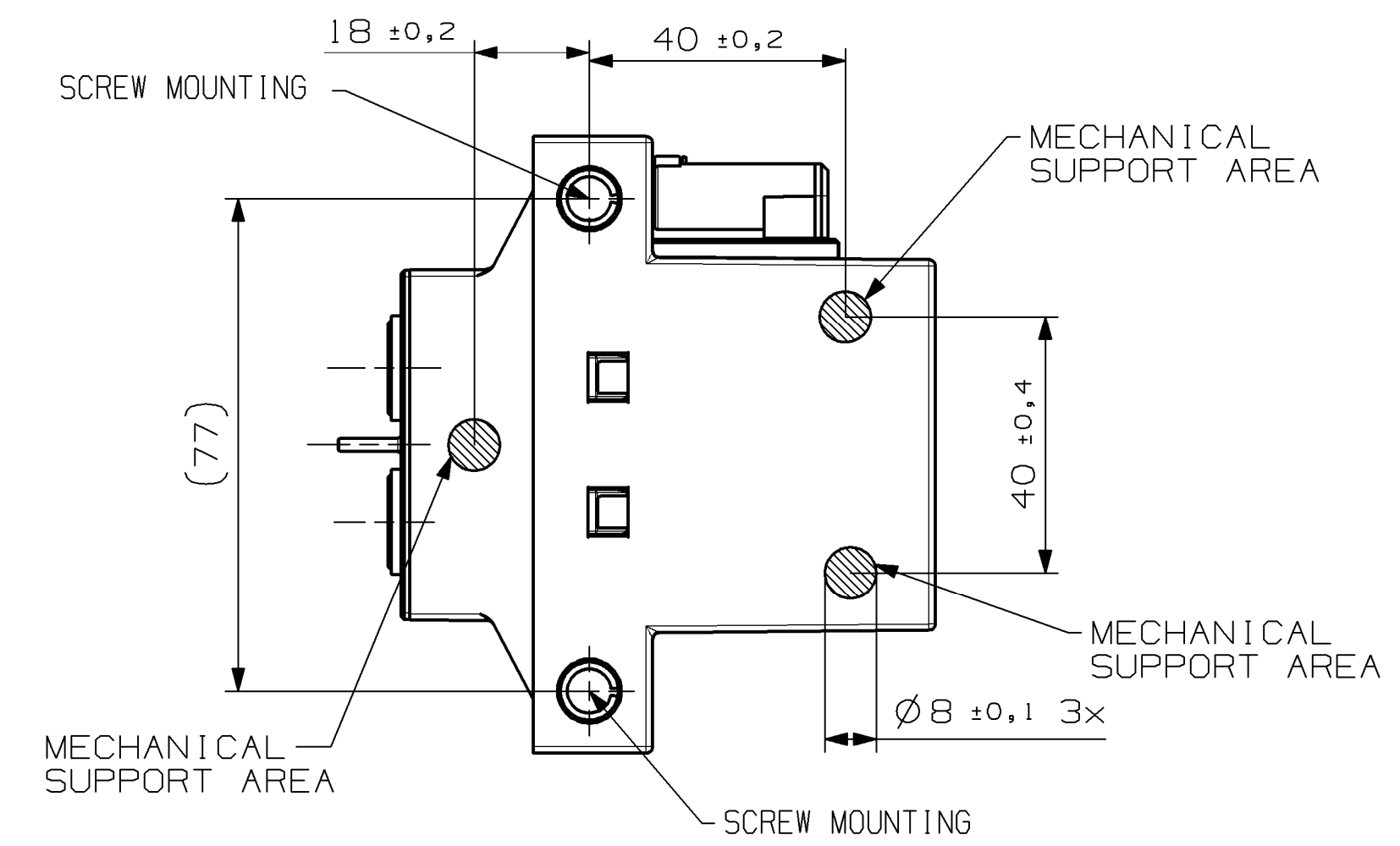
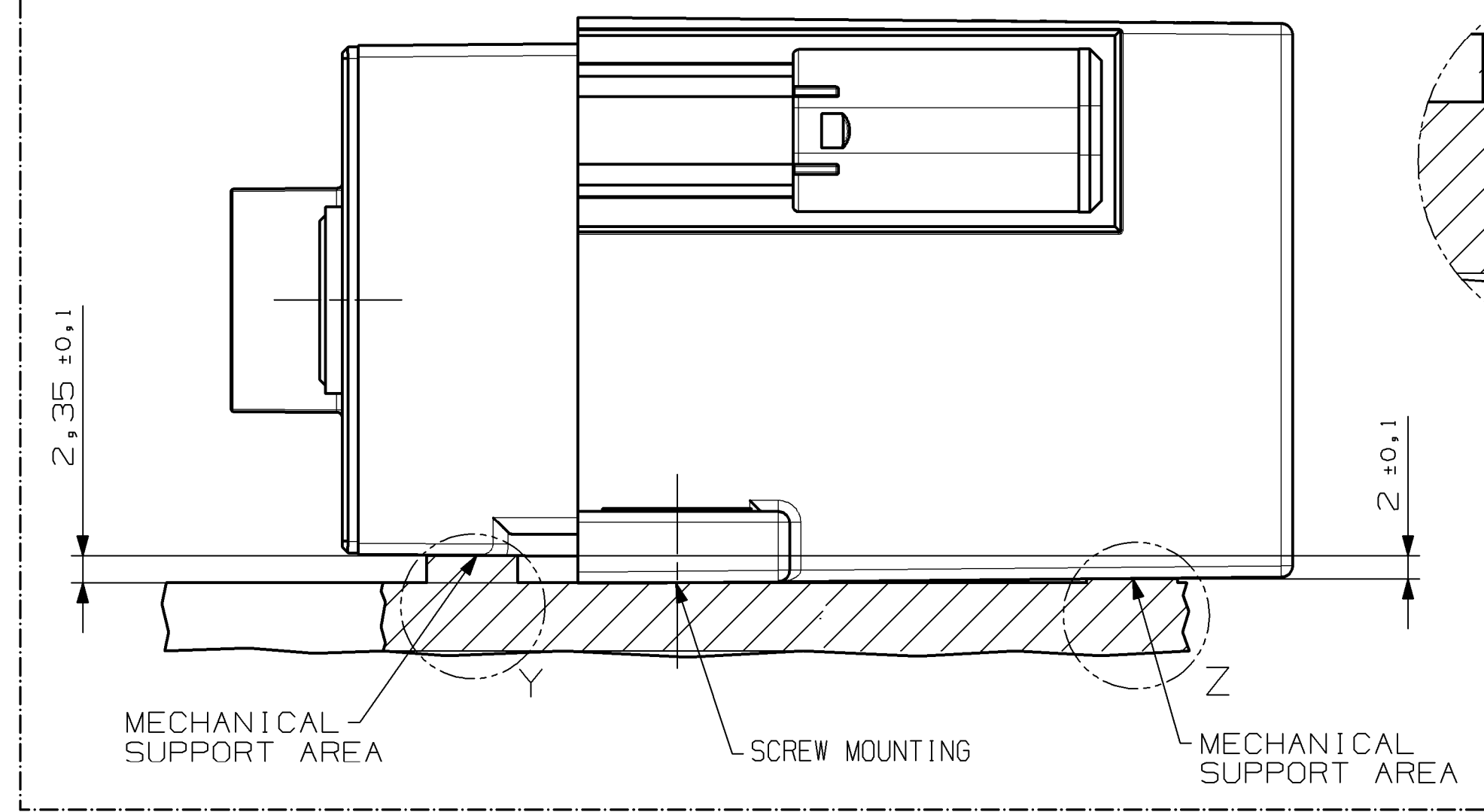


MOUNTING CONDITIONS

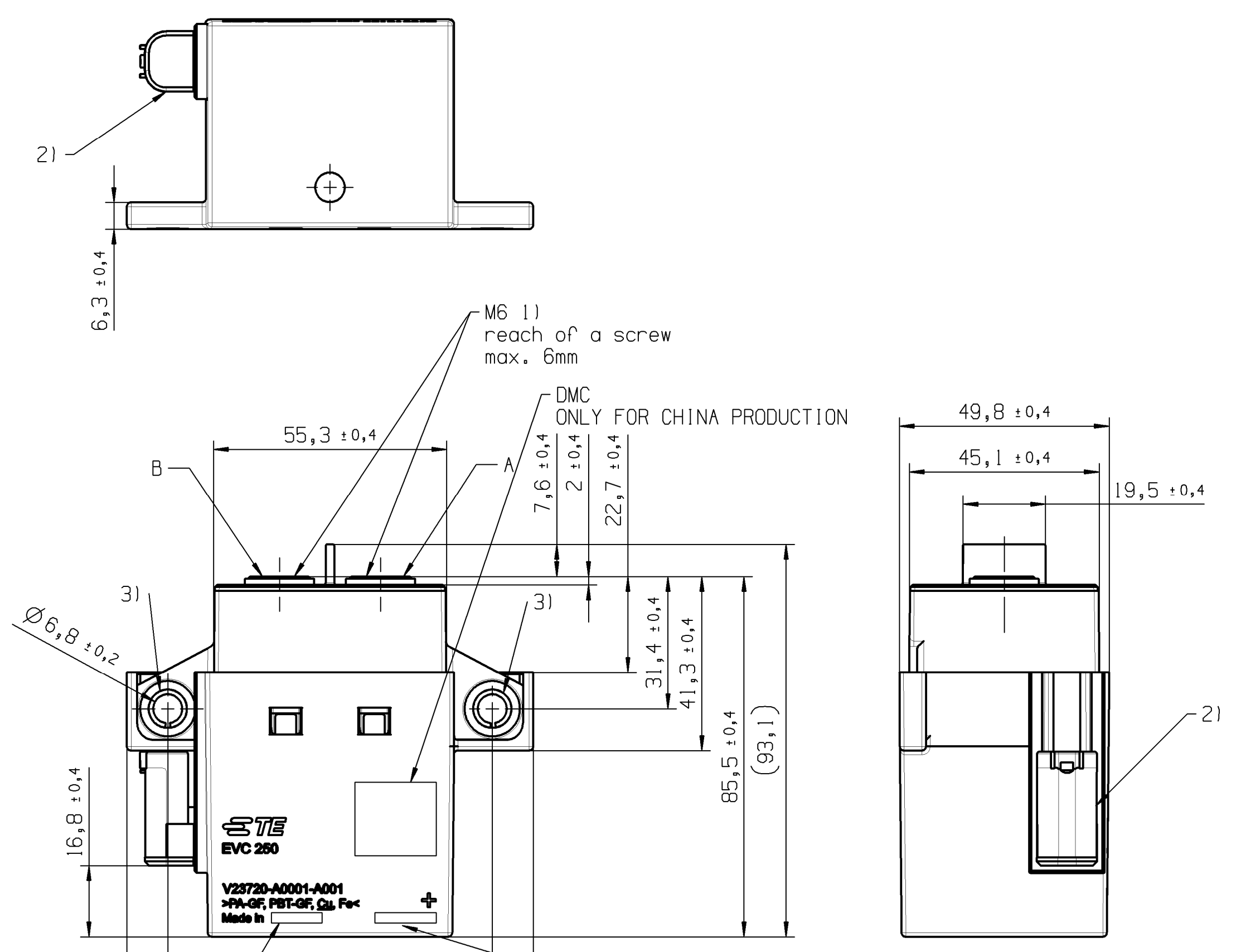
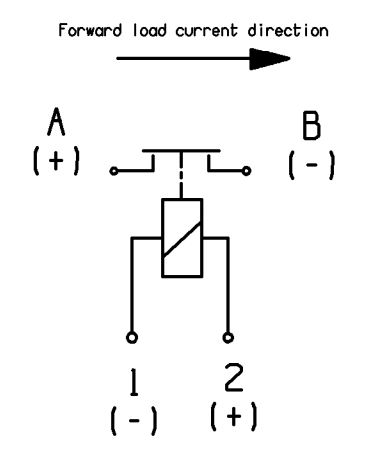
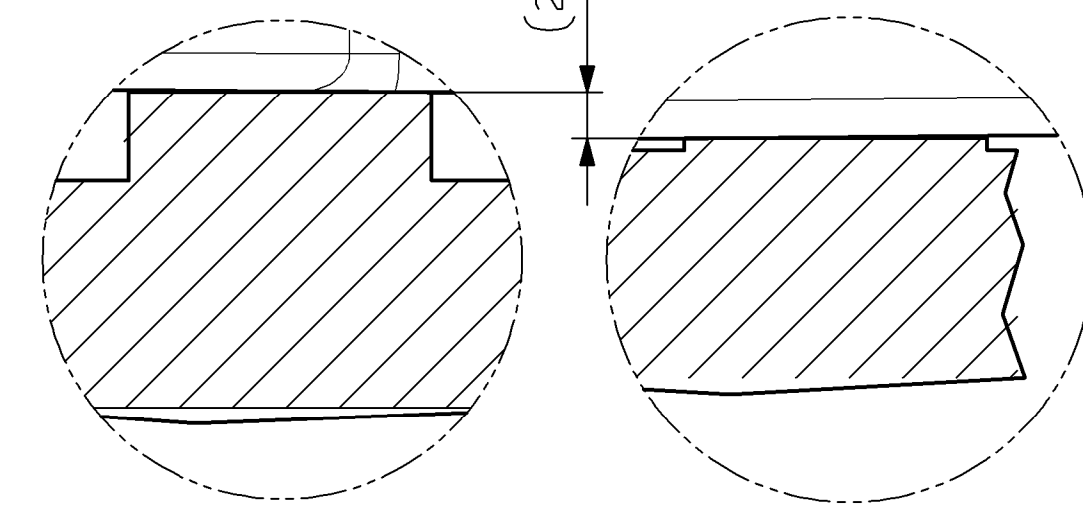


SCALE 2:1



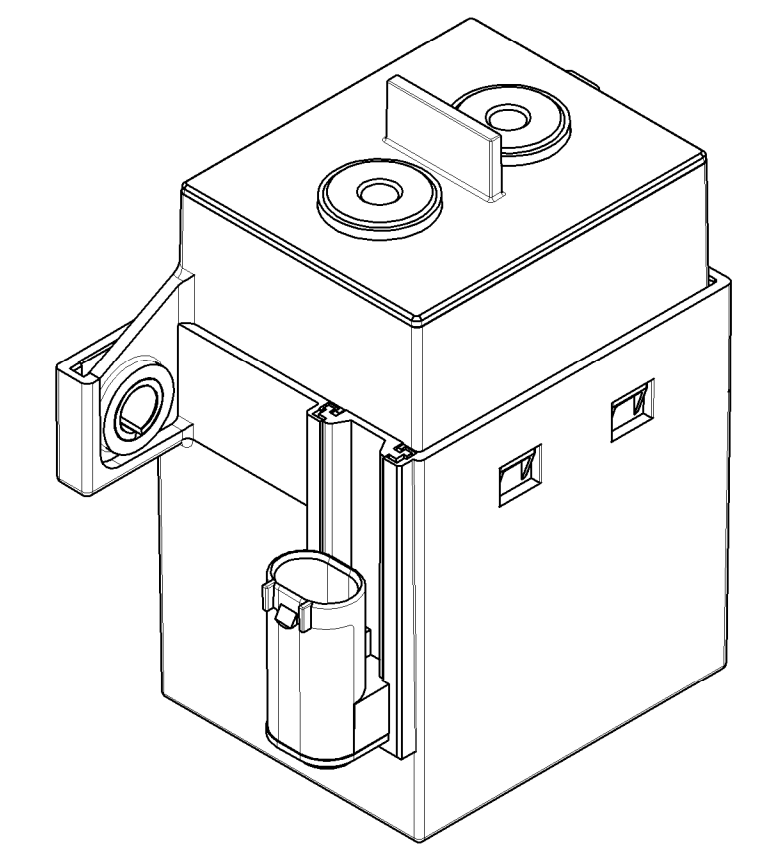
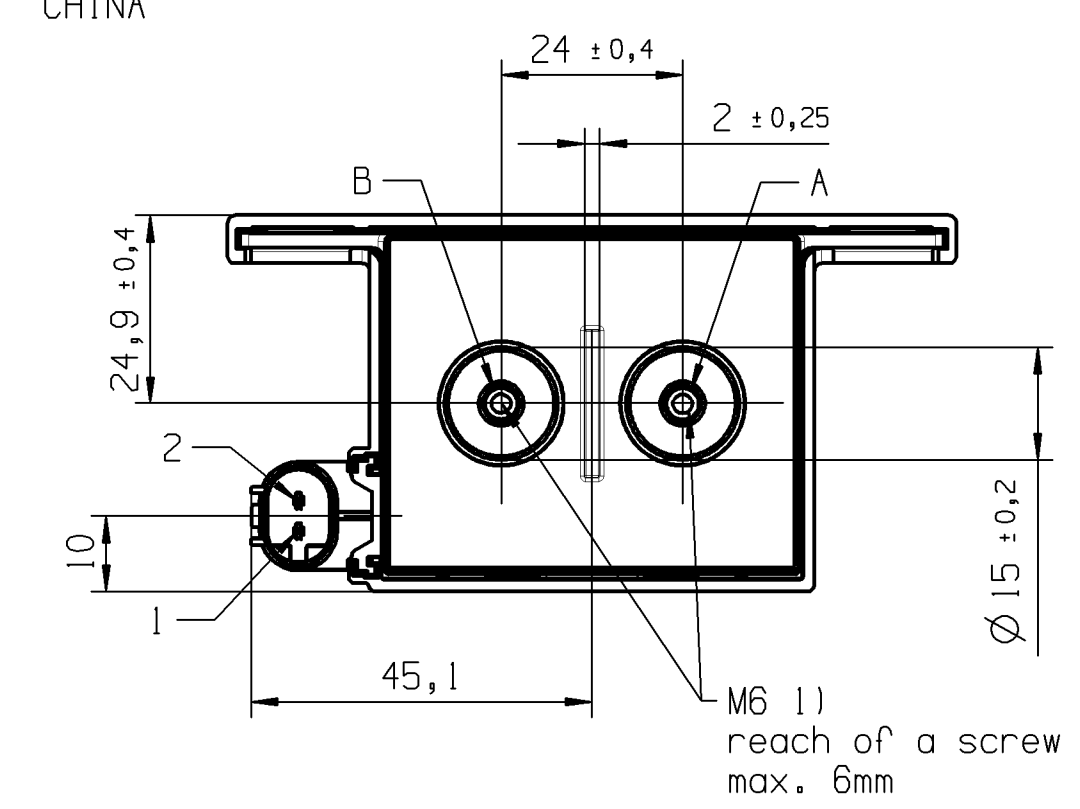
DETAIL Y
SCALE 5:1

DETAIL Z
SCALE 5:1



DATE CODE
FONT ARIAL
HEIGHT = 2,8
**YYWWDSL
** : MANUFACTURE LOCATION
++ EVORA
+ : CHINA
YY : YEAR
WW : WEEK
D : WORKING DAY
S : SHIFT
L : MANUFACTURE LINE
A : PORTUGAL
B : CHINA

LAND OF ORIGIN
FONT ARIAL
HEIGHT = 2,2mm
PORTUGAL
OR
CHINA



Notice :

- 1) PERMITTED TORQUE 6 Nm MAX. WHEN MIN. 4 TURNS
- 2) Socket Housing
TE Interface 2 Pos. MOS Code A ,
appropriate for Socket Housing 2 Pos. MOS,
TE PART NO. 1-967644-1
PRESCRIBED WIRE CROSS SECTION : 0,35mm² MIN
- 3) HEXAGON SOCKET BOTTOM HEAD SCREW EN ISO 7380 M6 WITH WASHER ISO 7090/ 7089

ALIAS		TE P/N	REV
V23720-A0001-A001		2-1904070-2	G
PROPRIETARY		CHANGES TO THIS DRAWING MUST BE DONE ONLY IN CAD	PAPER SIZE A1
THE REPRODUCTION, TRANSMISSION OR USE OF THIS DOCUMENT OR IT'S CONTENTS IS NOT PERMITTED WITHOUT EXPRESSED WRITTEN AUTHORITY. OFFENDERS WILL BE LIABLE FOR ALL DAMAGES. ALL RIGHTS, INCLUDING RIGHTS CREATED BY REGISTERED PATENT(S) GRANTED FOR A UTILITY MODEL OR DESIGN, ARE RESERVED.		FINISH	
APPLICABLE SPEC. :		DIMENSIONS APPLY	PLATING
TOLERANCE UNLESS SPECIFIED OTHERWISE		SCALE 1:1	WEIGHT 602g
ISO 8015		MATERIAL	---
ISO 2768-cL		DIMENSIONS IN MM	
DATE		NAME	PART NAME
G1	ECO-20-008236 2020-07-14 LAM	DWNL 2013-12-12 KOC	EVC 250, HV-RELAY WITH CONNECTOR
G	ECO-19-018184 2019-11-29 KOC	APP.	
F	ECO-19-001520 2019-02-01 KOC	REV.	
E	ECO-18-014483 2018-09-12 KOC	LOCATION	
C	ECO-17-012715 2017-08-30 KOC		
B2	ECO-17-004347 2017-03-28 KOC		DWG NO.
B	ECO-17-001568 2017-02-20 KOC		V23720-A0001-A001-CD
REV.	CHANGE ORDER	DATE	APP.



SHT. 1 OF 2