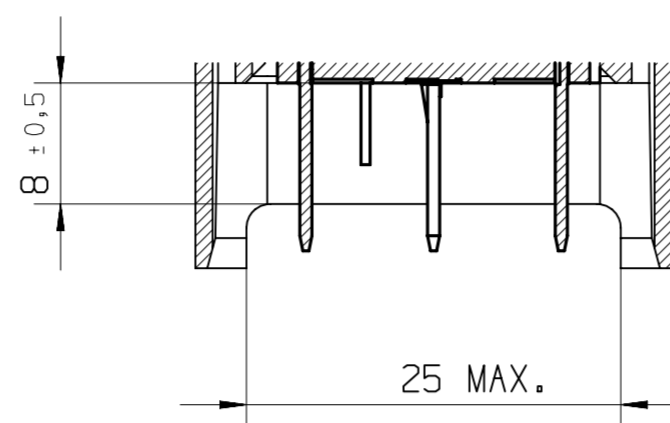
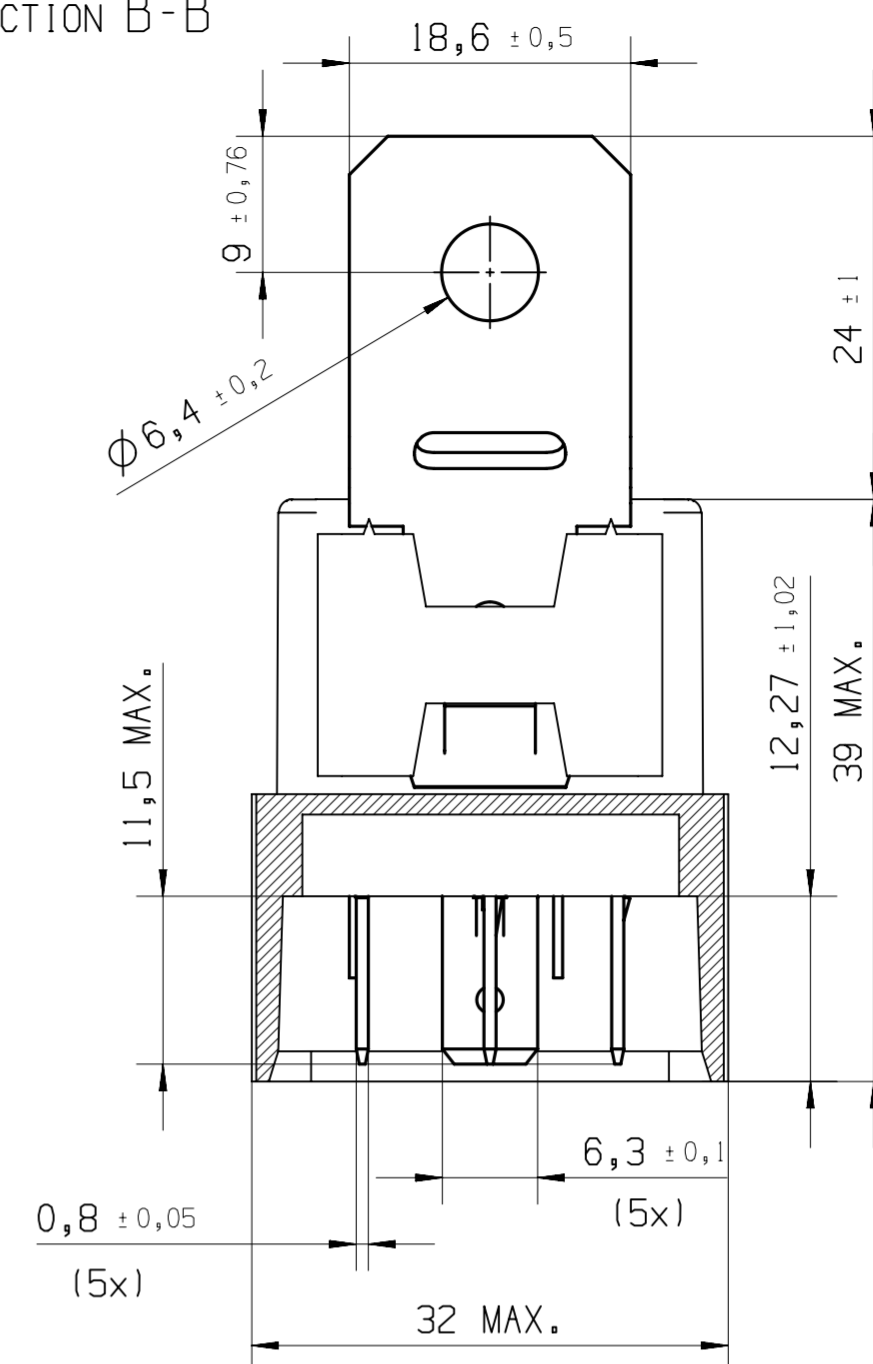


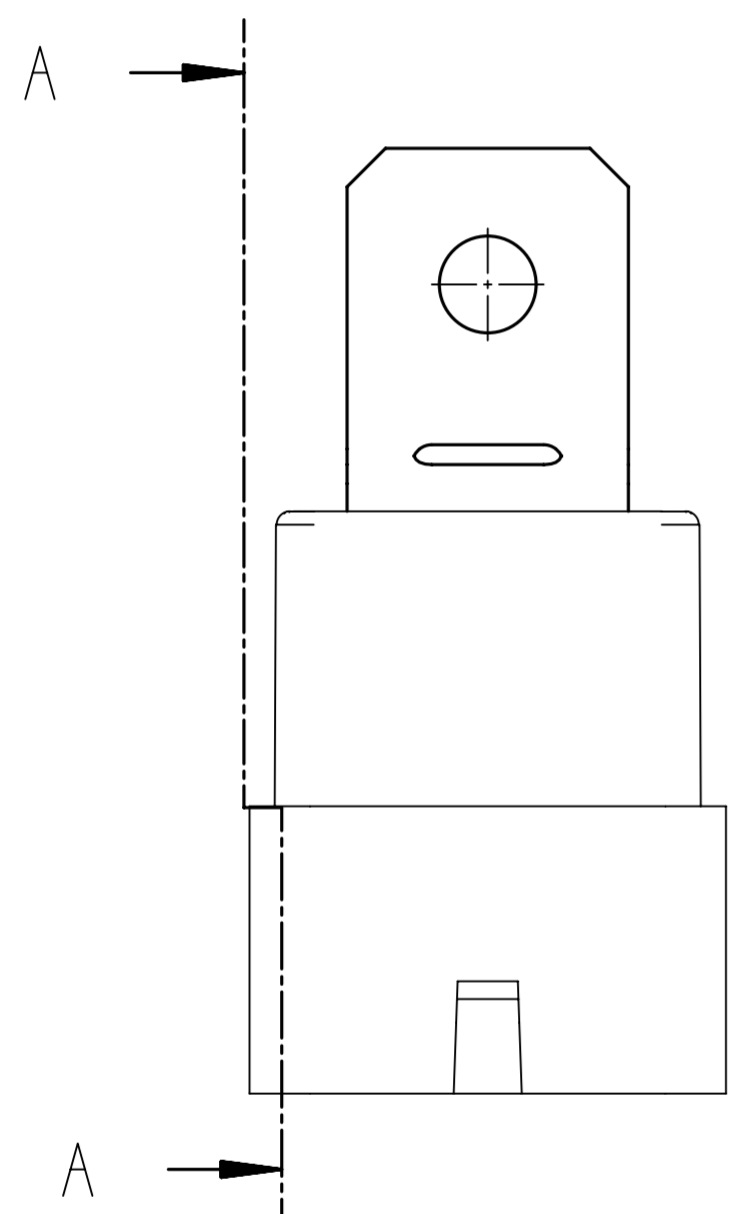
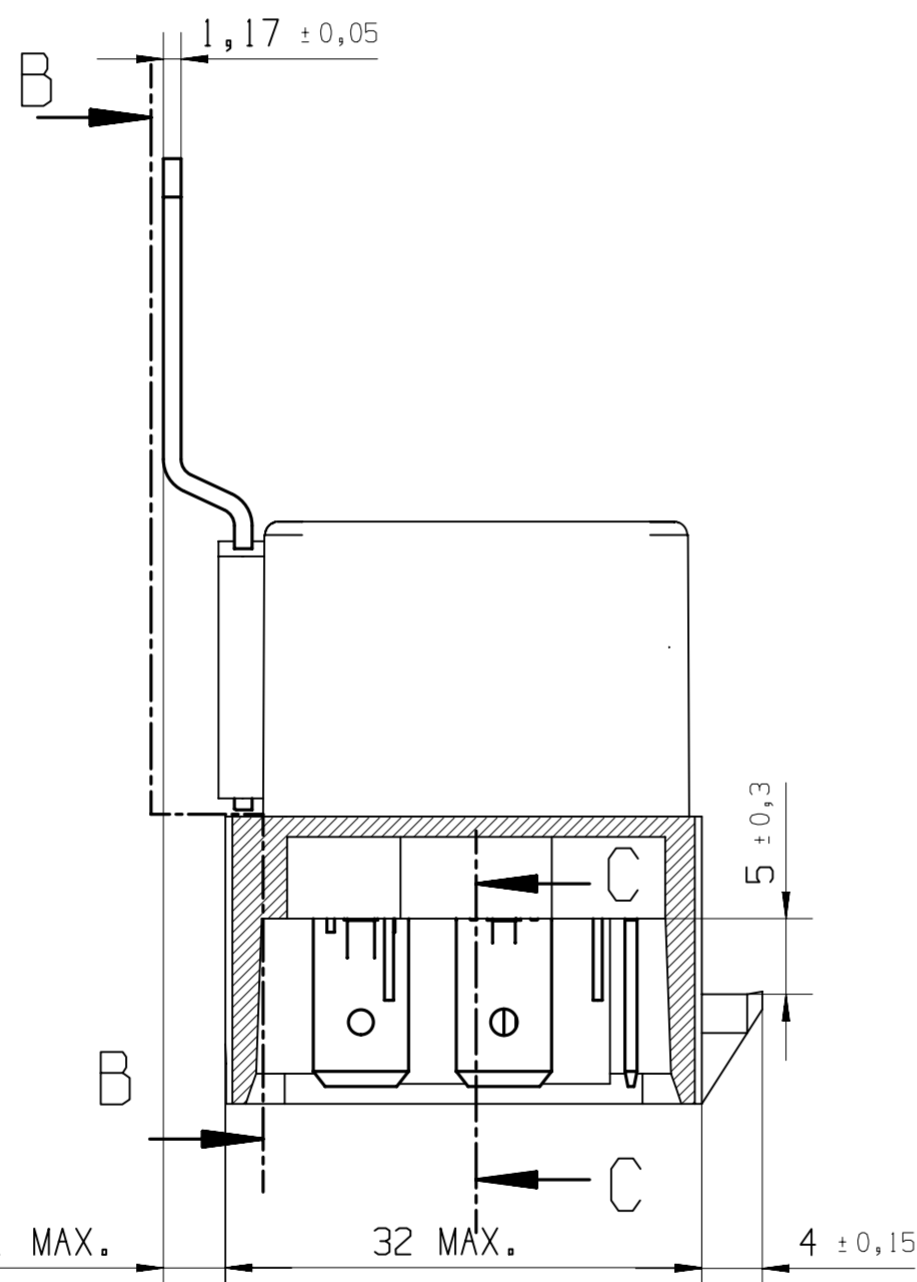
SECTION C-C



SECTION B-B

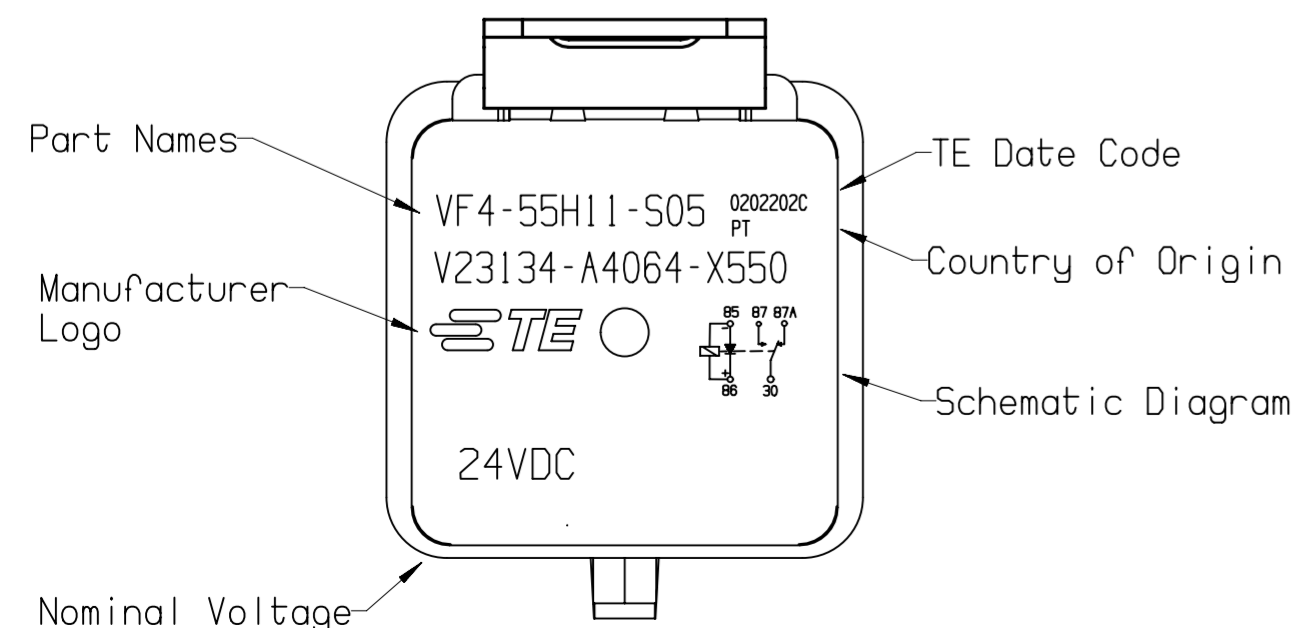


SECTION A-A



* TERMINAL LOCATIONS APPLY AT THE BASE OF THE TERMINAL

MARKING LASER MARKED OR WITH INK PRINTED OR INJECTION MOLDED TO INCLUDE:
MANUFACTURER'S NAME (LOGO), MANUFACTURER'S PART NUMBER,
SCHEMATIC, COIL VOLTAGE, COUNTRY OF ORIGIN AND DATE CODE



TE P/N	PART NAME
3-1904131-6	V23134-A4064-X550

PROPRIETARY THE REPRODUCTION, TRANSMISSION OR USE OF THIS DOCUMENT OR IT'S CONTENTS IS NOT PERMITTED WITHOUT EXPRESSED WRITTEN AUTHORITY. OFFENDERS WILL BE LIABLE FOR ALL DAMAGES. ALL RIGHTS, INCLUDING RIGHTS CREATED BY REGISTERED PATENT(S) GRANTED FOR A UTILITY MODEL OR DESIGN, ARE RESERVED.				CHANGES TO THIS DRAWING MUST BE DONE ONLY IN CAD	PAPER SIZE A2
APPLICABLE SPEC.:				FINISH	
Replacement for VF4-55H11-S05		TOLERANCE UNLESS SPECIFIED OTHERWISE	DIMENSIONS IN MM	DIMENSIONS APPLY	PLATING
SCALE 2:1		WEIGHT		MATERIAL	
DATE NAME DWN. 26OCT2016 L.Sandoval APP. REV.				PART NAME POWER F RELAY CHANGE OVER	
LOCATION PE EVORA				DWG NO. C - V23134-A4064-X550	
B ECO-19-010387 08FEB2019 L.Sand	A1 Initial Release 30NOV2016 L.Sand			SHT. 1 OF 1	
A --- 07NOV2016 L.Sand	REV. CHANGE ORDER DATE APP.		CUSTOMER DRAWING		