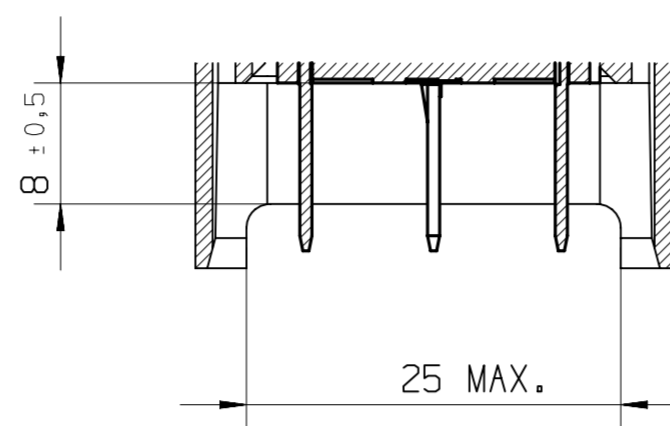
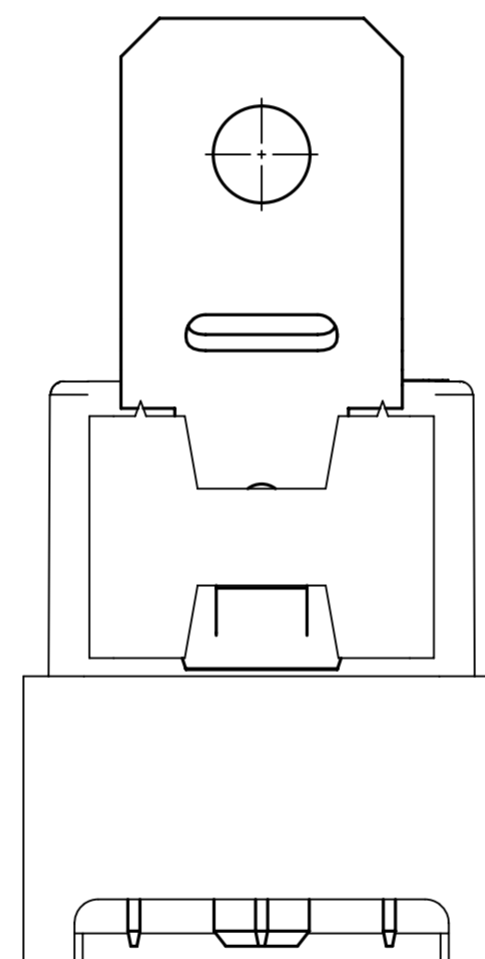
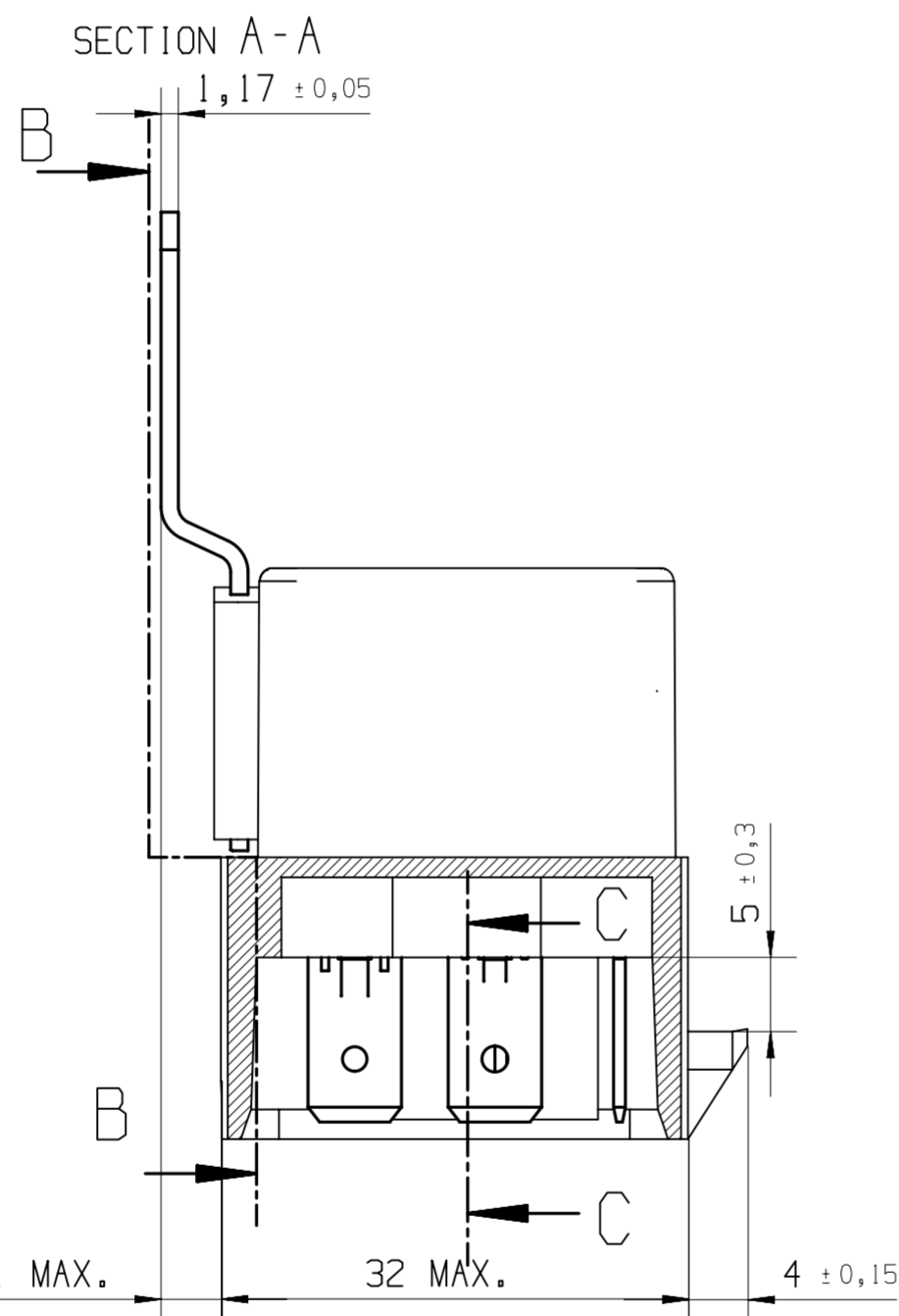
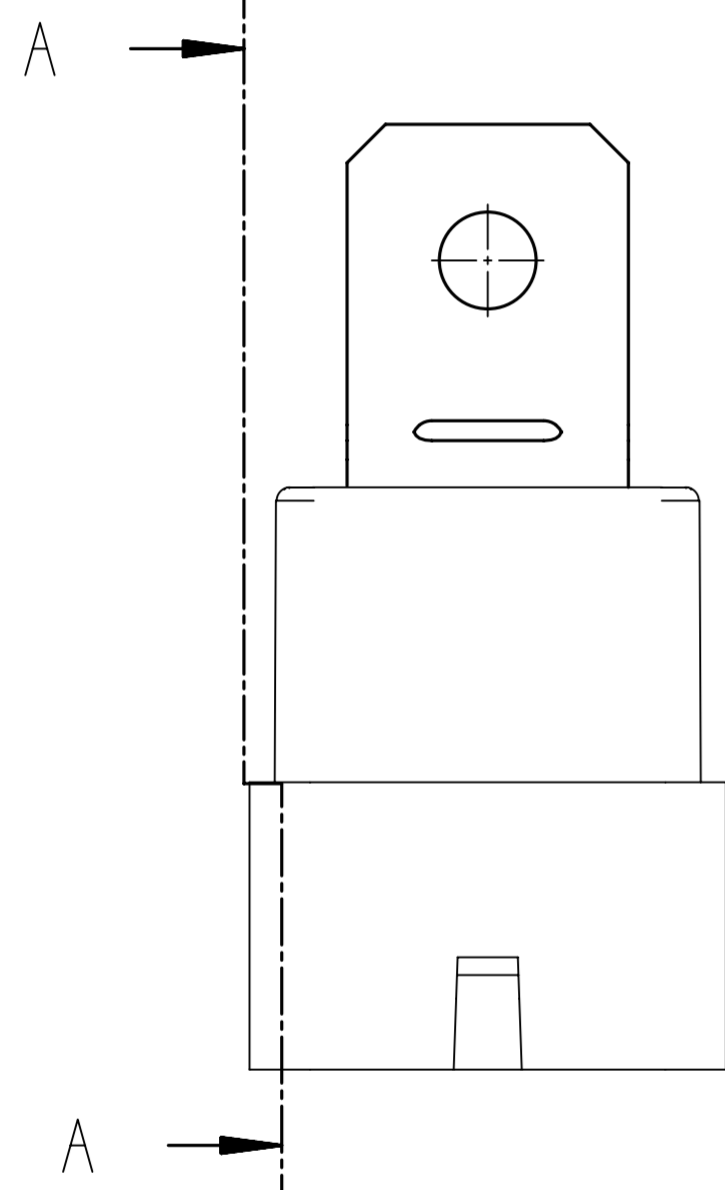
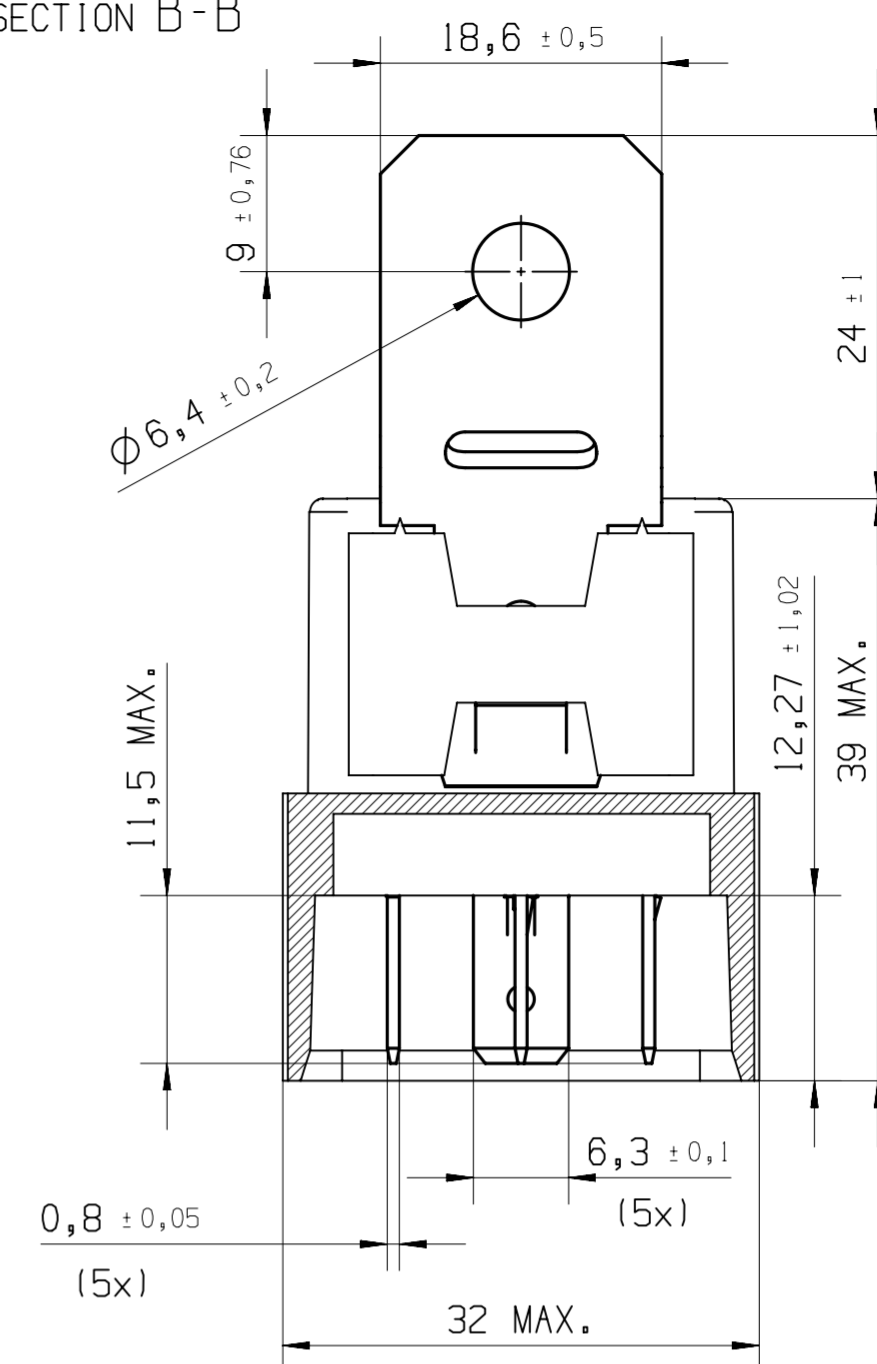


SECTION C-C

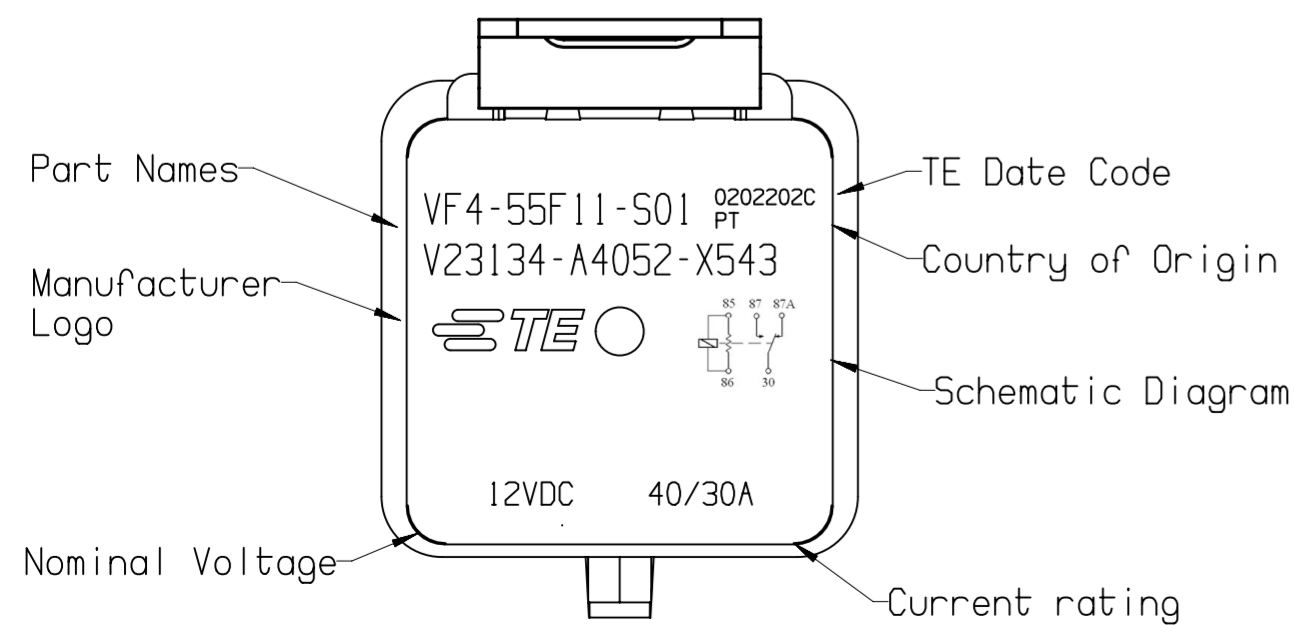


SECTION B-B

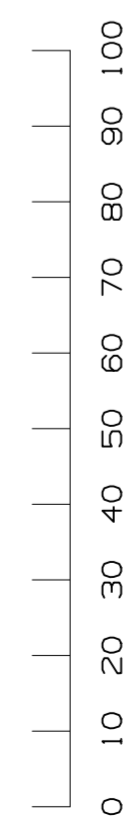


\* TERMINAL LOCATIONS APPLY AT THE BASE OF THE TERMINAL

MARKING LASER MARKED OR WITH INK PRINTED OR INJECTION MOLDED TO INCLUDE: MANUFACTURER'S NAME, MANUFACTURER'S PART NUMBER, SCHEMATIC, COIL VOLTAGE, CONTACT RATING, COUNTRY OF ORIGIN AND DATE CODE



TE P/N	PART NAME
2-1904131-9	V23134-A4052-X543



PROPRIETARY THE REPRODUCTION, TRANSMISSION OR USE OF THIS DOCUMENT OR IT'S CONTENTS IS NOT PERMITTED WITHOUT EXPRESSED WRITTEN AUTHORITY. OFFENDERS WILL BE LIABLE FOR ALL DAMAGES. ALL RIGHTS, INCLUDING RIGHTS CREATED BY REGISTERED PATENT(S) GRANTED FOR A UTILITY MODEL OR DESIGN, ARE RESERVED.		CHANGES TO THIS DRAWING MUST BE DONE ONLY IN CAD	PAPER SIZE <b>A2</b>
APPLICABLE SPEC.:		FINISH	
Replacement for VF4-55F11-S01		DIMENSIONS APPLY	PLATING
TOLERANCE UNLESS SPECIFIED OTHERWISE	DIMENSIONS IN MM	SCALE <b>2:1</b>	WEIGHT
DATE NAME		PART NAME	
DWN. 19OCT2016	L.Sandoval	<b>POWER F RELAY CHANGE OVER</b>	
APP.		DWG NO. <b>C - V23134-A4052-X543</b>	
REV. ---	21OCT2016	SHT. 1 OF 1	
REV. CHANGE ORDER	DATE APP.	CUSTOMER DRAWING	

