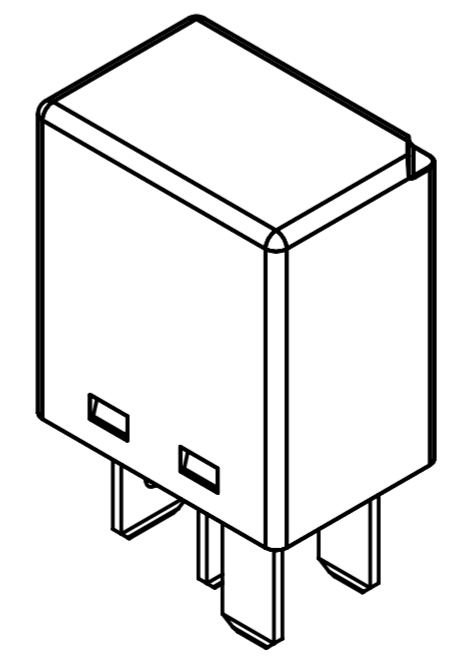
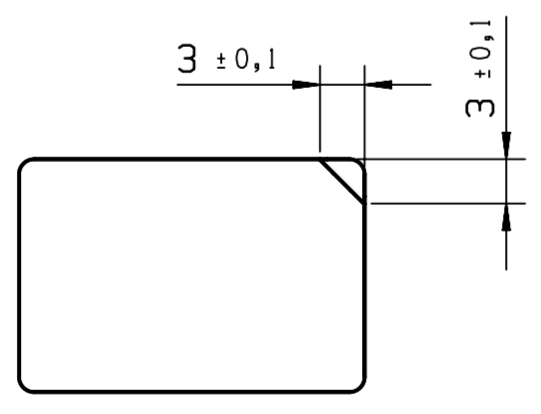
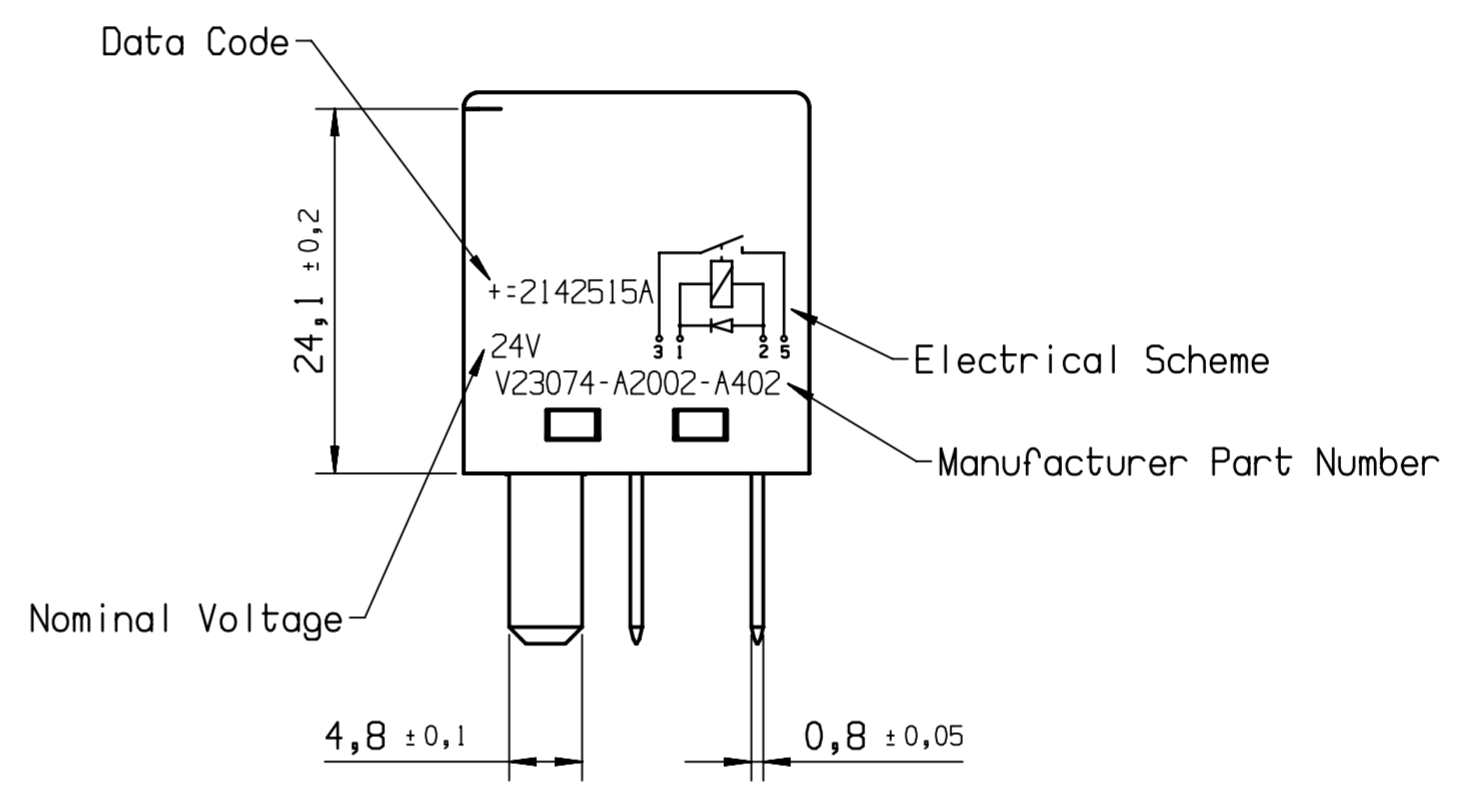
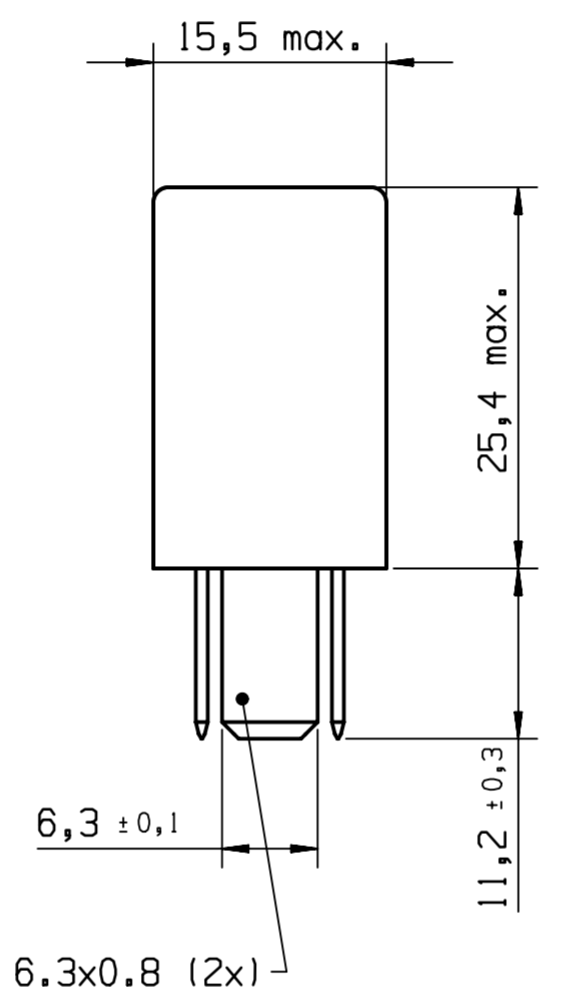
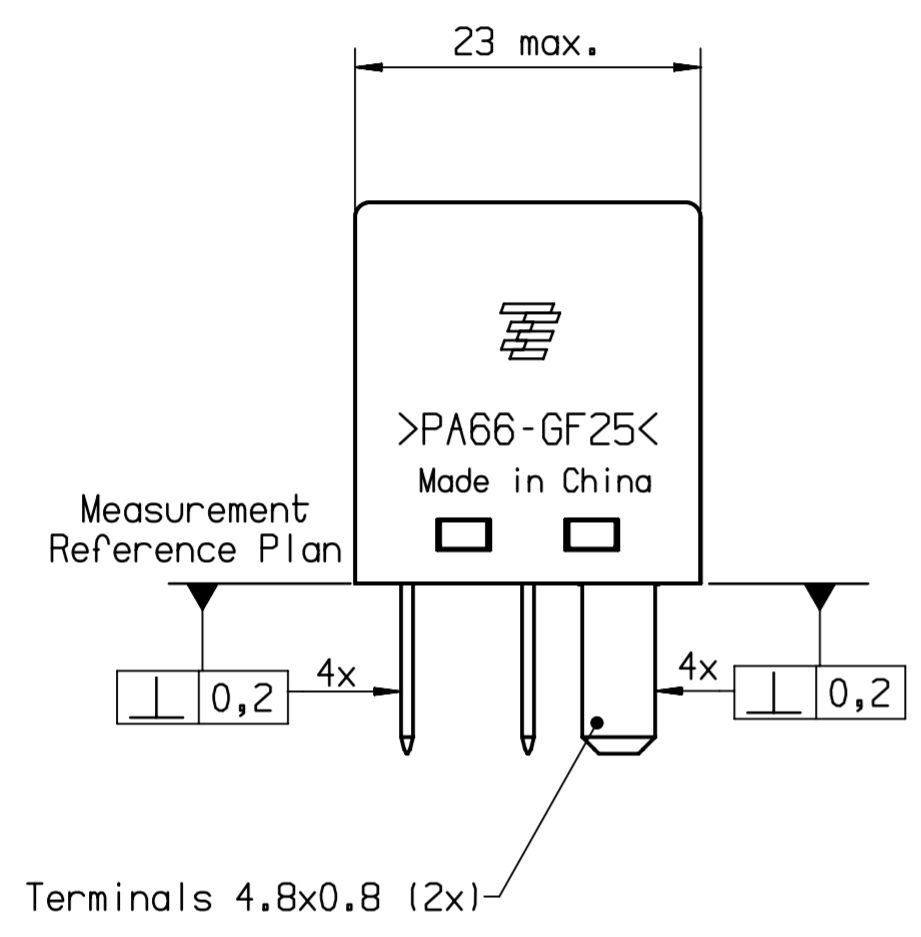
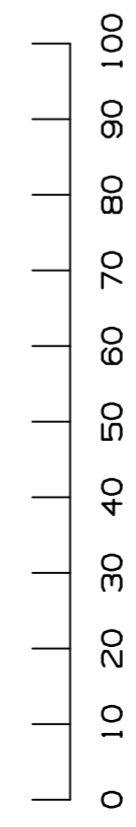


Positional Tolerance:  $\varnothing 0,15$



MANUFACTURER PART NUMBER	PART NUMBER
V23074-A2002-A402-SZ-CBOX	6-1393292-2



PROPRIETARY THE REPRODUCTION, TRANSMISSION OR USE OF THIS DOCUMENT OR IT'S CONTENTS IS NOT PERMITTED WITHOUT EXPRESSED WRITTEN AUTHORITY. OFFENDERS WILL BE LIABLE FOR ALL DAMAGES. ALL RIGHTS, INCLUDING RIGHTS CREATED BY REGISTERED PATENT(S) GRANTED FOR A UTILITY MODEL OR DESIGN, ARE RESERVED.				CHANGES TO THIS DRAWING MUST BE DONE ONLY IN CAD	PAPER SIZE <b>A2</b>
APPLICABLE SPEC.:				FINISH	
DIMENSIONS UNLESS SPECIFIED OTHERWISE Tol. ISO 8015 ISO 2768 - v1				DIMENSIONS IN MM	SCALE <b>2:1; 5:1</b> WEIGHT <b>18g</b>
MATERIAL				PART NAME <b>Dimension Drawing Micro A</b>	
DATE 03FEB2021 NAME HFrancisco				DWG NO. <b>V23074-A2002-A402</b>	
LOCATION TE PE Evora				SHT. <b>1</b> OF 1	
ECO-21-004021 26MAR2021 HMF				CLASS 1 CUSTOMER DRAWING	
Initial Version 03FEB2021 HMF				REV. CHANGE ORDER DATE APP.	