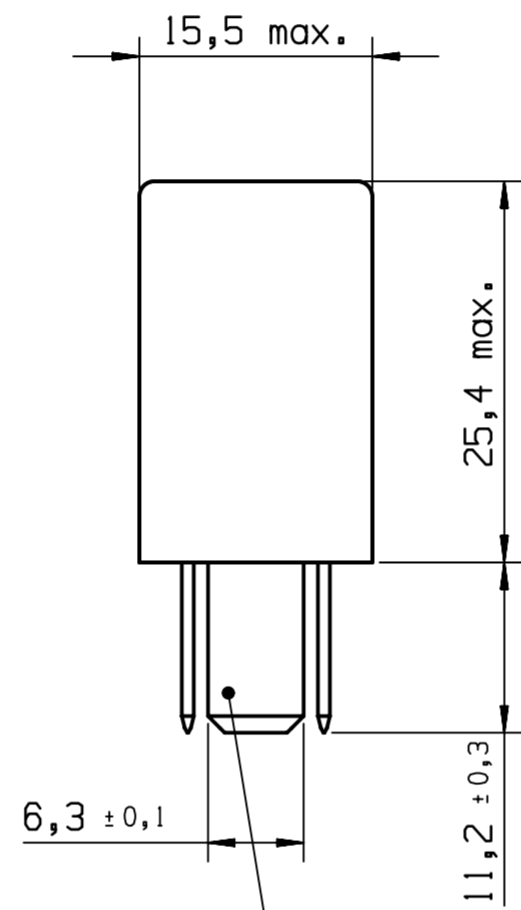
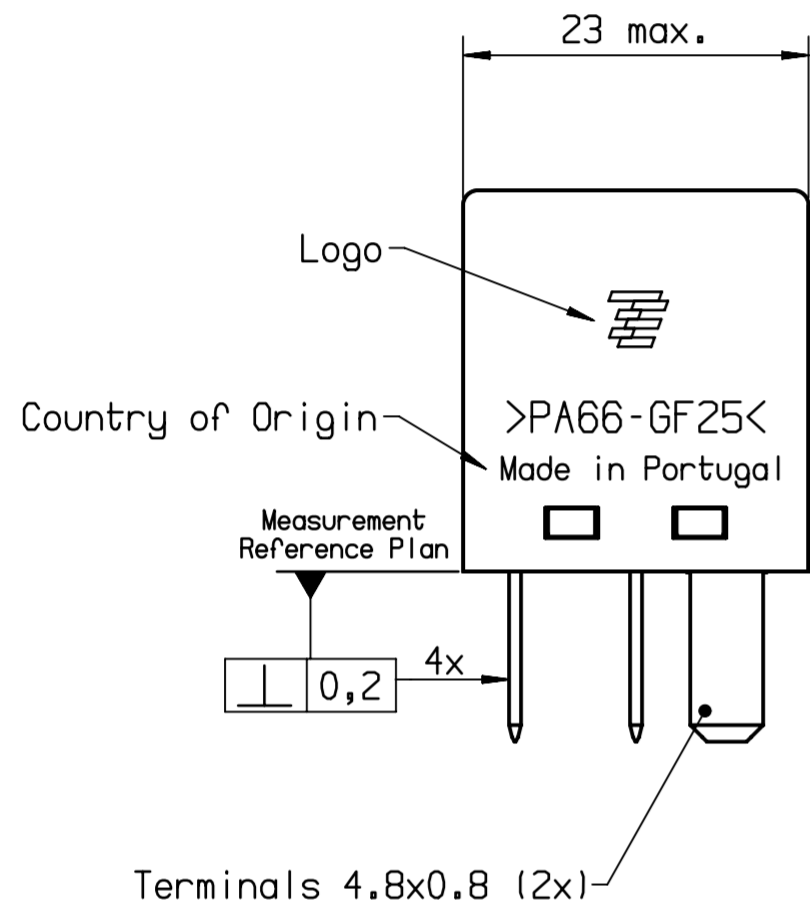
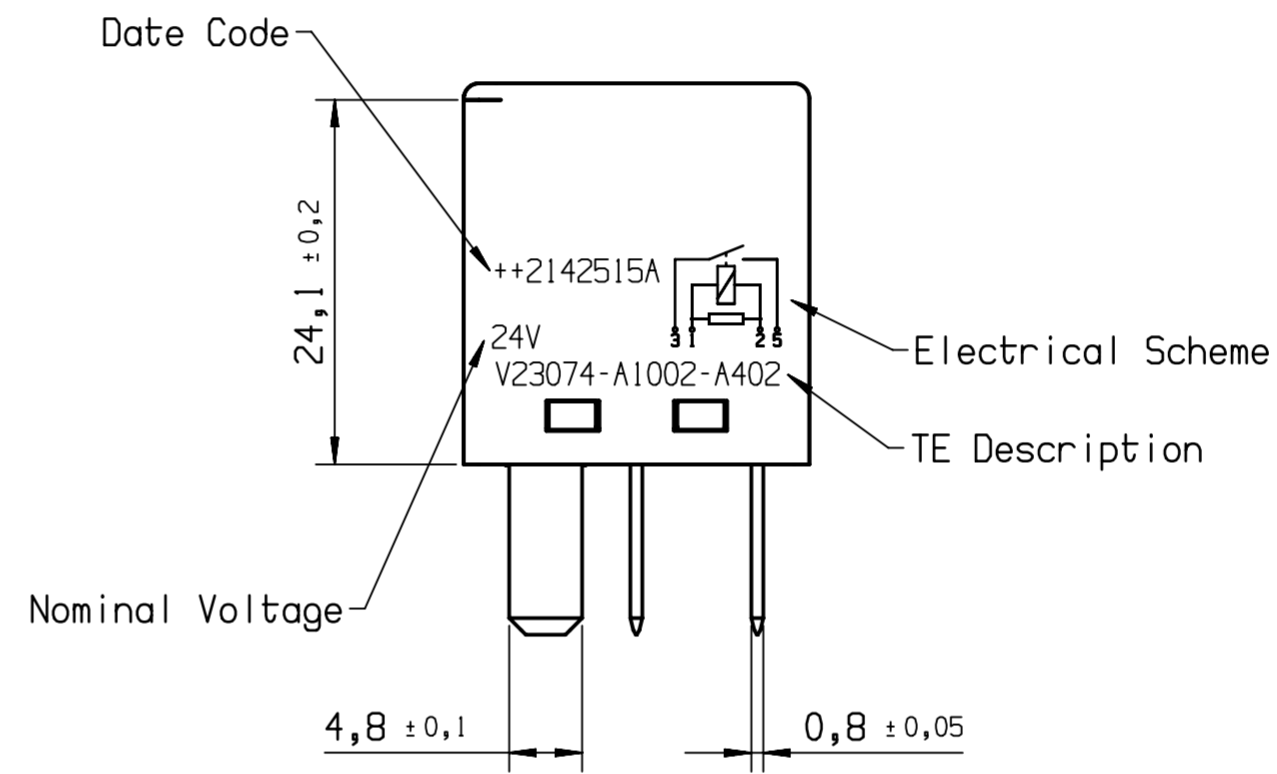


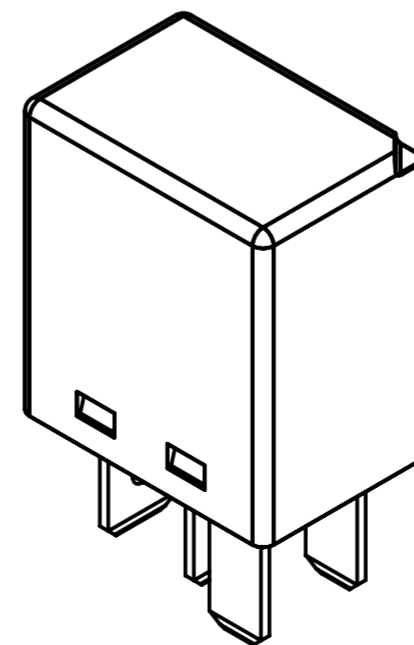
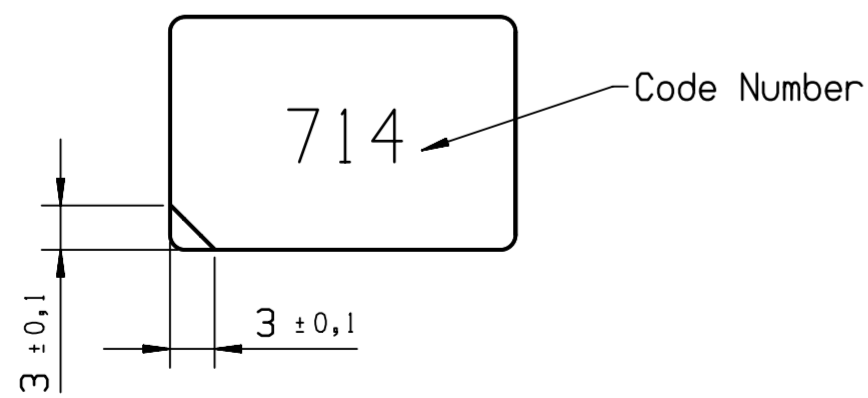
Positional Tolerance: $\oplus 0,15$



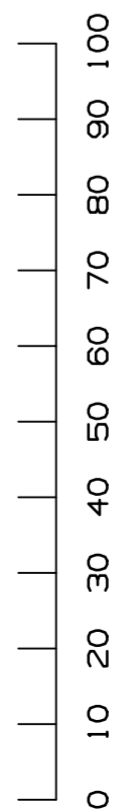
Terminals 6.3x0.8 (2x)



View From the Topside (Rotated 180°)



| | |
|-----------|-------------------|
| TE PN | TE Description |
| 2359392-1 | V23074-A1002-A402 |



| | | | | | |
|--|--|--|--|--|-------------------------|
| PROPRIETARY THE REPRODUCTION, TRANSMISSION OR USE OF THIS DOCUMENT OR IT'S CONTENTS IS NOT PERMITTED WITHOUT EXPRESSED WRITTEN AUTHORITY. OFFENDERS WILL BE LIABLE FOR ALL DAMAGES. ALL RIGHTS, INCLUDING RIGHTS CREATED BY REGISTERED PATENT(S) GRANTED FOR A UTILITY MODEL OR DESIGN, ARE RESERVED. | | | | CHANGES TO THIS DRAWING MUST BE DONE ONLY IN CAD | PAPER SIZE A2 |
| APPLICABLE SPEC.: | | | | FINISH | |
| DIMENSIONS APPLY | | | | PLATING | |
| TOLERANCE UNLESS SPECIFIED OTHERWISE Tol. ISO 8015 ISO 2768 - v1 | | | | SCALE 2:1; 5:1 | WEIGHT 18g |
| DIMENSIONS IN MM | | | | MATERIAL | |
| DATE 04JUN2019 | | | | PART NAME Dimension Drawing Micro A | |
| NAME HFrancisco | | | | DWG NO. V23074-A1002-A402-CD | |
| LOCATION PE Evora | | | | SHT. 1 | |
| APP. HMF | | | | OF 1 | |
| REV. CHANGE ORDER | | | | CUSTOMER DRAWING | |
| DATE 26MAR2021 | | | | CLASS 1 | |
| APP. HMF | | | | STE connectivity | |