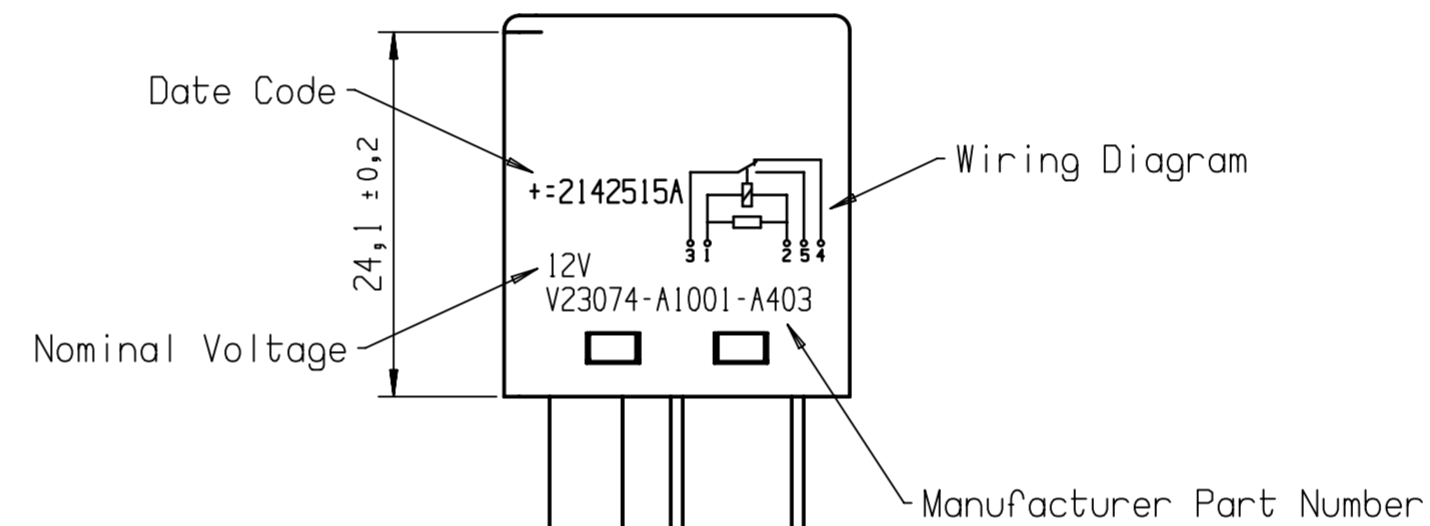
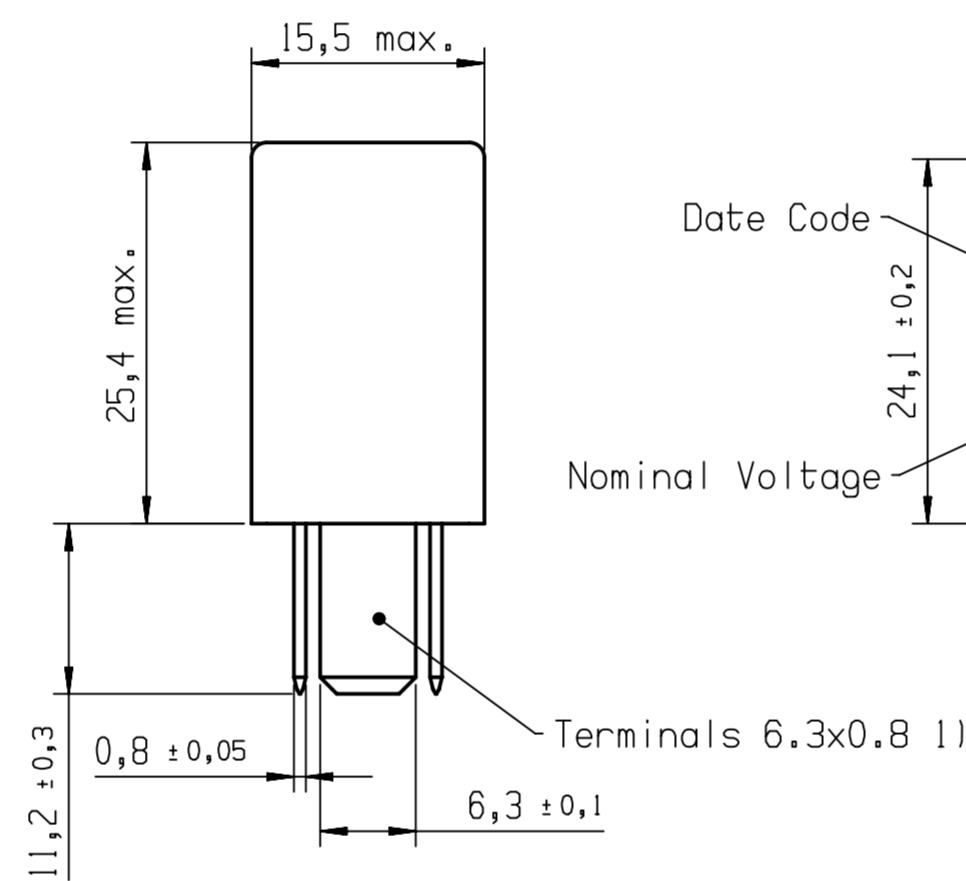
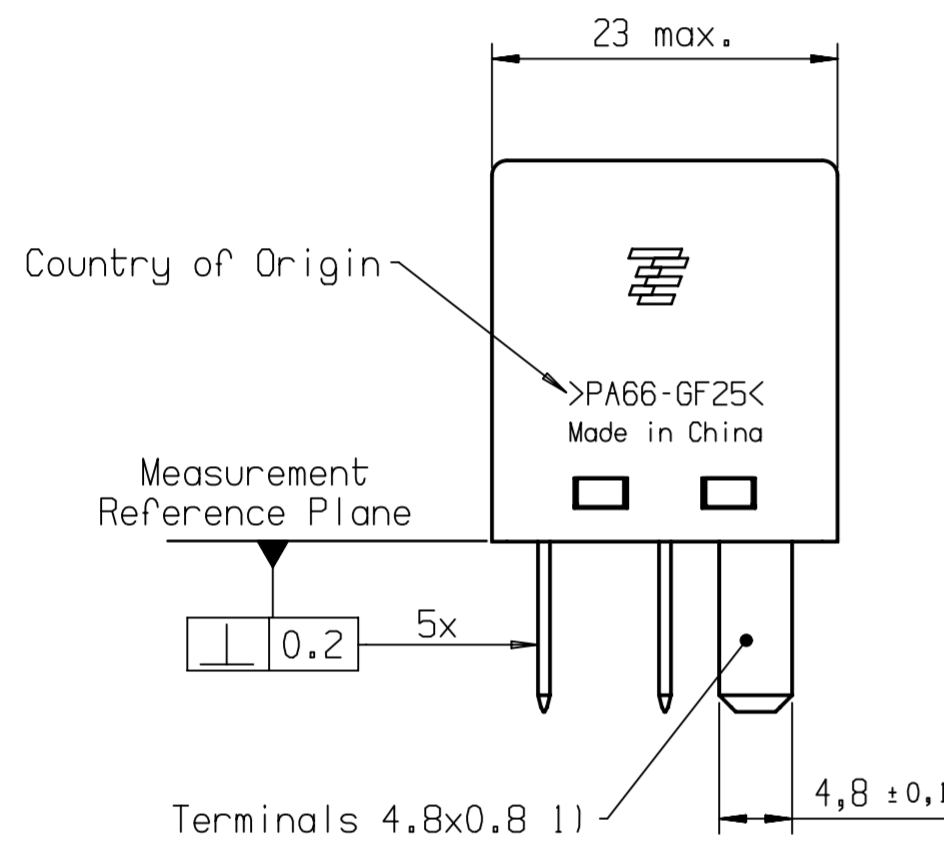
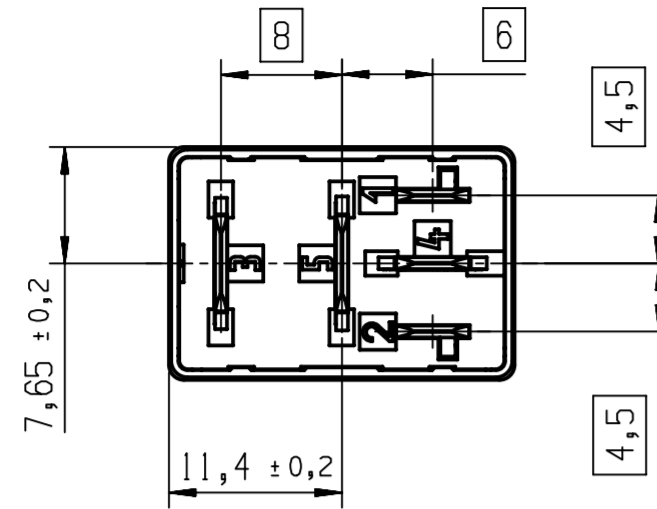


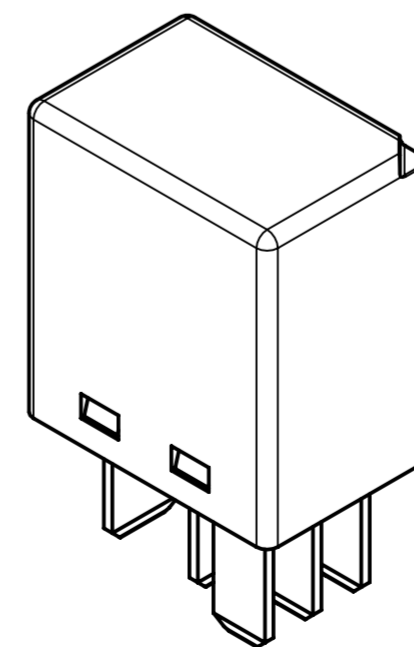
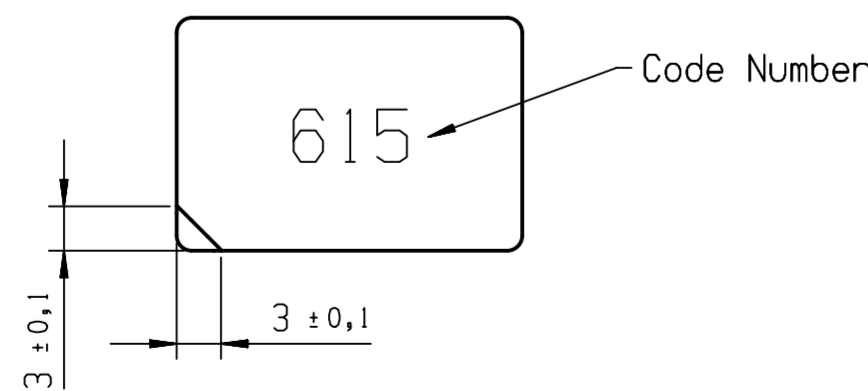
Positional Tolerance: $\oplus 0.15$

Terminal Layout
Bottom View

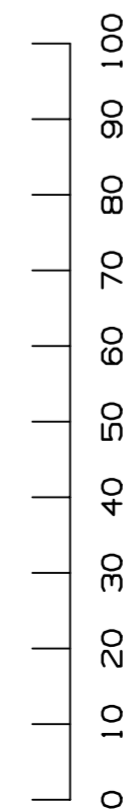


Terminal Shape (1,2,4) with 4.8x0.8
Terminal Shape (3,5) with 6.3x0.8
Cover colour: Black

View From the Topside
(Rotated 180°)



Manufacturer Part Number	Part Number
V23074-A1001-A403-SZ-CBOX	8-1393292-4



<p>PROPRIETARY</p> <p>THE REPRODUCTION, TRANSMISSION OR USE OF THIS DOCUMENT OR IT'S CONTENTS IS NOT PERMITTED WITHOUT EXPRESSED WRITTEN AUTHORITY. OFFENDERS WILL BE LIABLE FOR ALL DAMAGES. ALL RIGHTS, INCLUDING RIGHTS CREATED BY REGISTERED PATENT(S) GRANTED FOR A UTILITY MODEL OR DESIGN, ARE RESERVED.</p>				<p>CHANGES TO THIS DRAWING MUST BE DONE ONLY IN CAD</p>		<p>PAPER SIZE</p> <p>A2</p>	
<p>APPLICABLE SPEC.:</p>				<p>FINISH</p>			
<p>TOLERANCE UNLESS SPECIFIED OTHERWISE</p> <p>ToI. ISO 8015</p> <p>ISO 2768 - v1</p>				<p>SCALE</p> <p>2:1</p>		<p>PLATING</p> <p>WEIGHT</p>	
<p>DIMENSIONS IN MM</p>				<p>MATERIAL</p> <p>---</p>			
<p>DATE</p> <p>24APR2012</p>				<p>PART NAME</p> <p>Micro A Relay</p>			
<p>NAME</p> <p>Hfranc.</p>				<p>Dimension Drawing</p>			
<p>ECO-21-004021</p> <p>26MAR2021</p> <p>HMF</p>				<p>DWG NO.</p> <p>V23074-A1001-A403</p>			
<p>ECO-17-015150</p> <p>16OCT2017</p> <p>HMF</p>				<p>SHT.</p> <p>1</p>			
<p>ECO-16-007594</p> <p>19MAY2016</p> <p>HMF</p>				<p>OF 1</p>			
<p>ECO-16-006646</p> <p>29APR2016</p> <p>HMF</p>				<p>CUSTOMER DRAWING</p>			
<p>ECO-15-013609</p> <p>22SEP2015</p> <p>HMF</p>				<p>CLASS 1</p>			
<p>INITIAL VERSION</p> <p>26APR2012</p> <p>HMF</p>				<p>STE</p>			
<p>CHANGE ORDER</p> <p>DATE</p> <p>APP.</p>				<p>connectivity</p>			