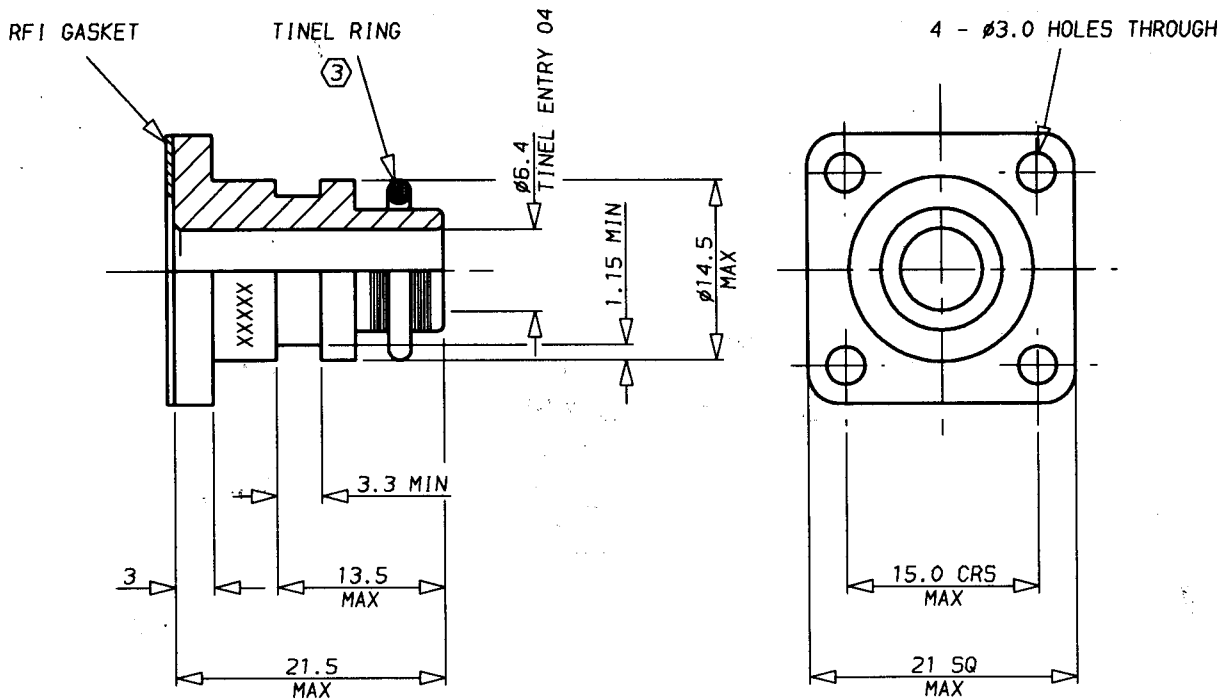


ISSUE	DESCRIPTION	DRAWN	DATE	APPR
A	INITIAL ISSUE	IRT	APR 98	KJW



FEEDTHROUGH - TINEL-LOCK

NOTES

1. THIS PRODUCT IS DESIGNED TO TERMINATE A BRAIDED CABLE SHIELD AND A HEAT SHRINKABLE LIPPED BOOT.
2. SEE SHEET 2 FOR PART NUMBERING SYSTEM AND ORDERING INFORMATION.
- ③ SEE DRAWING TR FOR DETAIL ON TINEL-LOCK RING. RINGS ARE DESIGNED TO BE HEATED ELECTRICALLY. ALL RINGS ARE MARKED WITH THERMOCHROMIC PAINT WHICH CHANGES COLOUR WHEN INSTALLATION TEMPERATURE IS REACHED.
4. FEEDTHROUGH TO BE PERMANENTLY MARKED WITH CODE IDENTIFICATION NUMBER AND PART NUMBER, (e.g. 06090 TX5119 AB00-0804A1).
5. TINEL-LOCK RING IS TO BE SPECIFIED IN PART NUMBER WHEN ORDERING.
6. FOR ALTERNATIVE MATERIALS/FINISHES - CONTACT RAYCHEM.

SPECIFICATION CONTROL DRAWING		Raychem RAYCHEM LIMITED FARADAY ROAD DORCAN, SWINDON, SN3 5HH WILTS. ENGLAND	
DO NOT SCALE THIS DRAWING		TITLE FEEDTHROUGH - TINEL-LOCK	
DRAWN	IRT	DATE	APR 98
CHECKED	KJW	DATE	APR 98
APPROVED	KJW	DATE	APR 98
PROJECT NO	85032		
THIS DRAWING AND THE INFORMATION SET FORTH HEREON ARE THE PROPERTY OF RAYCHEM AND ARE TO BE HELD IN TRUST AND CONFIDENCE. PUBLICATION, DUPLICATION, DISCLOSURE OR USE FOR ANY OTHER PURPOSE NOT EXPRESSLY AUTHORIZED IN WRITING BY RAYCHEM IS PROHIBITED.		CODE IDENT NUMBER	DRAWING NUMBER TX5119
		ISSUE A	
		SHEET 1 OF 2	

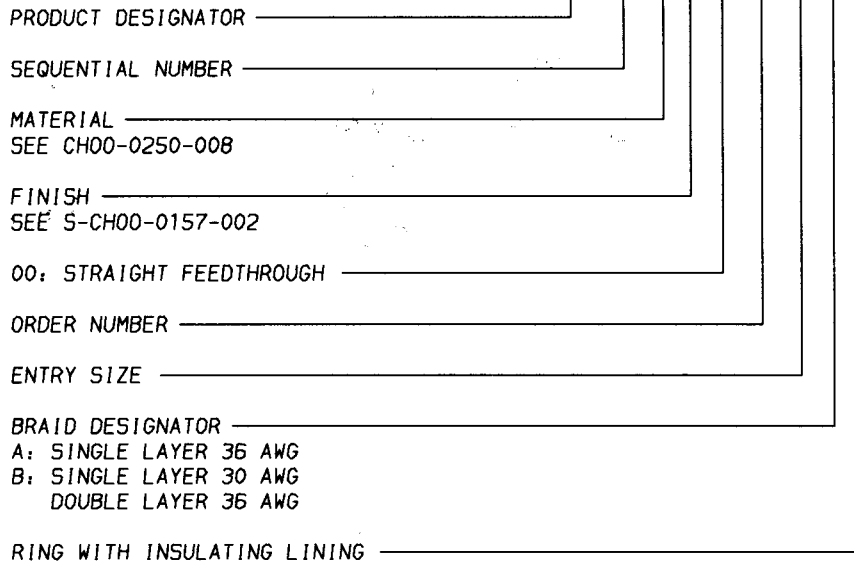
TX51195CD-1

ELECTRONICS OEM CONTROL STAMP. IF THIS STAMP IS RED, THIS IS A CONTROLLED DOCUMENT. IF BLACK, IT IS AN UNCONTROLLED COPY. CHECK FOR REVISION.

ISSUE	DESCRIPTION	DRAWN	DATE	APPR
A	INITIAL ISSUE	IRT	APR 98	KJW

PART NUMBERING SYSTEM

TXS 119-A B 00-08 04 A I



SPECIFICATION CONTROL DRAWING

Raychem

RAYCHEM LIMITED
 FARADAY ROAD
 DORCAN, SWINDON, SN3 5HH
 WILTS. ENGLAND

DO NOT SCALE
 THIS DRAWING

THIS DRAWING AND THE INFORMATION SET FORTH HEREON ARE THE PROPERTY OF RAYCHEM AND ARE TO BE HELD IN TRUST AND CONFIDENCE. PUBLICATION, DUPLICATION, DISCLOSURE OR USE FOR ANY OTHER PURPOSE NOT EXPRESSLY AUTHORISED IN WRITING BY RAYCHEM IS PROHIBITED.

TITLE

FEEDTHROUGH - TINEL-LOCK

DRAWN	IRT	DATE APR 98
CHECKED	KJW	APR 98
APPROVED	KJW	APR 98
PROJECT NO	85112	

CODE IDENT NUMBER	DRAWING NUMBER	ISSUE
06090	TXS119	A
SHEET 2 OF 2		

ELECTRONICS OEM CONTROL STAMP. IF THIS STAMP IS RED, THIS IS A CONTROLLED DOCUMENT. IF BLACK, IT IS AN UNCONTROLLED COPY. CHECK FOR REVISION.