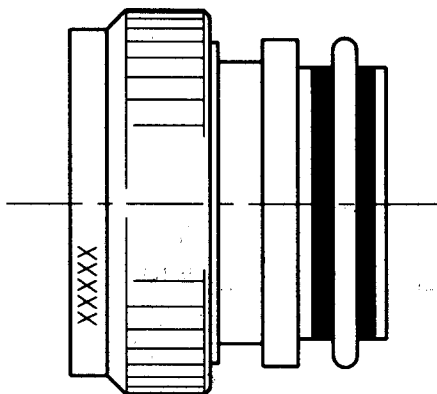



ISSUE	DESCRIPTION	DRAWN	DATE	APPR
A	INITIAL ISSUE	IRT	SEP 98	KJW



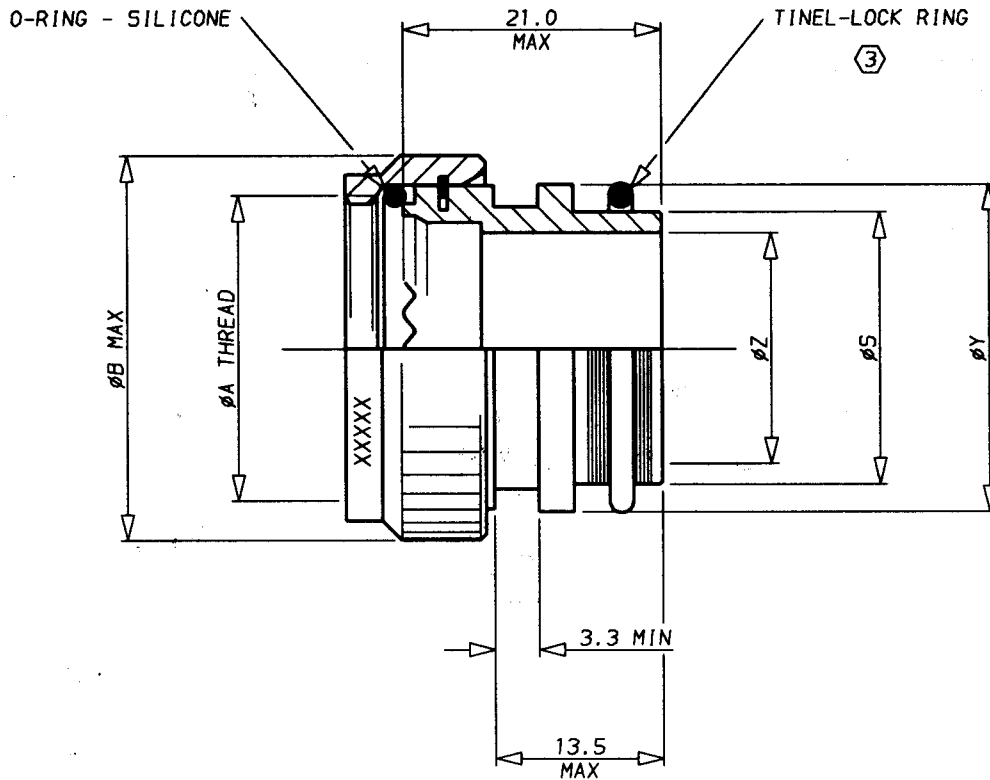
TINEL ADAPTOR ASSEMBLY - 00

**NOTES**

1. THIS PRODUCT IS DESIGNED TO TERMINATE A BRAIDED CABLE SHIELD AND A HEAT SHRINKABLE LIPPED BOOT TO A CONNECTOR - SEE NOTE 6.
- ② SEE SHEET 2 FOR TABLES OF DIMENSIONS, AND SHEET 3 FOR PART NUMBERING SYSTEM AND ORDERING INFORMATION.
- ③ SEE DRAWING TR FOR DETAIL ON TINEL-LOCK RING. RINGS ARE DESIGNED TO BE HEATED ELECTRICALLY. ALL RINGS ARE MARKED WITH THERMOCHROMIC PAINT WHICH CHANGES COLOUR WHEN INSTALLATION TEMPERATURE IS REACHED.
4. ADAPTOR TO BE PERMANENTLY MARKED WITH CODE IDENTIFICATION NUMBER AND PART NUMBER LESS RING DESIGNATOR. (e.g. 06090 TX5112 AB00-160B). RING SHALL BEAR NO MARKING.-
5. TINEL-LOCK RING IS TO BE SPECIFIED IN PART NUMBER WHEN ORDERING.
6. ADAPTOR MATES TO MIL-C-38999 SERIES I AND II, CLASS E AND T, MS27466-68, MS27472-74, MS27479-81, MS27484, MS27497, MS27652-53 AND MS27656 CONNECTORS.
7. FOR ALTERNATIVE MATERIALS/FINISHES - CONTACT RAYCHEM.

SPECIFICATION CONTROL DRAWING			 RAYCHEM LIMITED FARADAY ROAD DORCAN, SWINDON, SN3 5HH WILTS. ENGLAND	
DO NOT SCALE THIS DRAWING		THIS DRAWING AND THE INFORMATION SET FORTH HEREON ARE THE PROPERTY OF RAYCHEM AND ARE TO BE HELD IN TRUST AND CONFIDENCE. PUBLICATION, DUPLICATION, DISCLOSURE OR USE FOR ANY OTHER PURPOSE NOT EXPRESSLY AUTHORISED IN WRITING BY RAYCHEM IS PROHIBITED.	TITLE TINEL ADAPTOR ASSEMBLY - 00	
DRAWN	IRT		DATE	SEP 98
CHECKED	KJW		DATE	SEP 98
APPROVED	KJW		DATE	SEP 98
PROJECT NO	85112		CODE IDENT NUMBER	DRAWING NUMBER TX5112
			06090	ISSUE A
			SHEET 1 OF 3	

ISSUE	DESCRIPTION	DRAWN	DATE	APPR
A	INITIAL ISSUE	IRT	SEP 98	KJW



ORDER NUMBER	ENTRY SIZE	ØA THREAD RH CLASS 2B	ØB MAX
08	04	0.4375"-28 UNEF	18.3
10	06	0.5625"-24 UNEF	21.6
12	08	0.6875"-24 UNEF	24.6
14	10	0.8125"-20 UNEF	27.9
16	12	0.9375"-20 UNEF	31.0
18	12	1.0625"-18 UNEF	34.3
20	14	1.1875"-18 UNEF	37.3
22	16	1.3125"-18 UNEF	40.6
24	18	1.4375"-18 UNEF	43.7

ENTRY SIZE	ØZ	ØS	ØY
04	6.35	9.39/ 9.56	13.97
05	7.92	10.97/11.13	15.54
06	9.53	12.57/12.73	17.14
07	11.10	14.12/14.31	18.71
08	12.70	15.72/15.91	20.32
10	15.87	18.84/19.11	23.49
12	19.05	22.02/22.28	26.67
14	22.23	25.17/25.46	29.84
16	25.40	28.34/28.63	33.02
18	28.57	31.52/31.81	36.19
20	31.75	34.69/34.98	39.37

SPECIFICATION CONTROL DRAWING

**Raychem**

RAYCHEM LIMITED  
FARADAY ROAD  
DORCAN, SWINDON, SN3 5HH  
WILTS. ENGLAND

DO NOT SCALE  
THIS DRAWING

THIS DRAWING AND THE INFORMATION SET FORTH HEREON ARE THE PROPERTY OF RAYCHEM AND ARE TO BE HELD IN TRUST AND CONFIDENCE. PUBLICATION, DUPLICATION, DISCLOSURE OR USE FOR ANY OTHER PURPOSE NOT EXPRESSLY AUTHORISED IN WRITING BY RAYCHEM IS PROHIBITED.

TITLE  
TINEL ADAPTOR ASSEMBLY - 00

DRAWN	IRT	DATE	SEP 98
CHECKED	KJW	DATE	SEP 98
APPROVED	KJW	DATE	SEP 98
PROJECT NO	B5112		

CODE IDENT NUMBER	DRAWING NUMBER	ISSUE
06090	TXS112	A

SHEET 2 OF 3

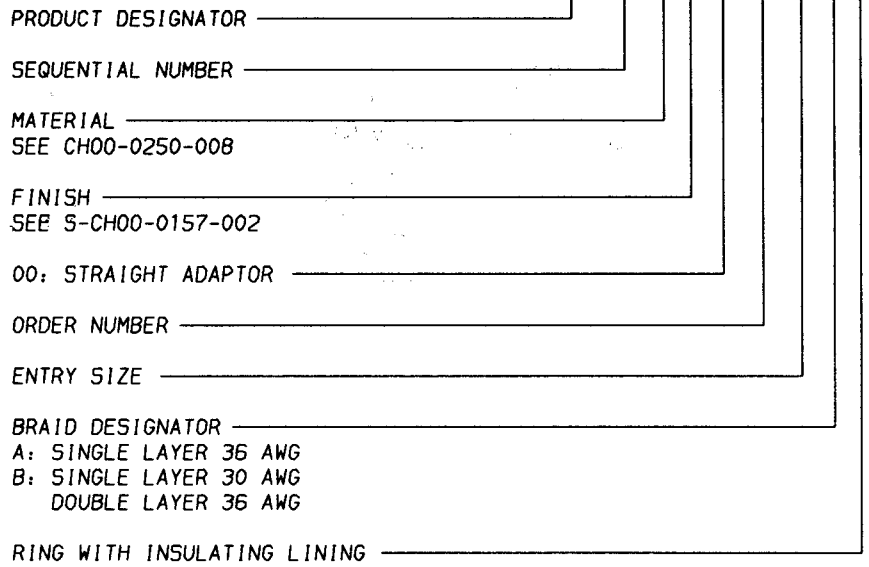
TXS1125CD-2

ELECTRONICS OEM CONTROL STAMP. IF THIS STAMP IS RED, THIS IS A CONTROLLED DOCUMENT. IF BLACK, IT IS AN UNCONTROLLED COPY. CHECK FOR REVISION.

ISSUE	DESCRIPTION	DRAWN	DATE	APPR
A	INITIAL ISSUE	IRT	SEP 98	KJW

PART NUMBERING SYSTEM

TXS 112-A B 00-16 08 A I



SPECIFICATION CONTROL DRAWING

**Raychem**

RAYCHEM LIMITED  
FARADAY ROAD  
DORCAN, SWINDON, SN3 5HH  
WILTS. ENGLAND

DO NOT SCALE  
THIS DRAWING

THIS DRAWING AND THE INFORMATION SET FORTH HEREON ARE THE PROPERTY OF RAYCHEM AND ARE TO BE HELD IN TRUST AND CONFIDENCE. PUBLICATION, DUPLICATION, DISCLOSURE OR USE FOR ANY OTHER PURPOSE NOT EXPRESSLY AUTHORISED IN WRITING BY RAYCHEM IS PROHIBITED.

TITLE  
TINEL ADAPTOR ASSEMBLY - 00

DRAWN	IRT	DATE	SEP 98
CHECKED	KJW	DATE	SEP 98
APPROVED	KJW	DATE	SEP 98
PROJECT NO	85112		

CODE IDENT	DRAWING NUMBER	ISSUE
NUMBER	TXS112	A
06090		

SHEET 3 OF 3

TXS1125CD-3

ELECTRONICS OEM CONTROL STAMP. IF THIS STAMP IS RED, THIS IS A CONTROLLED DOCUMENT. IF BLACK, IT IS AN UNCONTROLLED COPY. CHECK FOR REVISION.