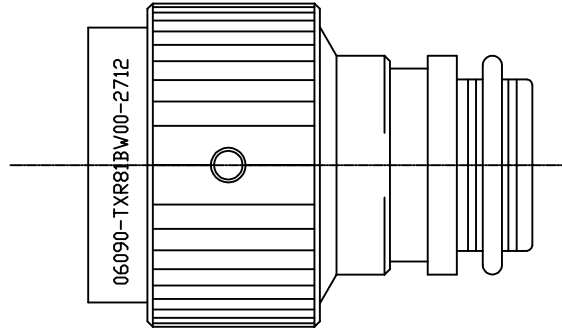


THIS DRAWING AND THE INFORMATION SET FORTH HEREON ARE THE PROPERTY OF TYCO ELECTRONICS AND ARE TO BE HELD IN TRUST AND CONFIDENCE. PUBLICATION, DUPLICATION, DISCLOSURE, OR USE FOR ANY PURPOSE NOT EXPRESSLY AUTHORIZED IN WRITING BY TYCO ELECTRONICS IS PROHIBITED.

REVISIONS			
LTR	DESCRIPTION	DATE	APPROVED
A	INITIAL RELEASE PER ECO-13-002993	02/19/13	-



CODE 81 TINEL-LOCK ADAPTER

NOTES:


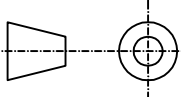
1. THIS PRODUCT IS DESIGNED TO TERMINATE A BRAIDED CABLE SHIELD AND A HEAT SHRINKABLE LIPPED BOOT TO A CONNECTOR.
2. SEE CH00-0250-008 FOR ORDERING INFORMATION, MODIFICATIONS AND ADDITIONAL DIMENSIONS.
- ③ SEE DRAWING TR FOR DETAIL ON TINEL-LOCK RING. RINGS ARE DESIGNED TO BE HEATED ELECTRICALLY. ALL RINGS ARE MARKED WITH THERMOCHROMIC PAINT WHICH CHANGES COLOUR WHEN INSTALLATION TEMPERATURE IS REACHED.
4. ADAPTER TO BE PERMANENTLY MARKED WITH CODE IDENTIFICATION NUMBER AND PART NUMBER LESS RING DESIGNATOR. (e.g. 06090-TXR81BW00-2712). RING SHALL BEAR NO MARKING.
- ⑤ ADAPTER MATES TO: ST 538 AGB/T, UTE C 93422 EXTENSION HE 314 CONNECTORS AS DEUTSCH SERIES 901 AND 941.
- ⑥ ANTI-ROTATIONAL SET SCREW, THREE THREADED HOLES 120 ° ±5° APART, SINGLE MATING SET SCREW SUPPLIED: AN565DC4H2.

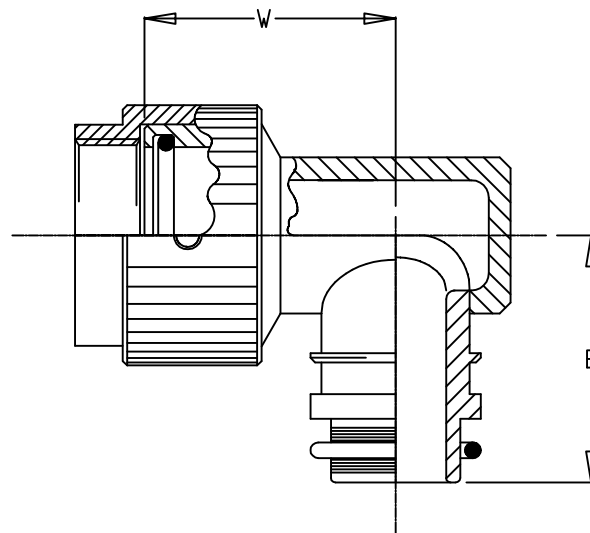
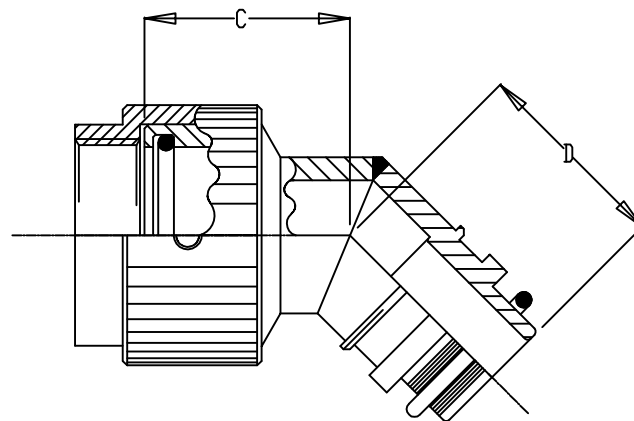
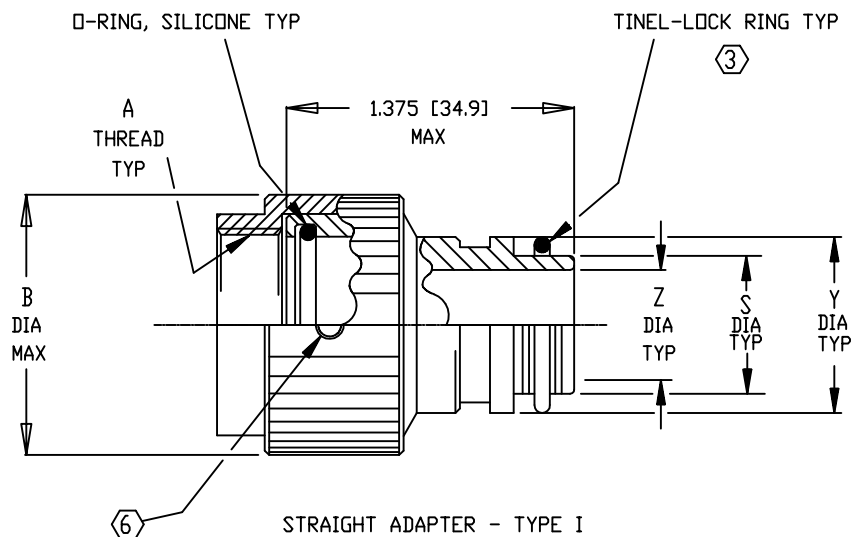
If this document is printed it becomes uncontrolled. Check for the latest revision

Raychem Adapters

CUSTOMER DRAWING

© 2012-2013 Tyco electronics corporation. All rights reserved

UNLESS OTHERWISE SPECIFIED DIMENSIONS ARE IN INCHES AND TOLERANCES ARE: .XXX ± - .XX ± - .X ± - ANGLES .X ± -	DRAWN IRT	DATE JUN96		TITLE TINEL-LOCK™ ADAPTER		
	CHECKED KJW	DATE JUN96				
	APPROVED KJW	DATE JUN96				
	MATERIAL -	THIRD ANGLE PROJECTION 		SIZE A	CAGE CODE: 06090	DWG. NO. TXR81
FINISH -	CAD NAME TXR81 CD 1.dwg	RPN: -	SCALE: NONE	SHEET 1 OF 3		



If this document is printed it becomes uncontrolled. Check for the latest revision

Raychem Adapters

CUSTOMER DRAWING

SIZE A	CAGE CODE: 06090	DWG. NO. TXR81	REV A
SCALE: NONE		SHEET 2 OF 3	

TABLE I							
ORDER NUMBER	SHELL SIZE ⑤	MAX ENTRY SIZE	A UNIFIED THREAD CLASS 2B	B DIA MAX	C MAX	D MAX	E MAX
07	07	08	0.8750-20 UNEF	1.18 [30.0]	1.004 [25.50]	0.925 [23.50]	1.16 [29.5]
12	12	08	1.0000-20 UNEF	1.30 [33.0]	1.053 [26.75]	0.945 [24.00]	1.20 [30.5]
19	19	10	1.1250-18 UNEF	1.42 [36.0]	1.063 [27.00]	0.965 [24.50]	1.26 [32.0]
27	27	12	1.3125-18 UNEF	1.62 [41.0]	1.112 [28.25]	0.994 [25.25]	1.34 [34.0]
37	37	16	1.4375-18 UNEF	1.83 [46.5]	1.161 [29.50]	1.033 [26.25]	1.42 [36.0]
48	48	-	-	-	-	-	-
61	61	20	1.7500-18 UNS	2.13 [54.0]	1.250 [31.75]	1.083 [27.50]	1.56 [39.5]
91	121	-	-	-	-	-	-

TABLE II				
ENTRY SIZE	Z DIA +0.010 -0.020 [+0.25] [-0.50]	S DIAMETER	Y DIA ±.015 [±0.38]	W MAX
04	.250 [6.35]	.376 [9.55] .370 [9.40]	.550 [13.97]	1.46 [37.0]
05	.312 [7.92]	.438 [11.13] .432 [10.97]	.612 [15.54]	1.52 [38.5]
06	.375 [9.53]	.501 [12.73] .495 [12.57]	.675 [17.15]	1.57 [40.0]
07	.437 [11.10]	.563 [14.30] .556 [14.12]	.737 [18.72]	1.63 [41.5]
08	.500 [12.70]	.626 [15.90] .619 [15.72]	.800 [20.32]	1.71 [43.5]
10	.625 [15.88]	.752 [19.10] .742 [18.85]	.925 [23.50]	1.85 [47.0]
12	.750 [19.05]	.877 [22.28] .867 [22.02]	1.050 [26.67]	1.99 [50.5]
14	.875 [22.22]	1.002 [25.45] .991 [25.17]	1.175 [29.85]	2.11 [53.5]
16	1.000 [25.40]	1.127 [28.63] 1.116 [28.35]	1.300 [33.02]	2.24 [57.0]
18	1.125 [28.58]	1.252 [31.80] 1.241 [31.52]	1.425 [36.20]	2.38 [60.5]
20	1.250 [31.75]	1.377 [34.98] 1.366 [34.70]	1.550 [39.37]	2.53 [64.0]

Raychem Adapters

CUSTOMER DRAWING

If this document is printed it becomes uncontrolled. Check for the latest revision

SIZE A	CAGE CODE: 06090	DWG. NO. TXR81	REV A
SCALE: NONE		SHEET 3 OF 3	