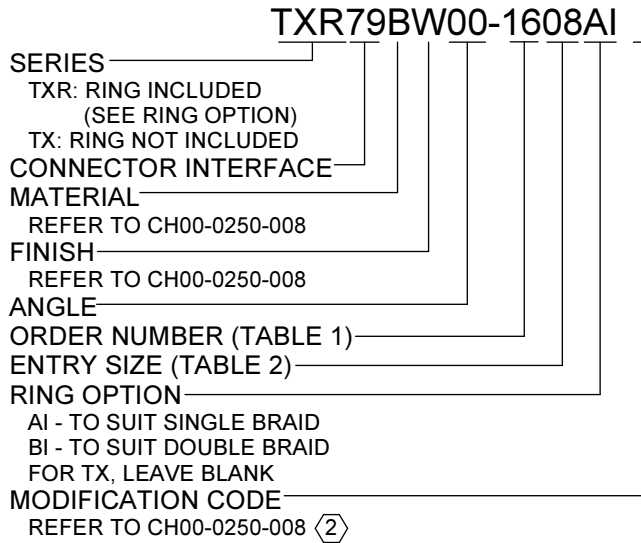


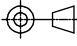


CODE 79 - TINEL-LOCK BACKSHELL

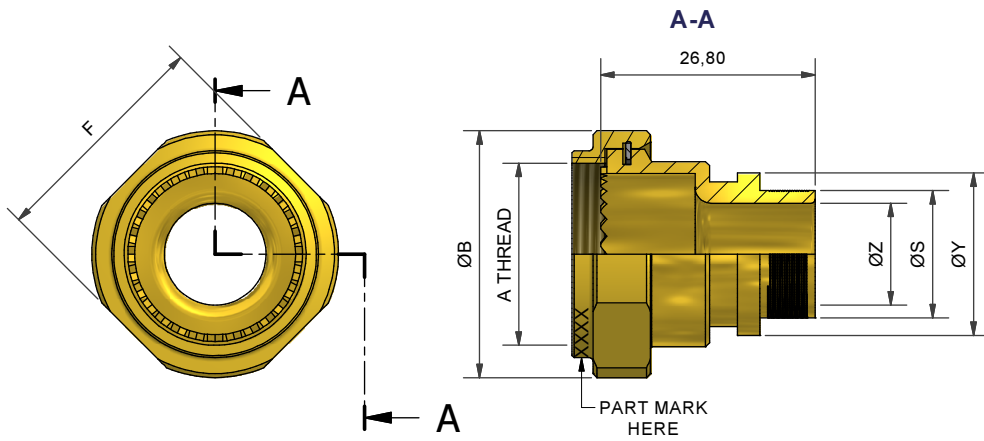


NOTES:

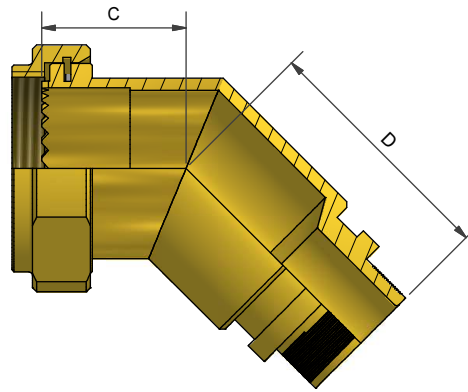
1. THIS PRODUCT IS DESIGNED TO TERMINATE A BRAIDED CABLE SHIELD AND A HEAT SHRINKABLE LIPPED BOOT TO A CONNECTOR.
- (2) FOR ADDITIONAL DIMENSIONS, ORDERING INFORMATION AND MODIFICATIONS, SEE CH00-0250-008.
- (3) SEE DRAWING TR FOR DETAIL ON TINEL-LOCK RING, RINGS ARE DESIGNED TO BE HEATED ELECTRICALLY, ALL RINGS ARE MARKED WITH THERMOCHROMIC PAINT WHICH CHANGES COLOUR WHEN INSTALLATION TEMPERATURE IS REACHED.
4. BACKSHELL TO BE PERMANENTLY MARKED/BAGGED AND LABELLED WITH CODE IDENTIFICATION NUMBER AND PART NUMBER LESS RING DESIGNATOR. (e.g. 06090-TXR79BW00-2016). RING SHALL BEAR NO MARKING.
- (5) BACKSHELL MATES TO BS9522-F0020 (PATTERN 608) CONNECTORS, EXCLUDING STYLES 37T & 57T.

If this document is printed it becomes uncontrolled. Check for the latest revision

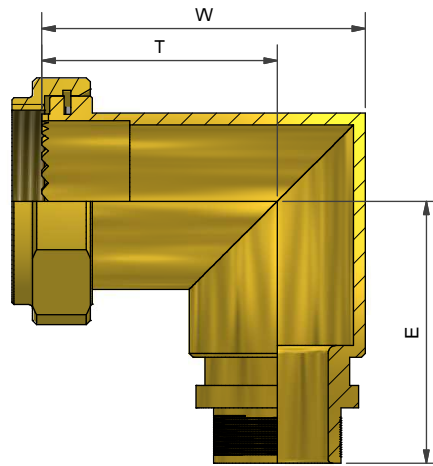
DRAWN	K.SHEPPARD	DATE	04/08/2015	 3RD ANGLE PROJECTION NOT TO SCALE	TITLE:	<h3>TINEL LOCK BACKSHELL</h3>	 Polamco 	
CHECKED		04/08/2015	UNLESS OTHERWISE SPECIFIED ALL DIMENSIONS IN MILLIMETRES GENERAL TOL LINEAR +/-0.25MM ANGULAR +/- 1°					ASSY USED ON:
APPROVED								
APPROVED	H.SMITH	20/08/2015						
REVISIONS								
LTR	DESCRIPTION	DATE	APPROVED					
B	REVISED PER ECO-13-002877	18/02/2013	G.WELLS					
C	REVISED PER ECO-15-012000	20/08/2015	H.SMITH					
TE CAGE CODE: 06090 POLAMCO/TE CAGE CODE: U5792					TE CONNECTIVITY - POLAMCO LTD RESERVES THE RIGHT TO AMEND THIS DRAWING AND THE INFORMATION SET FORTH HEREON AT ANY TIME. USERS SHOULD INDEPENDENTLY EVALUATE THE SUITABILITY OF THE PRODUCT FOR THEIR APPLICATION.	DRAWING NO: TXR79	DRAWING REV: C	SHT 1



STRAIGHT BACKSHELL - TYPE 1



45° BACKSHELL - TYPE 1



90° BACKSHELL - TYPE 1

If this document is printed it becomes uncontrolled. Check for the latest revision

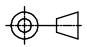

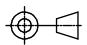


DRAWN	K.SHEPPARD	DATE	04/08/2015	 3RD ANGLE PROJECTION NOT TO SCALE	TITLE: TINEL LOCK BACKSHELL	 Polamco connectivity		
CHECKED		DATE	04/08/2015					
APPROVED							UNLESS OTHERWISE SPECIFIED ALL DIMENSIONS IN MILLIMETRES GENERAL TOL LINEAR +/-0.25MM ANGULAR +/- 1°	
APPROVED	H.SMITH	DATE	20/08/2015					
REVISIONS						ASSY USED ON: PATTERN 608 EXCLUDING STYLES 37T & 57T		
LTR	DESCRIPTION	DATE	APPROVED					
B	REVISED PER ECO-13-002877	18/02/2013	G.WELLS					
C	REVISED PER ECO-15-012000	20/08/2015	H.SMITH					
TE CAGE CODE: 06090 POLAMCO/TE CAGE CODE: U5792					TE CONNECTIVITY - POLAMCO LTD RESERVES THE RIGHT TO AMEND THIS DRAWING AND THE INFORMATION SET FORTH HEREON AT ANY TIME. USERS SHOULD INDEPENDENTLY EVALUATE THE SUITABILITY OF THE PRODUCT FOR THEIR APPLICATION.	DRAWING NO: TXR79	DRAWING REV: C	SHT 2

TABLE 1

ORDER NUMBER	SHELL SIZE	MAX ENTRY	A THREAD	ØB MAX	F	C ±0,5	D ±0,5	W ±0,5	T ±0,5	E ±0,5
08	08	05	7/16-28UNEF	19,3	17,1	15,6	26,8	26,1	21,1	26,4
10	10	07	9/16-24UNEF	21,3	19,0	16,4	27,5	30,0	22,8	28,2
12	12	08	11/16-24UNEF	24,3	22,1	16,8	28,0	33,3	24,3	29,7
14	14	10	13/16-20UNEF	29,2	27,0	17,7	29,0	36,0	25,8	31,2
16	16	12	15/16-20UNEF	30,8	28,6	18,0	29,7	39,0	27,5	32,9
18	18	14	1 1/16-18UNEF	33,8	31,7	18,8	30,5	42,4	29,1	34,5
20	20	16	1 3/16-18UNEF	38,5	36,5	19,6	30,9	45,4	30,7	36,1
22	22	18	1 5/16-18UNEF	38,5	36,5	20,1	31,1	48,6	32,4	37,6
24	24	20	1 7/16-18UNEF	42,5	40,4	20,9	32,1	51,1	33,7	39,1

TABLE 2

ENTRY SIZE	ØZ MIN	ØS	ØY ± 0,3
04	6,35	9,49 +/-0,04	14,00
05	7,92	11,06 +/-0,04	15,50
06	9,53	12,66 +/-0,04	17,10
07	11,10	14,21 +/-0,07	18,70
08	12,70	15,81 +/-0,07	20,30
10	15,88	18,96 +/-0,08	23,50
12	19,05	22,14 +/-0,08	26,70
14	22,23	25,30 +/-0,08	29,80
16	25,40	28,48 +/-0,08	33,00
18	28,58	31,65 +/-0,08	36,20
20	31,75	34,83 +/-0,08	39,40
22	34,93	37,98 +/-0,08	42,50
24	38,10	41,15 +/-0,08	45,70

DRAWN	K.SHEPPARD	DATE	04/08/2015		3RD ANGLE PROJECTION NOT TO SCALE	TITLE: TINEL LOCK BACKSHELL			
CHECKED		04/08/2015							
APPROVED			UNLESS OTHERWISE SPECIFIED ALL DIMENSIONS IN MILLIMETRES GENERAL TOL LINEAR +/-0,25MM ANGULAR +/- 1°						
APPROVED	H.SMITH	20/08/2015							
REVISIONS						ASSY USED ON:			
LTR	DESCRIPTION	DATE	APPROVED	PATTERN 608 EXCLUDING STYLES 37T & 57T					
B	REVISED PER ECO-13-002877	18/02/2013	G.WELLS						
C	REVISED PER ECO-15-012000	20/08/2015	H.SMITH						
TE CAGE CODE: 06090 POLAMCO/TE CAGE CODE: U5792						TE CONNECTIVITY - POLAMCO LTD RESERVES THE RIGHT TO AMEND THIS DRAWING AND THE INFORMATION SET FORTH HEREON AT ANY TIME. USERS SHOULD INDEPENDENTLY EVALUATE THE SUITABILITY OF THE PRODUCT FOR THEIR APPLICATION.	DRAWING NO: TXR79	DRAWING REV: C	SHT 3