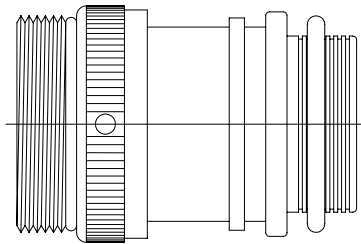


| REVISIONS | | | |
|-----------|-------------------------|------|----------|
| LTR | DESCRIPTION | DATE | APPROVED |
| E | REVISED PER ECN AD93091 | | |



CODE 71 TINEL-LOCK ADAPTER

NOTES:

1. THIS PRODUCT IS DESIGNED TO TERMINATE A BRAIDED CABLE SHIELD AND A HEAT SHRINKABLE LIPPED BOOT TO A CONNECTOR.
2. SEE CH00-0250-008 FOR ORDERING INFORMATION, MODIFICATIONS AND ADDITIONAL DIMENSIONS.
- ③ SEE DRAWING "TR" FOR DETAILS ON TINEL-LOCK RING. RINGS ARE DESIGNED TO BE HEATED ELECTRICALLY. ALL RINGS ARE MARKED WITH THERMOCHROMIC PAINT WHICH CHANGES COLOR WHEN INSTALLATION TEMPERATURE IS REACHED.
4. ADAPTER TO BE PERMANENTLY MARKED WITH CODE IDENT. NO. AND PART NO. LESS RING DESIGNATOR (E.G.: 06090-TXR71AB00-1206). RINGS SHALL BEAR NO MARKING.
- ⑤ FOR LARGER ENTRY SIZES, A 2 PIECE ADAPTER (TYPE II) IS SUPPLIED.
- ⑥ ADAPTER MATES TO MIL-C-81703, SERIES 1 AND 2, CLASS E, P AND J, MS3130, 32, 34, 37, 38, 39, 40, 44, 47 AND MS3148, DEUTSCH DA, DD, DS, MDR AND MDS CONNECTORS
- ⑦ ANTI-ROTATIONAL SET SCREW, THREE THREADED HOLES 120° ± 5° APART, SINGLE MATING SET SCREW SUPPLIED; AN565DC4H2, NOT REQUIRED FOR TYPE II ADAPTERS.

If this document is printed it becomes uncontrolled.
Check for the latest revision.

SPECIFICATION CONTROL DRAWING

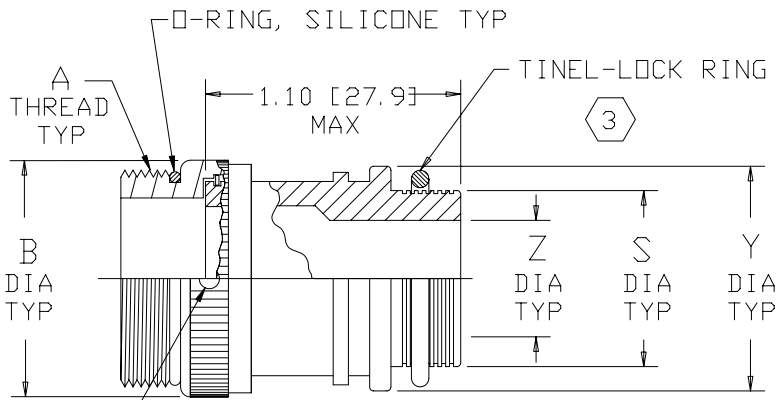
UNLESS OTHERWISE SPECIFIED DIMENSIONS ARE IN INCHES. METRIC DIMENSIONS ARE IN BRACKETS.

DECIMALS
 .XXX ± — [mm]
 .XX ± — [mm]
 .X ± — [mm]

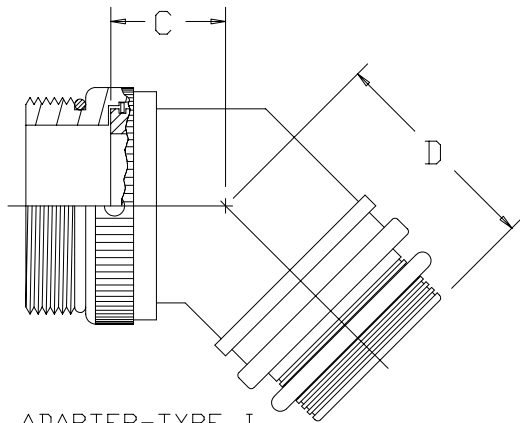
ANGLES
 .X ± —

| | |
|------------------------|------------------|
| DRAWN E. GOLDY | DATE 07-19-93 |
| CHECKED | DATE |
| APPROVED | DATE |
| APPROVED | DATE |
| CAD NAME \ACAD12\TXR71 | |
| THIRD ANGLE PROJECTION | |

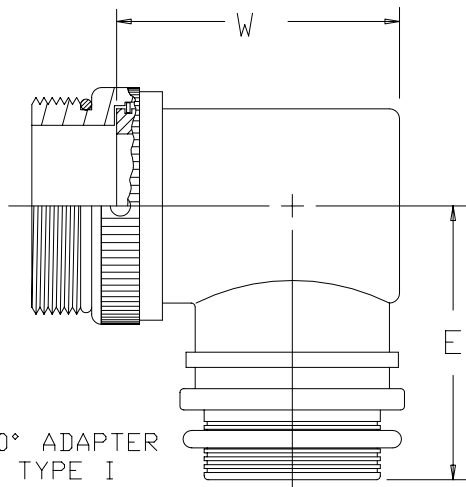
| | | | | | |
|-----------------------------------|--------------------------|--|--------------|----------------|--|
| tyco Electronics | | Tyco Electronics Corporation 300 Constitution Drive Menlo Park, CA. 94025 U.S.A. | | Raychem | |
| TITLE TINEL-LOCK™ ADAPTER | | | | | |
| SIZE A | CODE IDENT. NO. 06090 | DWG. NO. TXR71 | REV E | | |
| DO NOT SCALE THIS DWG | | | SHEET 1 OF 3 | | |



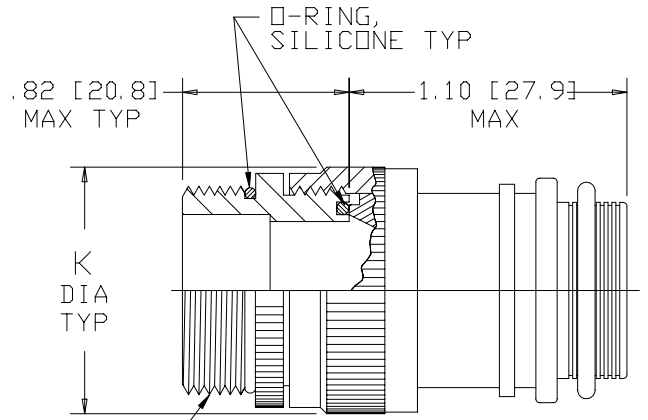
7 STRAIGHT ADAPTER-TYPE I



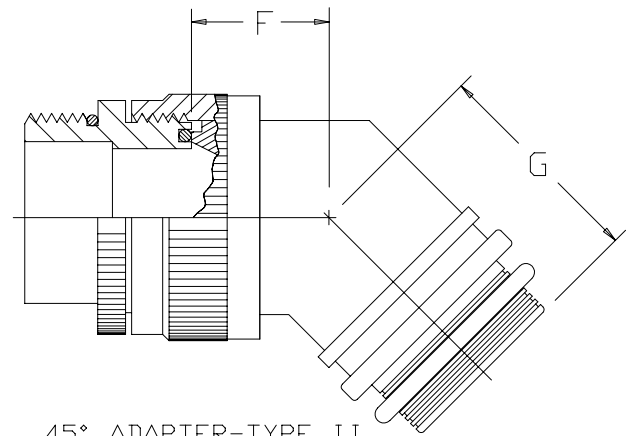
45° ADAPTER-TYPE I



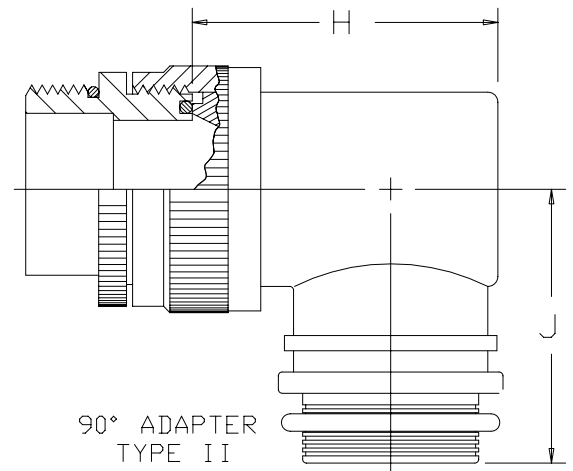
90° ADAPTER
TYPE I



5 STRAIGHT ADAPTER-TYPE II



45° ADAPTER-TYPE II



90° ADAPTER
TYPE II

If this document is printed it becomes uncontrolled.
Check for the latest revision.

| | | | | |
|-----------------------|---------------|--------------------------|-------------------|--------------|
| SIZE A | CODE 06090 | IDENT. NO. | DWG. NO. TXR71 | REV E |
| DO NOT SCALE THIS DWG | | CAD NAME \ACAD12\TXR71-2 | | SHEET 2 OF 3 |

| TABLE I | | | | | | | |
|-----------|--|---|------------------------|----------------|---------------|----------------|----------------|
| ORDER NO. | SHELL SIZE 6 | MAX ENTRY SIZE TYPE I 5 | A UNIFIED THD CLASS 2A | B DIA MAX | C MAX | D MAX | E MAX |
| 03 | 3 & 10 | 07 | .500-28 UNEF | .90 [22.9] | .71 [18.0] | .96 [24.4] | 1.23 [31.2] |
| 07 | 7 | 08 | .625-24 UNEF | 1.06 [26.9] | .73 [18.5] | .98 [24.9] | 1.29 [32.8] |
| 08 | 8 | 04 | .375-32 UNEF | .78 [19.8] | .66 [16.8] | .91 [23.1] | 1.17 [29.7] |
| 12 | 12 & 14 | 12 | .750-20 UNEF | 1.18 [30.0] | .76 [19.3] | 1.01 [25.7] | 1.37 [34.8] |
| 19 | 16 & 19 | 12 | .875-20 UNEF | 1.31 [33.3] | .78 [19.8] | 1.03 [26.2] | 1.45 [36.8] |
| 27 | 18 & 27 | 14 | 1.000-20 UNEF | 1.42 [36.1] | .80 [20.3] | 1.05 [26.7] | 1.50 [38.1] |
| 37 | 37 | 16 | 1.188-18 UNEF | 1.56 [39.6] | .83 [21.1] | 1.08 [27.4] | 1.54 [39.1] |
| 61 | 61 | 20 | 1.500-18 UNEF | 1.80 [45.7] | .89 [22.6] | 1.14 [29.0] | 1.67 [42.4] |

| TABLE II | | | | | | | | | |
|------------|---|--------------------------------|-----------------------|----------------|----------------|----------------|----------------|----------------|----------------|
| ENTRY SIZE | Z +.010 -.020 [+0.25] [-0.51] | S DIA | Y ±.015 [±0.38] | W MAX | F MAX | G MAX | H MAX | J MAX | K MAX |
| 04 | .250 [6.35] | .376 [9.56] .370 [9.39] | .550 [13.97] | 1.12 [28.4] | N/A | N/A | N/A | N/A | N/A |
| 05 | .312 [7.92] | .438 [11.13] .432 [10.97] | .612 [15.54] | 1.18 [30.0] | .77 [19.6] | .93 [23.6] | 1.19 [30.2] | 1.16 [29.5] | .80 [20.3] |
| 06 | .375 [9.52] | .501 [12.73] .495 [12.57] | .675 [17.14] | 1.25 [31.8] | .77 [19.6] | .93 [23.6] | 1.19 [30.2] | 1.16 [29.5] | .80 [20.3] |
| 07 | .437 [11.09] | .563 [14.31] .556 [14.12] | .737 [18.71] | 1.31 [33.3] | .80 [20.3] | .95 [24.1] | 1.38 [35.1] | 1.22 [31.0] | .92 [23.4] |
| 08 | .500 [12.70] | .626 [15.91] .619 [15.72] | .800 [20.32] | 1.37 [34.8] | .80 [20.3] | .95 [24.1] | 1.38 [35.1] | 1.22 [31.0] | .92 [23.4] |
| 10 | .625 [15.87] | .752 [19.11] .742 [18.84] | .925 [23.49] | 1.50 [38.1] | .84 [21.3] | 1.00 [25.4] | 1.51 [38.4] | 1.35 [34.3] | 1.18 [30.0] |
| 12 | .750 [19.05] | .877 [22.28] .867 [22.02] | 1.050 [26.67] | 1.62 [41.1] | .86 [21.8] | 1.01 [25.7] | 1.63 [41.4] | 1.40 [35.6] | 1.35 [34.3] |
| 14 | .875 [22.23] | 1.002 [25.46] .991 [25.17] | 1.175 [29.84] | 1.75 [44.5] | .88 [22.4] | 1.04 [26.4] | 1.78 [45.2] | 1.46 [37.1] | 1.41 [35.8] |
| 16 | 1.000 [25.40] | 1.127 [28.63] 1.116 [28.34] | 1.300 [33.02] | 1.87 [47.5] | .91 [23.1] | 1.06 [26.9] | 1.88 [47.8] | 1.53 [38.9] | 1.60 [40.6] |
| 18 | 1.125 [28.57] | 1.252 [31.81] 1.241 [31.52] | 1.425 [36.19] | 2.00 [50.8] | .93 [23.6] | 1.09 [27.7] | 2.01 [51.1] | 1.59 [40.4] | 1.66 [42.2] |
| 20 | 1.250 [31.75] | 1.377 [34.98] 1.366 [34.69] | 1.550 [39.37] | 2.12 [53.8] | .98 [24.9] | 1.13 [28.7] | 2.13 [54.1] | 1.78 [45.2] | 2.04 [51.8] |
| 22 | 1.375 [34.93] | 1.502 [38.15] 1.488 [37.79] | 1.675 [42.55] | N/A | 1.03 [26.2] | 1.38 [35.1] | 2.29 [58.2] | 1.85 [47.0] | 2.23 [56.6] |
| 24 | 1.500 [38.10] | 1.627 [41.33] 1.613 [40.97] | 1.800 [45.72] | N/A | 1.08 [27.4] | 1.44 [36.6] | 2.42 [61.5] | 1.92 [48.8] | 2.23 [56.6] |

If this document is printed it becomes uncontrolled.
Check for the latest revision.

| | | | |
|-----------------------|--------------------------|---------------------------|--------------|
| SIZE A | CODE IDENT. NO. 06090 | DWG. NO. TXR71 | REV E |
| DO NOT SCALE THIS DWG | | CAD NAME XACAD\TXR71-3 | SHEET 3 OF 3 |