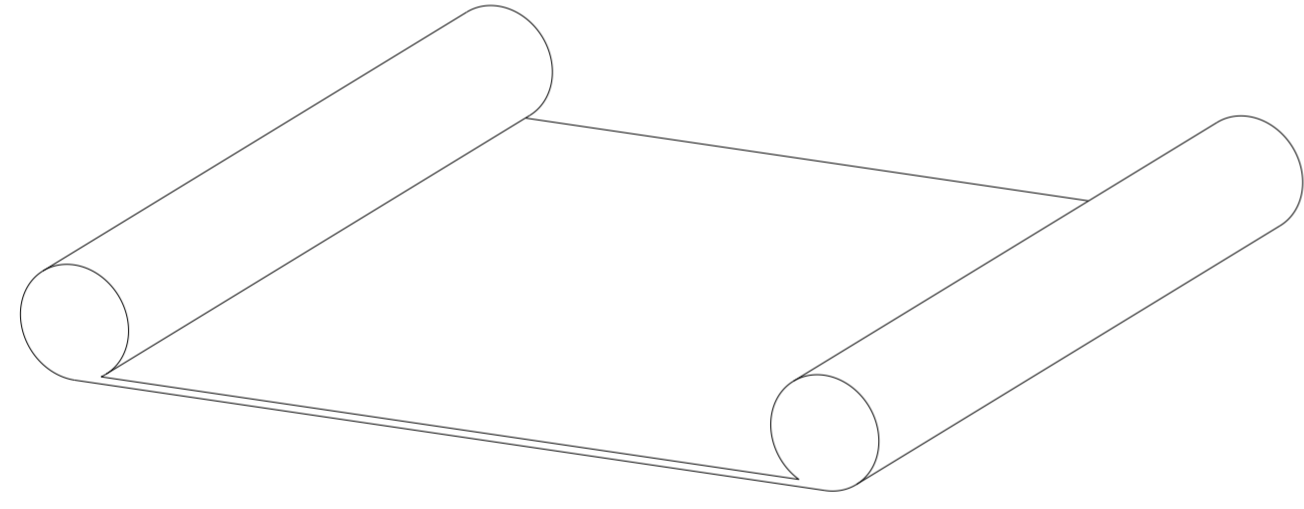
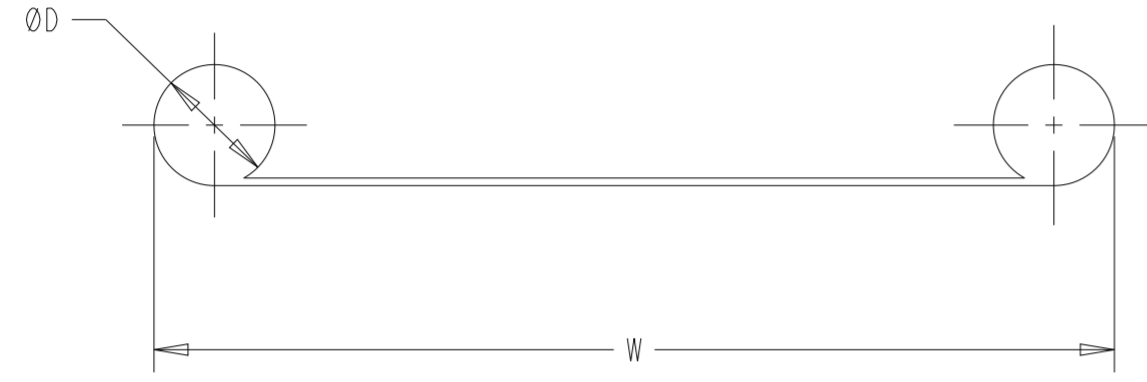


REVISIONS

P	LTR	DESCRIPTION	DATE	DWN	APVD
	A	NEW DRAWING	01AUG2022	BDA	DH



ISOMETRIC VIEW (NTS)

6.4	25.4	25000	154-0064-0254	TIN PLATED COPPER CLAD STEEL (TCS)	2423863-1
4.8	25.4	25000	154-0048-0254	TIN PLATED COPPER CLAD STEEL (TCS)	2423862-1
3.2	25.4	25000	154-0032-0254	TIN PLATED COPPER CLAD STEEL (TCS)	2423861-1
6.4	25.4	25000	152-0064-0254	MONEL ALLOY 400 WIRE (MON)	2423860-1
4.8	25.4	25000	152-0048-0254	MONEL ALLOY 400 WIRE (MON)	2423859-1
3.2	25.4	25000	152-0032-0254	MONEL ALLOY 400 WIRE (MON)	2423858-1
6.4	25.4	250	154-0064-0254-S	TIN PLATED COPPER CLAD STEEL (TCS)	2423808-1
4.8	25.4	250	154-0048-0254-S	TIN PLATED COPPER CLAD STEEL (TCS)	2423806-1
3.2	25.4	250	154-0032-0254-S	TIN PLATED COPPER CLAD STEEL (TCS)	2423805-1
6.4	25.4	250	152-0064-0254-S	MONEL ALLOY 400 WIRE (MON)	2423804-1
4.8	25.4	250	152-0048-0254-S	MONEL ALLOY 400 WIRE (MON)	2423803-1
3.2	25.4	250	152-0032-0254-S	MONEL ALLOY 400 WIRE (MON)	2423802-1
ØD±0.8	W±1.5	L	ALIAS PART NUMBER	MATERIAL	PART NUMBER

THIS DRAWING IS A CONTROLLED DOCUMENT.

DWN BASAVARAJA D A 01AUG2022	 TE Connectivity	NAME 15X-TWIN ROUND WITH FIN SOLID KNITTED WIRE MESH		
CHK B SELVAPANDIAN 01AUG2022				
APVD D. HEMMINGS 01AUG2022				
PRODUCT SPEC -				
APPLICATION SPEC -	SIZE A2	CAGE CODE 00779	DRAWING NO G-TWIN-ROUND-FIN-SKW-MSH	RESTRICTED TO -
WEIGHT -	SCALE 5:1	SHEET 1	OF 1	REV A

MATERIAL: SEE TABLE

TOLERANCES UNLESS OTHERWISE SPECIFIED:

0 PLC	±
1 PLC	±
2 PLC	±
3 PLC	±
4 PLC	±
ANGLES	±
FINISH	-

CUSTOMER DRAWING