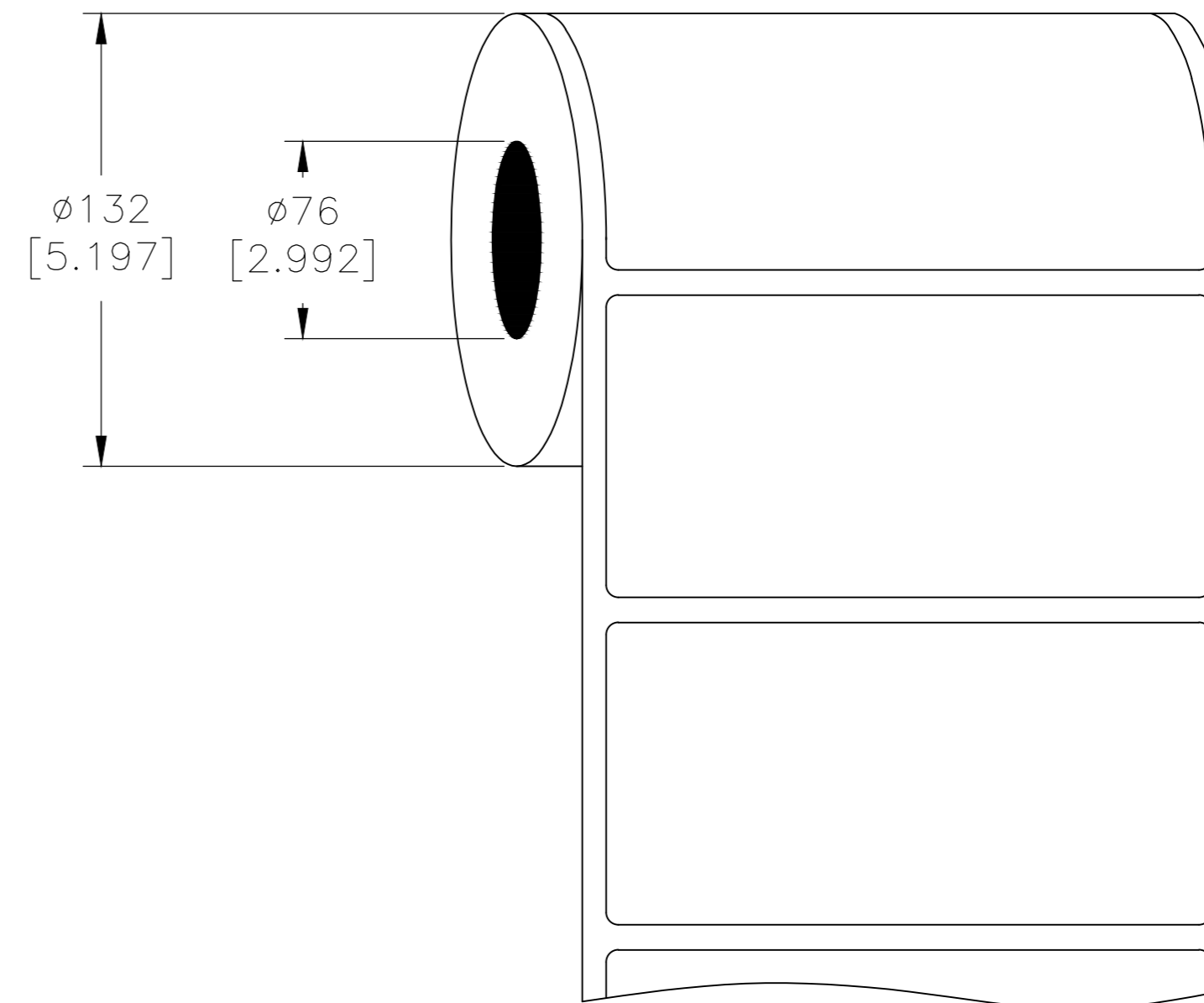
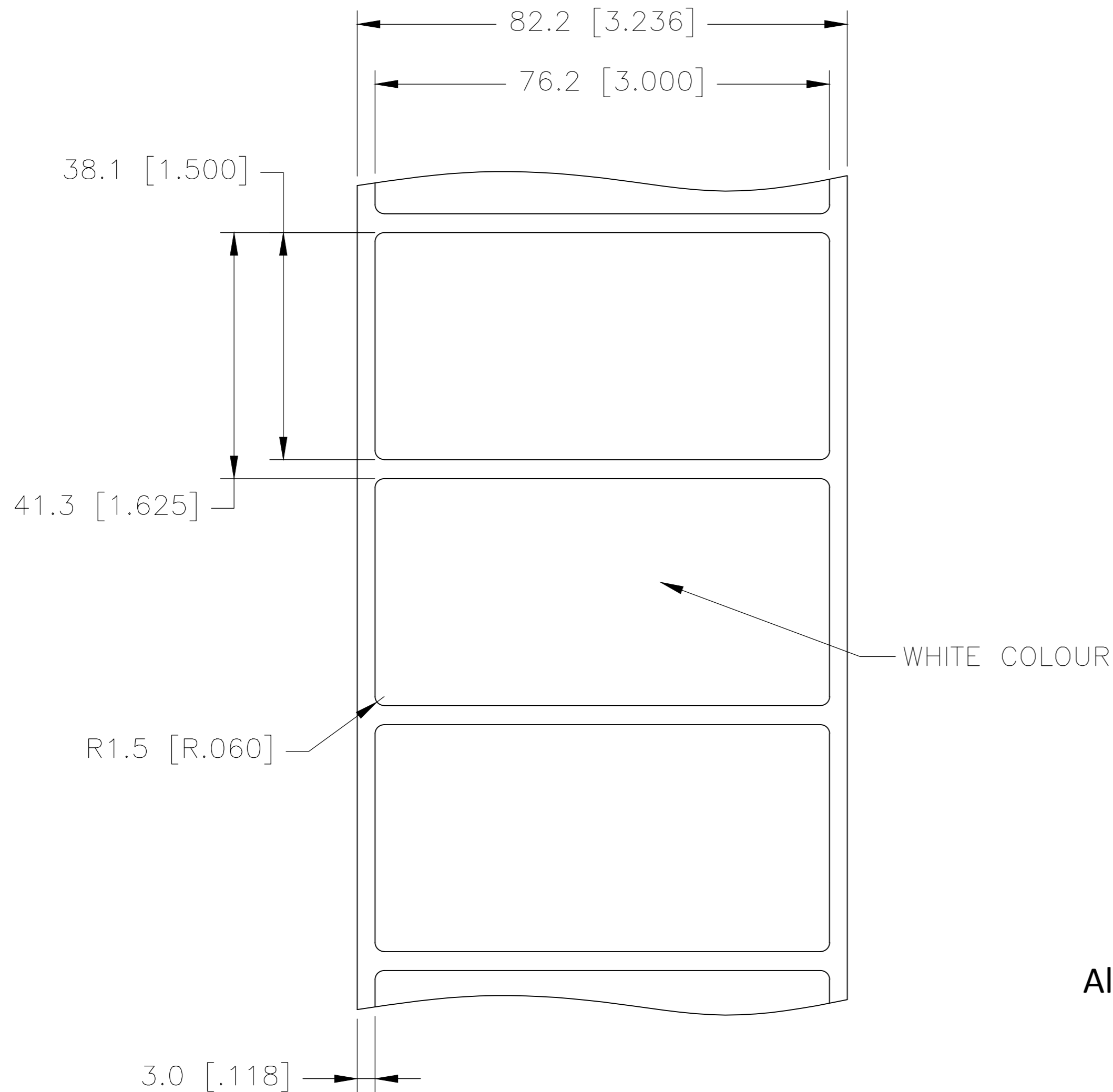


P	LTR	DESCRIPTION	DATE	DWN	APVD
A		NEW DRAWING	12MAY2020	GK	DB

LABEL AND LINER DESIGN

PRESENTATION



**OUTSIDE WOUND
LABEL ACROSS: 1
PER ROLL QTY: 1,000**

All dimensions in mm [Inch]

TE PN: A36576-000

MATERIAL	POLYVINYL FLUORIDE (TEDLAR®)	
ADHESIVE TYPE	PERMANENT ACRYLIC	
LINEAR	BROWN KRAFT	
DWN	12MAY2020	
CHK	GOPALAKRISHNA HV	
APVD	D.BURGAT	
PRODUCT SPEC	12MAY2020	
NAME	TEDLAR® LABEL - WHITE - 1 ACCROSS 76.2mm x 38.1mm (3inch x 1.5inch)	
APPLICATION SPEC	TTDS-005	
WEIGHT	0.398g	RESTRICTED TO
CUSTOMER DRAWING	A2 FB1U7 C=TTVF3015WE1	
SCALE	NTS	SHEET 1 of 1
REV	A	

TOLERANCES mm [INCH]		THIS DRAWING IS A CONTROLLED DOCUMENT.	
LABEL HEIGHT:	±0.3 [.012]	DIMENSIONS:	TOLERANCES UNLESS OTHERWISE SPECIFIED
LABEL WIDTH:	±0.3 [.012]	mm [INCHES]	
WEB WIDTH:	±0.8 [.031]		
VERTICAL REPEAT:	±0.8 [.031]*		
HORIZONTAL REPEAT:	±0.8 [.031]*		
PRINT POSITIONING:	±0.8 [.031]*		
LEFT MARGIN:	±0.4 [.016]		
QUANTITY:	-0 % +2 %		
*NON ACCUMULATING			
MATERIAL	SEE TABLE	FINISH	GLOSS