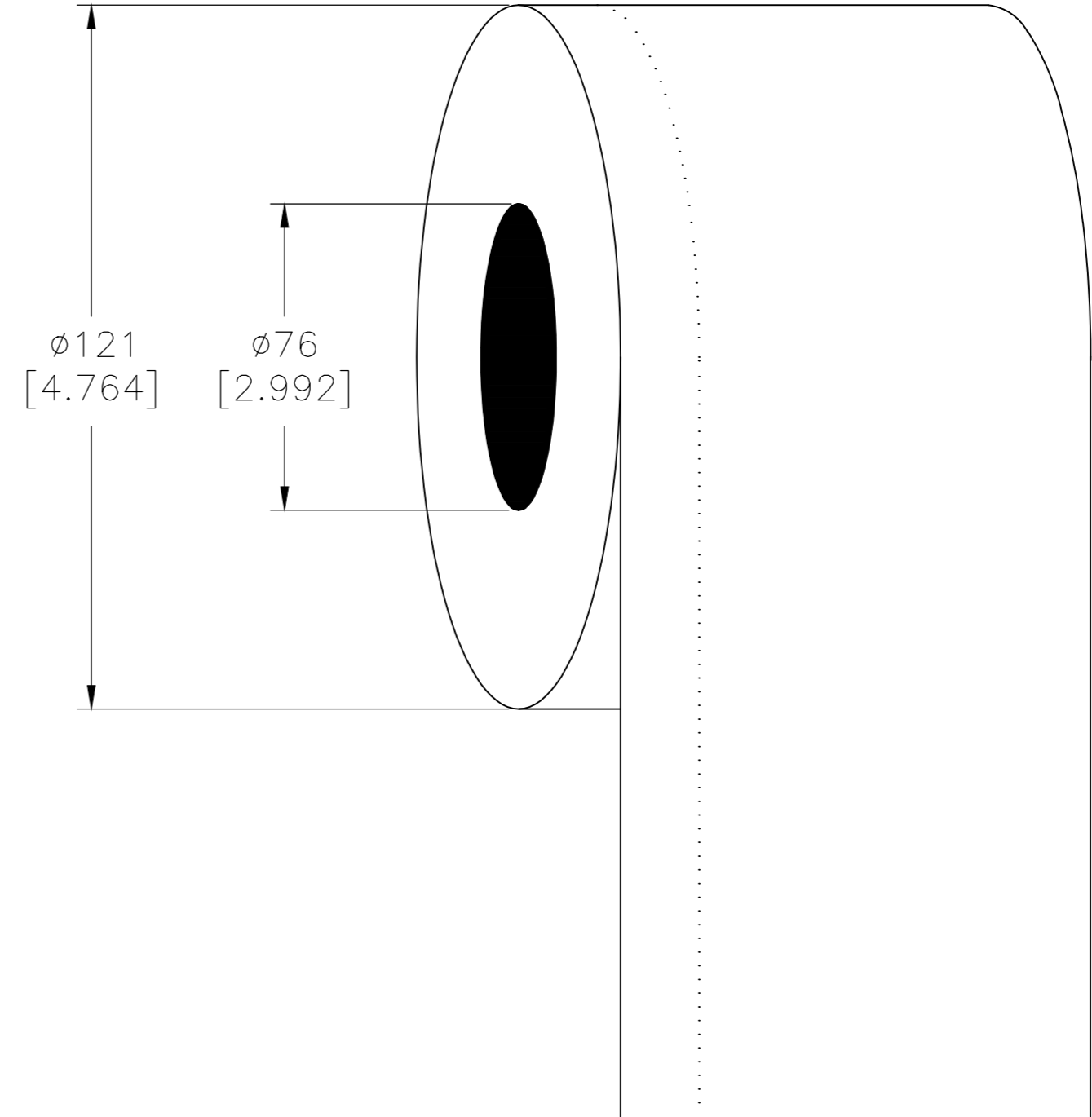
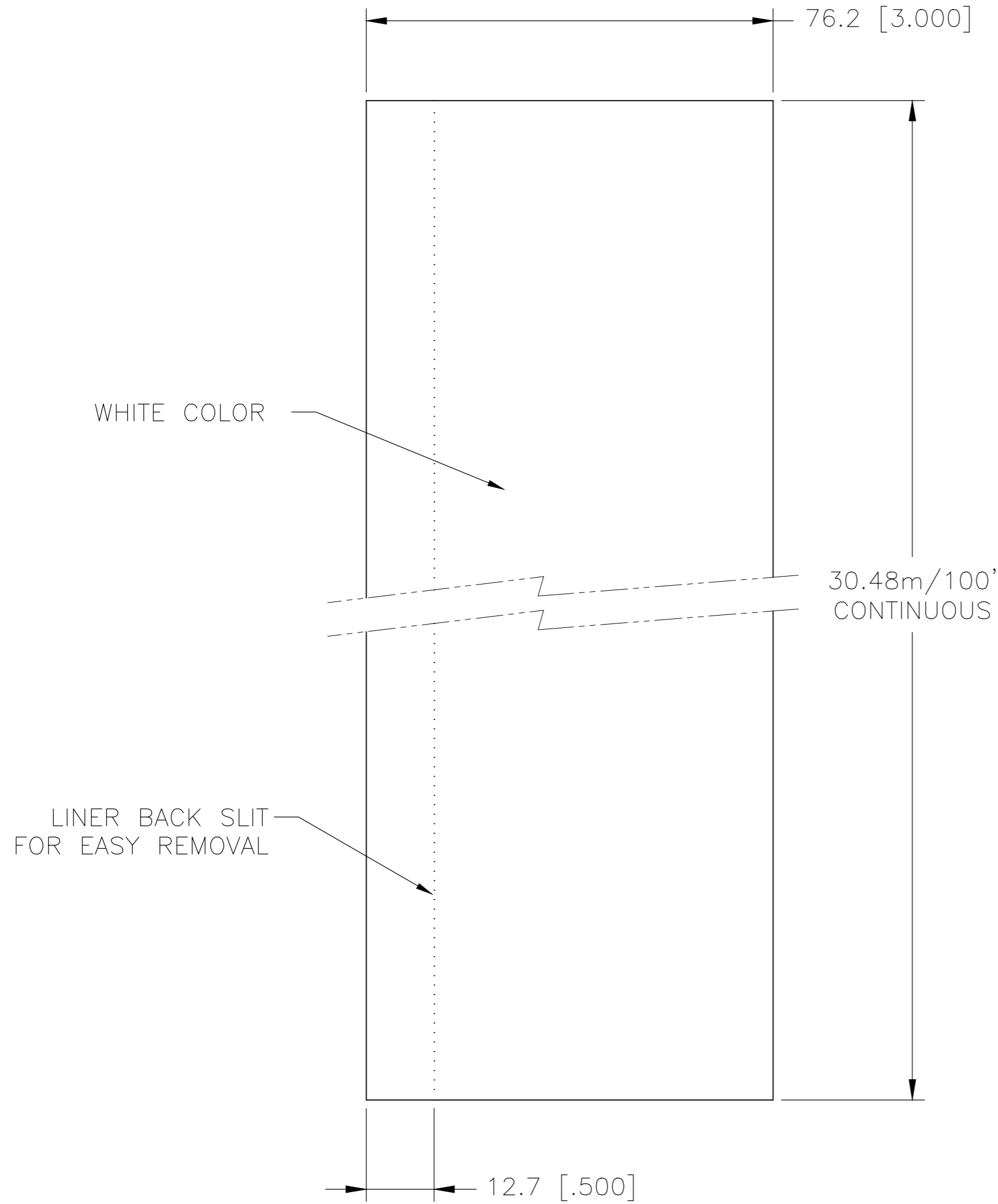


REVISIONS					
P	LTR	DESCRIPTION	DATE	DWN	APVD
A		NEW DRAWING	08MAY2020	GK	DB

LABEL AND LINER DESIGN

PRESENTATION



All dimensions in mm [Inch]

TE PN: 741048-000

OUTSIDE WOUND (BACK SLIT LEFT)
LABEL ACROSS: 1
PER ROLL QTY: 30.48m / 100 feet

MATERIAL	POLYVINYL FLUORIDE (TEDLAR®)		
ADHESIVE TYPE	PERMANENT ACRYLIC		
LINEAR	BROWN KRAFT		
DWN	12MAY2020	NAME	
CHK	GOPALAKRISHNA HV	TE Connectivity	
APVD	D.BURGAT	TEDLAR® LABEL – WHITE – CONTINUOUS	
PRODUCT SPEC	D.BURGAT	76.2mm x 30.4m (3inch x 100ft)	
APPLICATION SPEC	TTDS-005	SIZE	RESTRICTED TO
WEIGHT	318g	A2	—
CUSTOMER DRAWING	FB1U7	C=TTVF300WE-100	—
SCALE	NTS	SHEET	1 of 1
REV	A		

TOLERANCES mm [INCH]		THIS DRAWING IS A CONTROLLED DOCUMENT.	
LABEL HEIGHT:	±0.3 [.012]	DIMENSIONS:	TOLERANCES UNLESS OTHERWISE SPECIFIED
LABEL WIDTH:	±0.3 [.012]	mm [INCHES]	
WEB WIDTH:	±0.8 [.031]		
VERTICAL REPEAT:	±0.8 [.031]*		
HORIZONTAL REPEAT:	±0.8 [.031]*		
PRINT POSITIONING:	±0.8 [.031]*		
LEFT MARGIN:	±0.4 [.016]		
QUANTITY:	-0 % +2 %		
*NON ACCUMULATING		MATERIAL	FINISH
		SEE TABLE	GLOSS

TTVF300WE-100