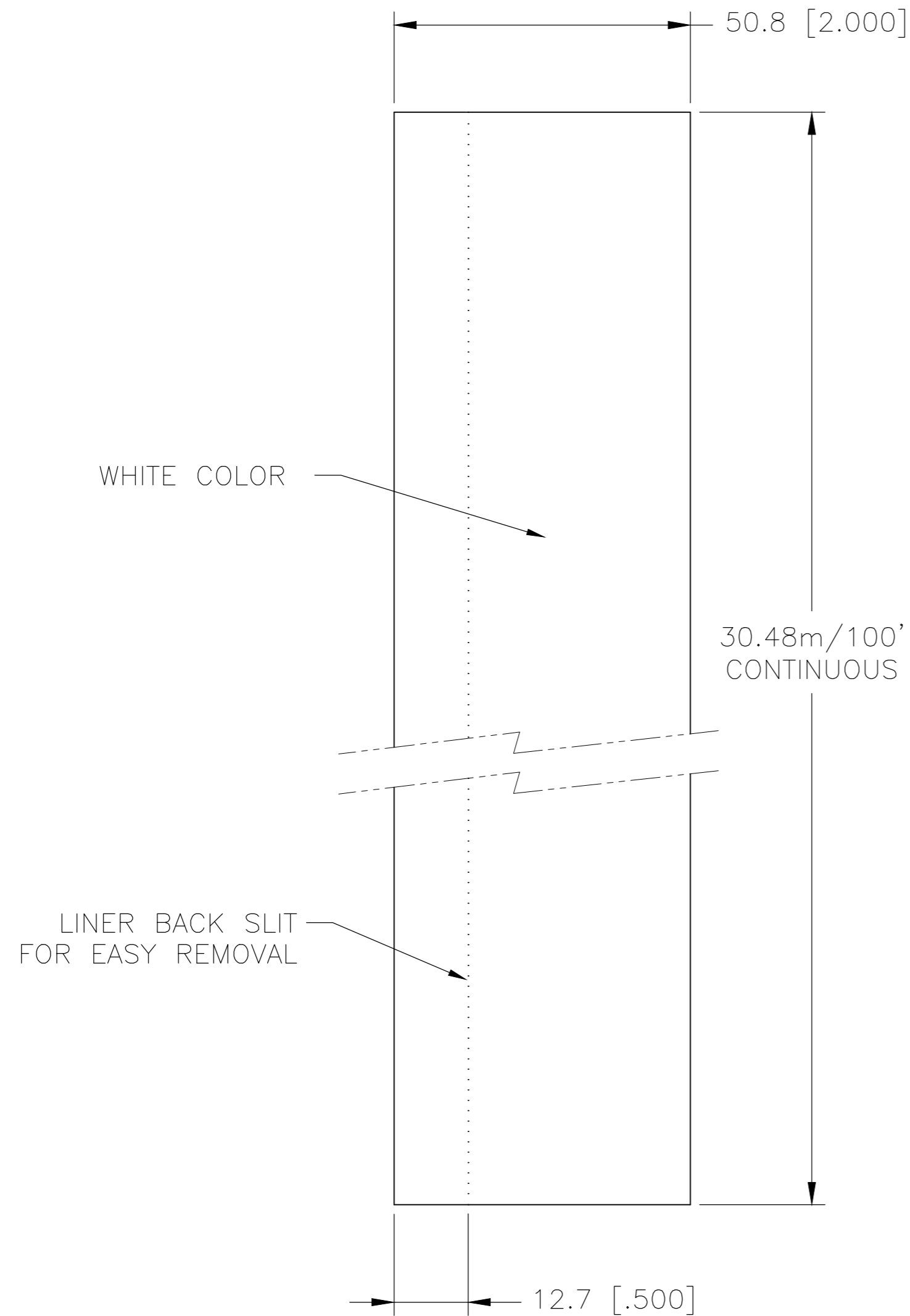
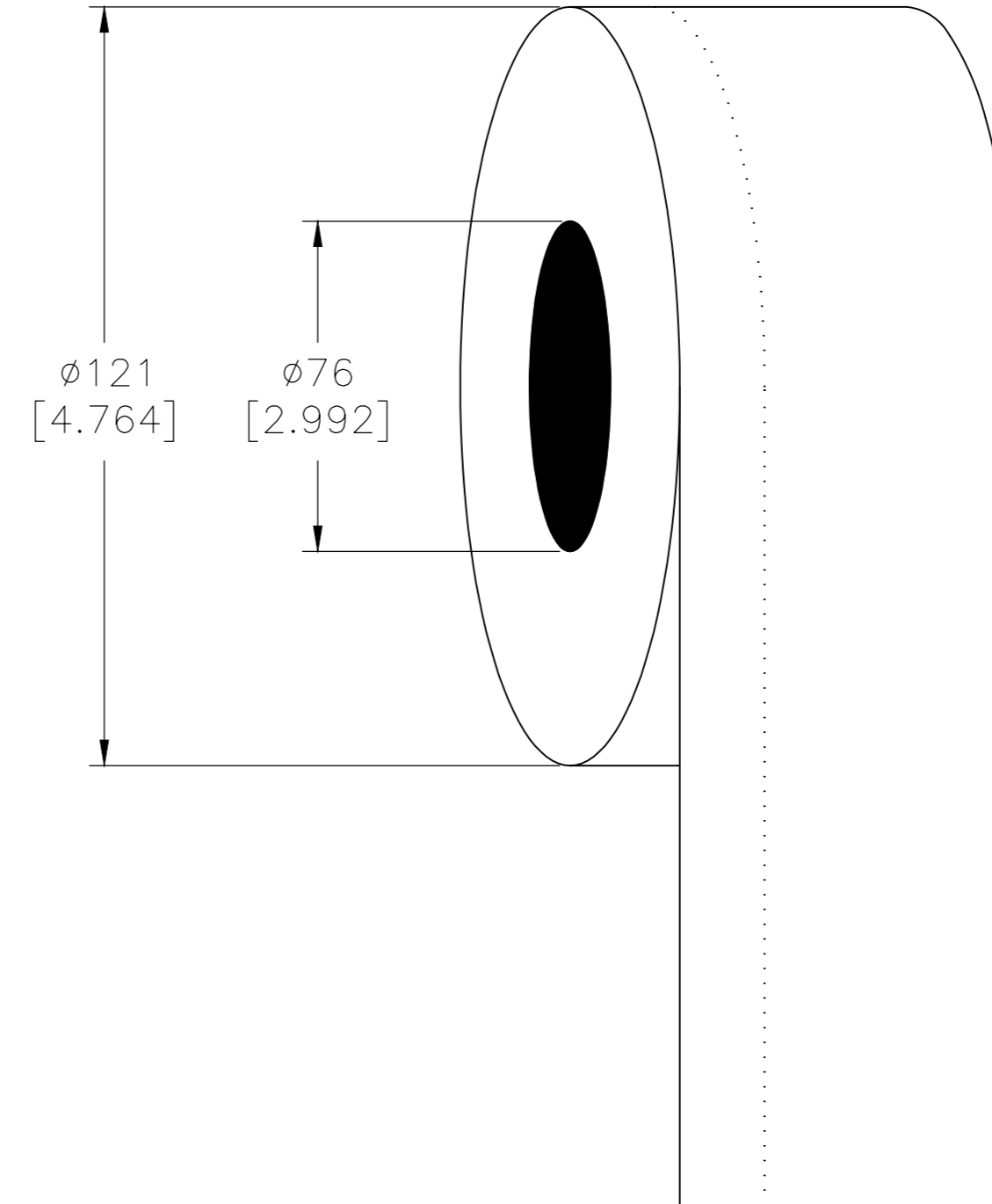


REVISIONS					
P	LTR	DESCRIPTION	DATE	DWN	APVD
	A1	NEW DRAWING FORMAT	08MAY2020	GK	DB

### LABEL AND LINER DESIGN



### PRESENTATION



All dimensions in mm [Inch]

**TE PN: 192868-000**

**OUTSIDE WOUND (BACK SLIT LEFT)  
LABEL ACROSS: 1  
PER ROLL QTY: 30.48m / 100 feet**

TOLERANCES mm [INCH]	
LABEL HEIGHT:	$\pm 0.3$ [.012]
LABEL WIDTH:	$\pm 0.3$ [.012]
WEB WIDTH:	$\pm 0.8$ [.031]
VERTICAL REPEAT:	$\pm 0.8$ [.031]*
HORIZONTAL REPEAT:	$\pm 0.8$ [.031]*
PRINT POSITIONING:	$\pm 0.8$ [.031]*
LEFT MARGIN:	$\pm 0.4$ [.016]
QUANTITY:	-0 % +2 %
*NON ACCUMULATING	

THIS DRAWING IS A CONTROLLED DOCUMENT.	
DIMENSIONS: mm [INCHES]	TOLERANCES UNLESS OTHERWISE SPECIFIED:
	0 PLC $\pm$
	1 PLC $\pm$ -
	2 PLC $\pm$ -
	3 PLC $\pm$ -
	4 PLC $\pm$ -
ANGLES	$\pm$ -
MATERIAL SEE TABLE	FINISH GLOSS

MATERIAL	POLYVINYL FLUORIDE (TEDLAR®)	
ADHESIVE TYPE	PERMANENT ACRYLIC	
LINEAR	BROWN KRAFT	
DWN	12MAY2020	TE Connectivity
CHK	12MAY2020	
APVD	12MAY2020	
NAME		
PRODUCT SPEC	TEDLAR® LABEL - WHITE - CONTINUOUS 50.8mm x 30.4m (2inch x 100ft)	
APPLICATION SPEC	-	
WEIGHT	212g	RESTRICTED TO
CUSTOMER DRAWING	SCALE NTS	SHEET 1 of 1
SIZE	A2	REV A1