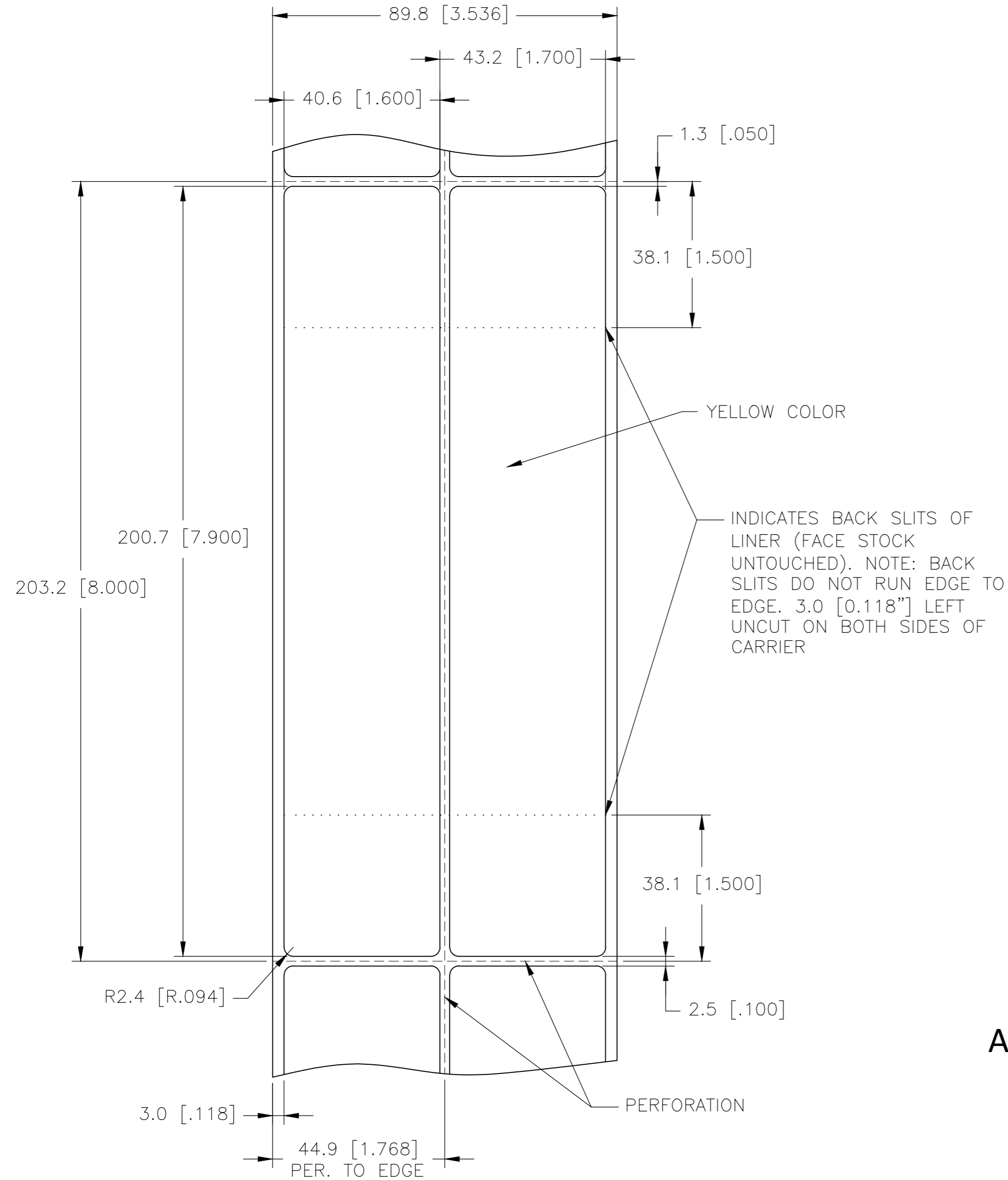
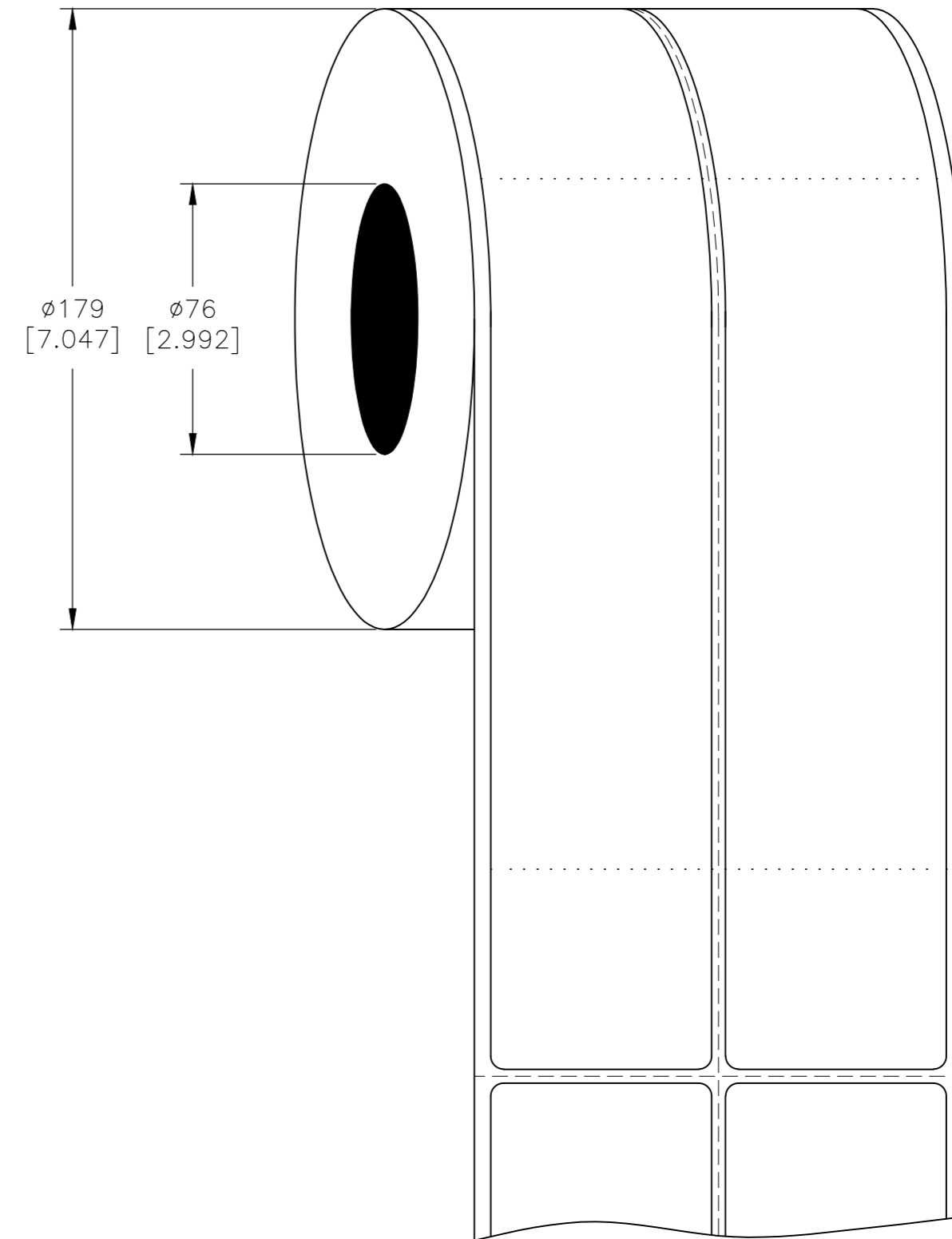


P	LTR	DESCRIPTION	DATE	DWN	APVD
A		NEW DRAWING	13MAY2020	GK	DB

LABEL AND LINER DESIGN



PRESENTATION



**OUTSIDE WOUND
LABEL ACROSS: 2
PER ROLL QTY: 1,000**

All dimensions in mm [Inch]

TE PN: CN3657-000

TOLERANCES mm [INCH]	
LABEL HEIGHT:	±0.3 [0.012]
LABEL WIDTH:	±0.3 [0.012]
WEB WIDTH:	±0.8 [0.031]
VERTICAL REPEAT:	±0.8 [0.031]*
HORIZONTAL REPEAT:	±0.8 [0.031]*
PRINT POSITIONING:	±0.8 [0.031]*
LEFT MARGIN:	±0.4 [0.016]
QUANTITY:	-0 % +2 %
*NON ACCUMULATING	

THIS DRAWING IS A CONTROLLED DOCUMENT.	
DIMENSIONS: mm [INCHES]	TOLERANCES UNLESS OTHERWISE SPECIFIED:
	0 PLC ±
	1 PLC ± -
	2 PLC ± -
	3 PLC ± -
4 PLC ± -	
ANGLES ± -	
MATERIAL SEE TABLE	FINISH GLOSS

MATERIAL POLYVINYL FLUORIDE (TEDLAR®)	ADHESIVE TYPE PERMANENT ACRYLIC	LINEAR BROWN KRAFT
DWN 13MAY2020 GOPALAKRISHNA HV		TE Connectivity
CHK 13MAY2020 D.BURGAT		
APVD 13MAY2020 D.BURGAT		NAME
PRODUCT SPEC TTDS-005		TEDLAR® LABEL - YELLOW - 2 ACCROSS 40.6mm x 200.7mm (1.6inch x 7.9inch)
APPLICATION SPEC		RESTRICTED TO
WEIGHT 1.117g	SIZE A2	CAGE CODE FB1U7
CUSTOMER DRAWING		DRAWING NO TTVF1679YW1
SCALE NTS	SHEET 1 of 1	REV A