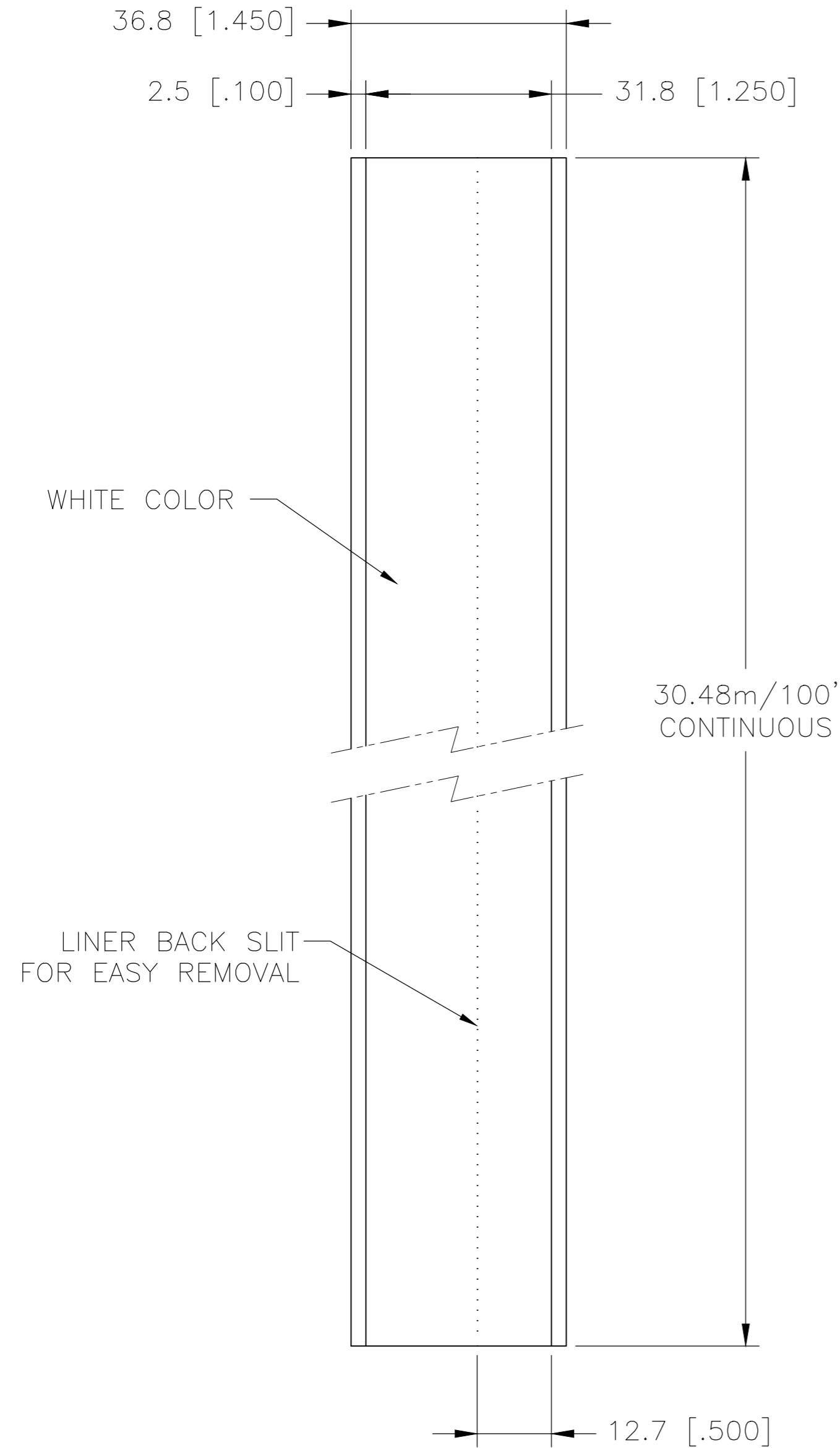
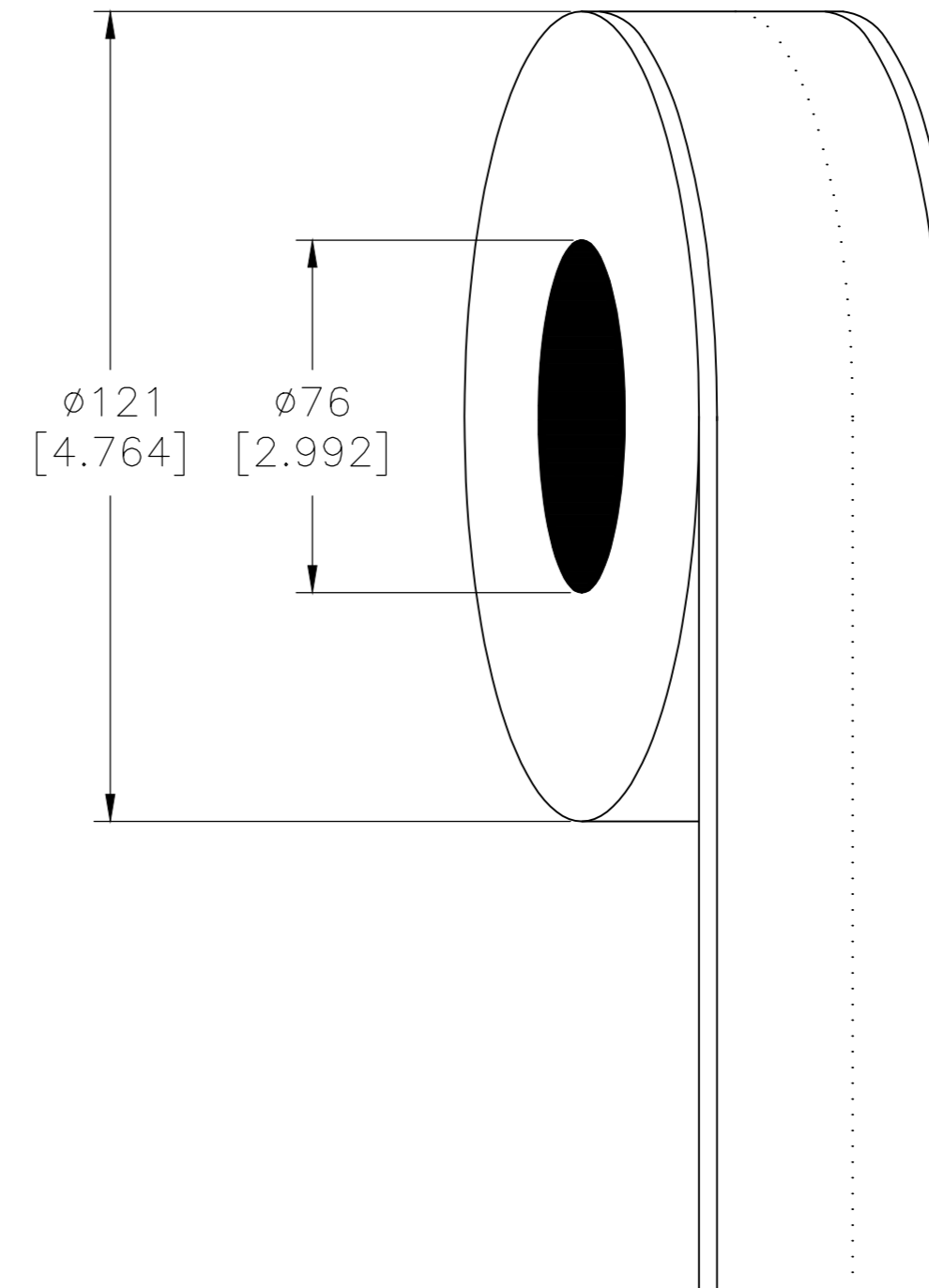


REVISIONS					
P	LTR	DESCRIPTION	DATE	DWN	APVD
A		NEW DRAWING	08MAY2020	GK	DB

LABEL AND LINER DESIGN



PRESENTATION



All dimensions in mm [Inch]

TE PN: 050324-000

**OUTSIDE WOUND (BACK SLIT RIGHT)
LABEL ACROSS: 1
PER ROLL QTY: 30.48m / 100 feet**

TOLERANCES mm [INCH]	
LABEL HEIGHT:	±0.3 [.012]
LABEL WIDTH:	±0.3 [.012]
WEB WIDTH:	±0.8 [.031]
VERTICAL REPEAT:	±0.8 [.031]*
HORIZONTAL REPEAT:	±0.8 [.031]*
PRINT POSITIONING:	±0.8 [.031]*
LEFT MARGIN:	±0.4 [.016]
QUANTITY:	-0 % +2 %
*NON ACCUMULATING	

THIS DRAWING IS A CONTROLLED DOCUMENT.	
DIMENSIONS: mm [INCHES]	TOLERANCES UNLESS OTHERWISE SPECIFIED:
	0 PLC ±
	1 PLC ± -
	2 PLC ± -
	3 PLC ± -
	4 PLC ± -
ANGLES ± -	
MATERIAL SEE TABLE	FINISH GLOSS

MATERIAL	POLYVINYL FLUORIDE (TEDLAR®)	
ADHESIVE TYPE	PERMANENT ACRYLIC	
LINEAR	BROWN KRAFT	
DWN GOPALAKRISHNA HV 12MAY2020	TE Connectivity	
CHK D.BURGAT 12MAY2020	NAME	
APVD D.BURGAT 12MAY2020	TEDLAR® LABEL - WHITE - CONTINUOUS	
PRODUCT SPEC TTDS-005	31.8mm x 30.4m (1.25inch x 100ft)	
APPLICATION SPEC	SIZE A2	CAGE CODE FB1U7
WEIGHT 133g	DRAWING NO TTVF125WE-100NTR	RESTRICTED TO -
CUSTOMER DRAWING	SCALE NTS	SHEET 1 of 1
	REV A	