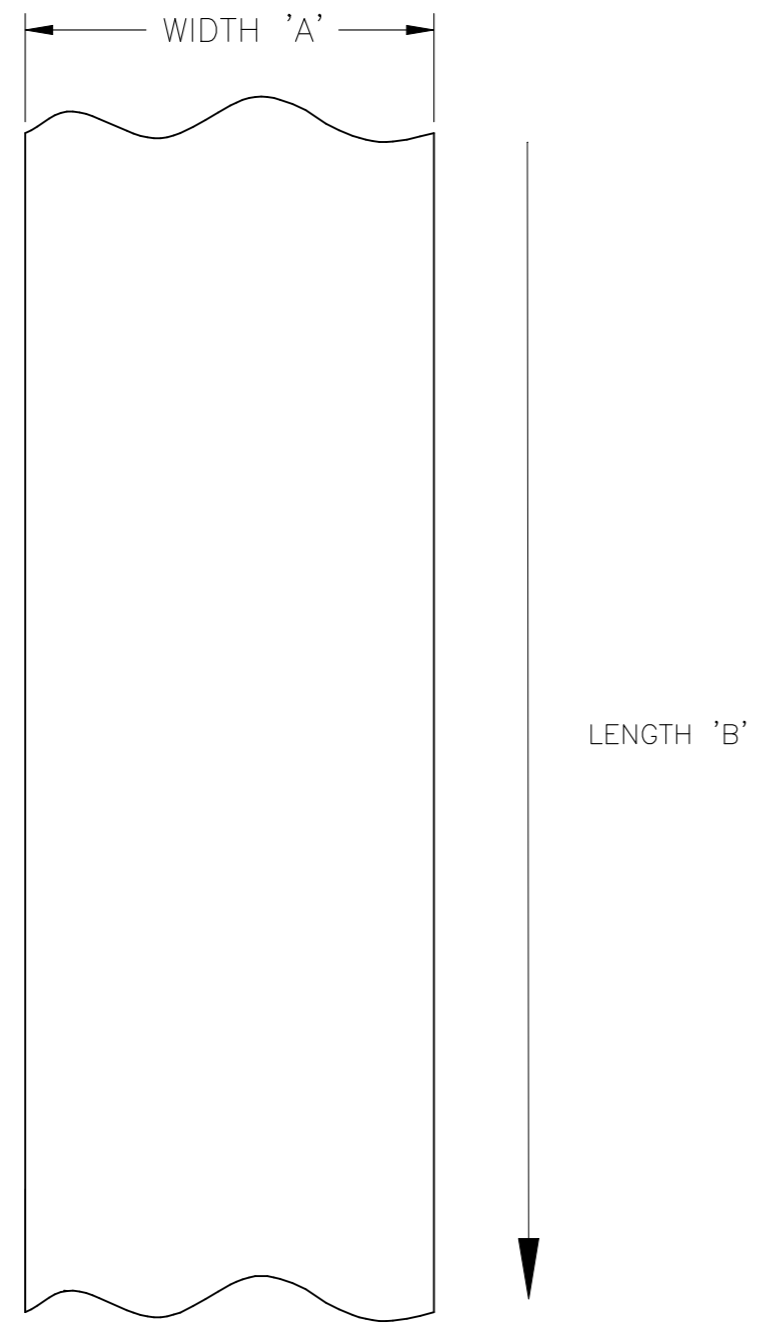
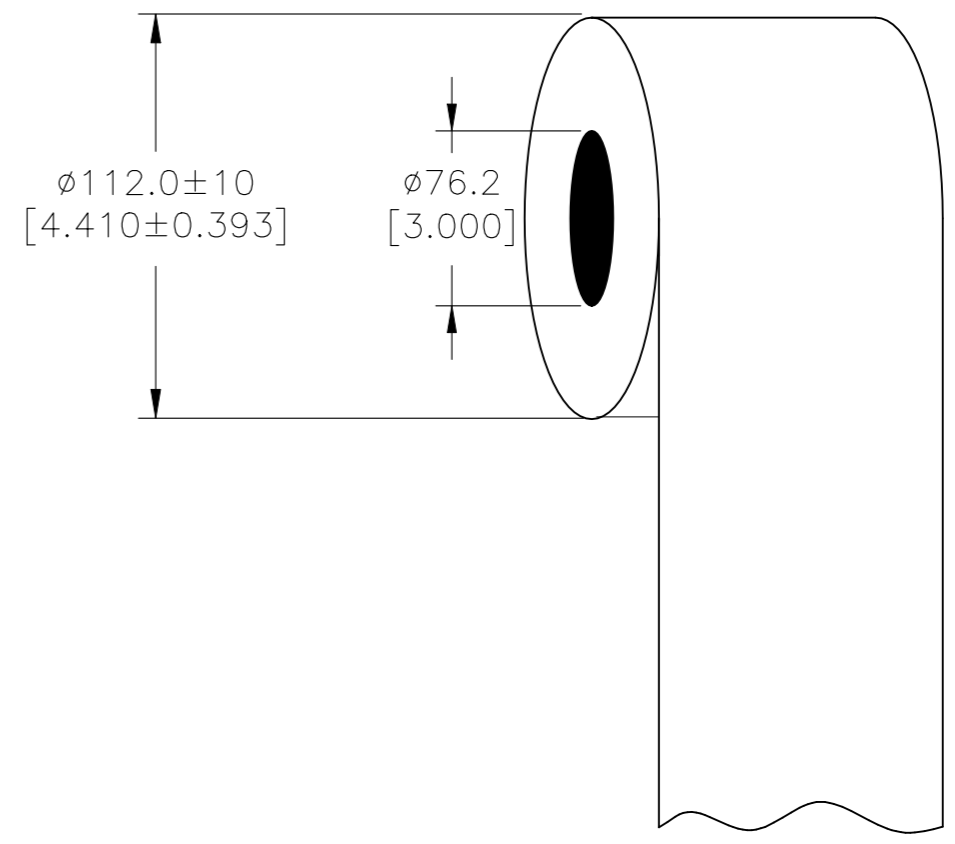


P	LTR	DESCRIPTION	DATE	DWN	APVD
	A	INITIAL RELEASE	18SEP2021	MN	AK

LABEL AND LINER DESIGN



PRESENTATION



TTP - CONTINUOUS POLYESTER LABEL

All dimensions in mm [Inches]

MATERIAL	WHITE POLYESTER FILM
ADHESIVE TYPE	PERMANENT
LINER	GLASSINE PAPER

DESCRIPTION	PART NUMBER	LABEL WIDTH (A)		LABEL LENGTH (B)	
		mm	Inch	m	Feet
TTP600WE-10	329190-000	152.4	6	30.48	100
TTP1000WE-10	CP0390-000	254.0	10	30.48	100

TOLERANCES mm [INCH]	
LABEL HEIGHT:	±0.3 [.012]
LABEL WIDTH:	±0.3 [.012]
WEB WIDTH:	±0.8 [.031]
VERTICAL REPEAT:	±0.8 [.031]*
HORIZONTAL REPEAT:	±0.8 [.031]*
PRINT POSITIONING:	±0.8 [.031]*
LEFT MARGIN:	±0.4 [.016]
QUANTITY:	-0 % +2 %
*NON ACCUMULATING	

THIS DRAWING IS A CONTROLLED DOCUMENT.

DIMENSIONS: mm [INCHES]	TOLERANCES UNLESS OTHERWISE SPECIFIED: 0 PLC ± - 1 PLC ± - 2 PLC ± - 3 PLC ± - 4 PLC ± - ANGLES ± -
MATERIAL SEE TABLE	FINISH -

DWN M. NUTTALL	18SEP2021
CHK M. NUTTALL	18SEP2021
APVD A. KEAN	18SEP2021
PRODUCT SPEC	TTDS-031
APPLICATION SPEC	-
WEIGHT	-
CUSTOMER DRAWING	

TE Connectivity		NAME TTP - CONTINUOUS POLYESTER LABELS	
		SIZE A3	CAGE CODE C2290
DRAWING NO G-TTP-TABULATED-CD		RESTRICTED TO -	
SCALE NTS	SHEET 1 OF 1	REV A	