

Technical Data

Construction

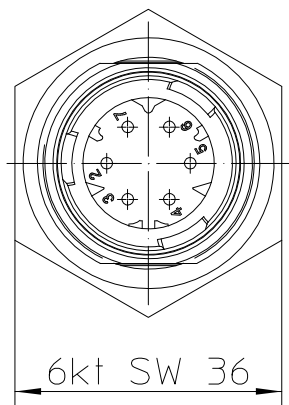
Socket material PA black
 Button material PMMA black
 Protection interior IP6K9K IEC 60529
 connector IP00 IEC 60529
 Max. torque max. 5 Nm
 Weight 30g

Mechanical Data

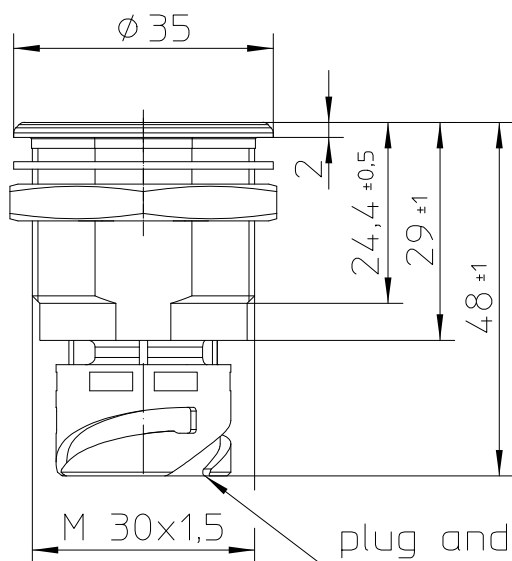
Pre travel 1,5±0,5mm
 Total travel 2,5±0,5mm
 Operating force 30 to 45N
 Current carrying parts Cu-alloy
 Contact material Ag-alloy
 Mechanical life 100 000 cycles
 Temperature Range -40°C to +90°C

Electrical Data

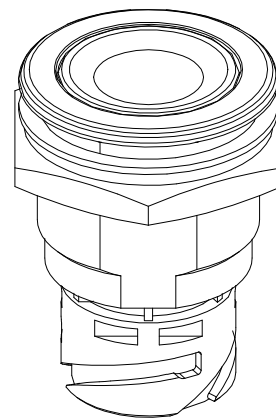
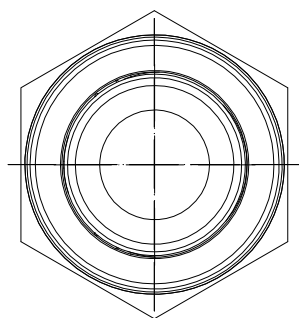
Voltage Range 9VDC to 32VDC
 Electrical load 10mA to 5A



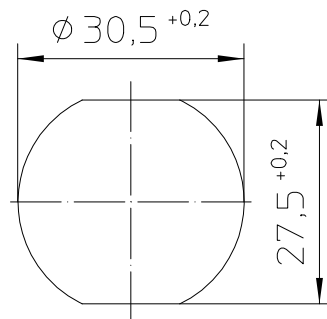
6kt SW 36



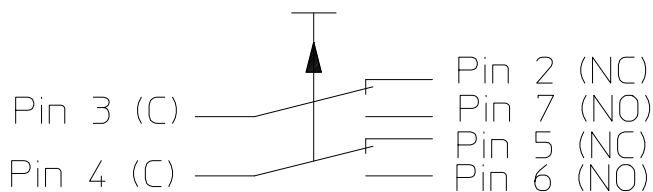
plug and socket device
 6-pol in accordance to
 DIN 72585 / ISO 15170



Mounting Dimensions



Circuit Diagram



For this drawing we reserve the copyright in accordance with DIN ISO 16016

	Date	Name
Create	18.10.2013	Azubi
Edited	26.03.2019	Hamar
Check	27.03.2019	Baumg

mm	Scale
↔	1:1
General Tolerances DIN ISO 2768 cL	



Drawing No:	TS-221-SW11 908
NSN:	