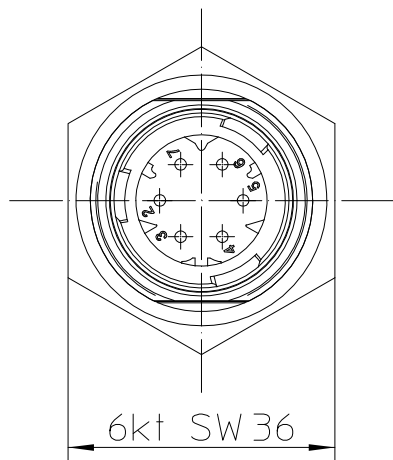
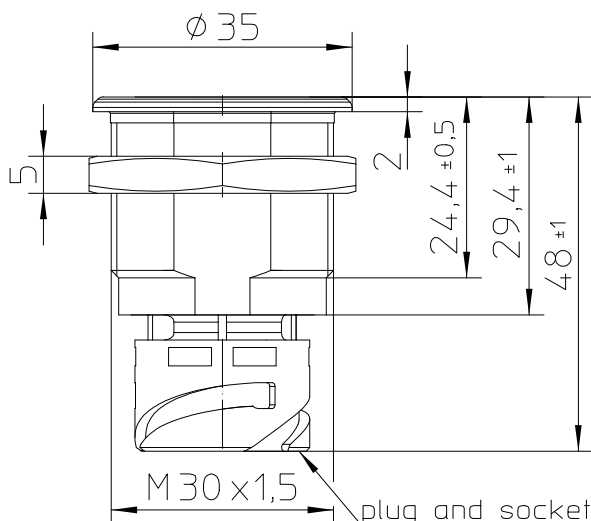


EC No.
21415
21607
22060
22595
22615

Push Button Switch

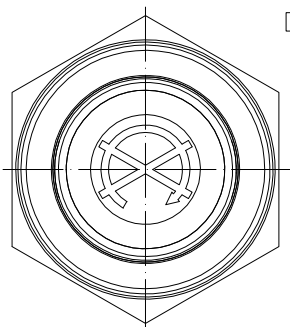


6kt SW36



M30 x 1,5

plug and socket device
6-pol in accordance to
DIN 72585 / ISO 15170



Technical Data

Construction

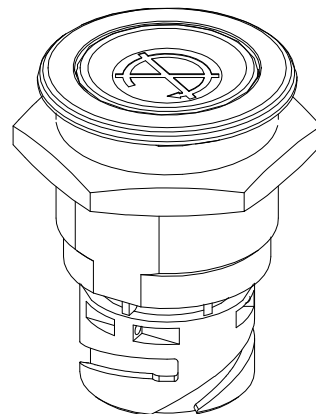
Socket material PA black
 Button material PMMA red
 Protection interior..... IP6K9K IEC 60529
 connector..... IP00 IEC 60529
 Max. torque max. 5 Nm
 Weight 30g

Mechanical Data

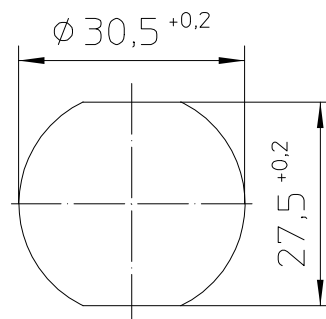
Pre travel 1,5±0,5mm
 Total travel 2,5±0,5mm
 Operating force 30 to 45N
 Current carrying parts..... Cu-alloy
 Contact material Ag-alloy
 Mechanical life..... 100 000 cycles
 Temperature Range -40°C to +90°C

Electrical Data

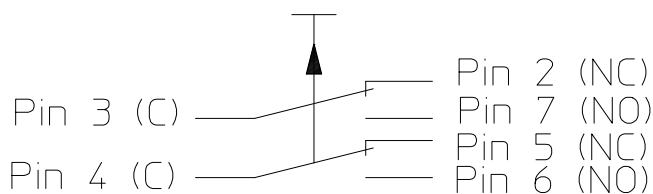
Voltage Range 9VDC to 32VDC
 Electrical load 10mA to 5A



Mounting Dimensions



Circuit Diagram



For this drawing we reserve the copyright in accordance with DIN ISO 16016

	Date	Name
Create	29.07.2010	Weiro
Edited	25.03.2019	Hamar
Check	25.03.2019	Baumg

mm	Scale
↔	1:1
General Tolerances	
DIN ISO 2768 cL	



Drawing No:	TS-221-RT41
NSN:	