

## Technical Data

### Construction

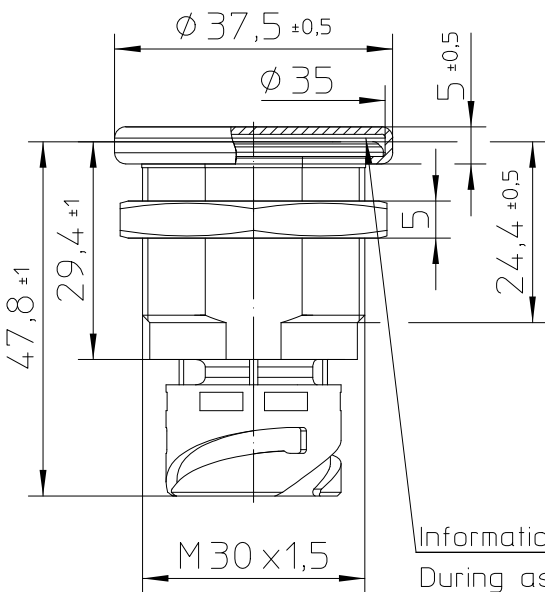
Socket material .....PA black  
 Button material ..... PMMA green  
 protective cap material ..... TF5THT B102  
 Protection interior .....IP6K9K IEC 60529  
 connector ..... IP00 IEC 60529  
 Max. torque .....max. 5 Nm  
 Weight .....approx. 35g

### Mechanical Data

Pre travel .....1,5±0,5mm  
 Total travel .....2,5±0,5mm  
 Operating force .....30-45N  
 Current carrying parts ..... Cu-alloy  
 Contact material .....Ag-alloy  
 Mechanical life .....100 000 cycles  
 Temperature Range .....-40°C to +70°C

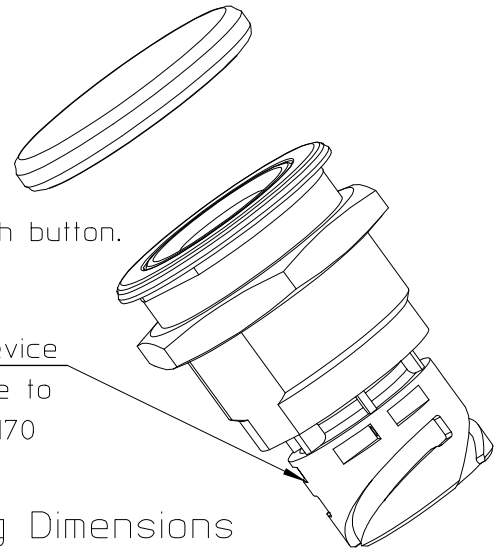
### Electrical Data

Voltage Range .....9VDC to 32VDC  
 Electrical load .....10mA to 5A

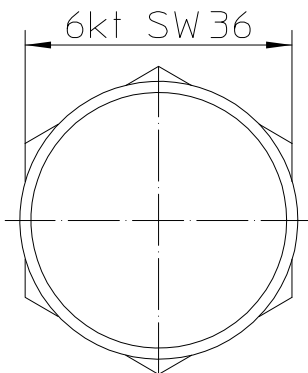


#### Information:

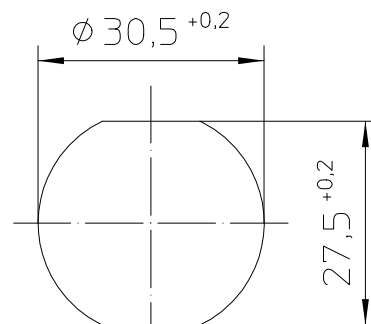
During assemble of the nut, the cap has to be pressed to avoid an air gap between the cover and push button.



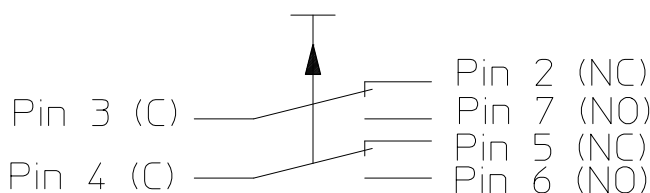
plug and socket device  
 6-pol in accordance to  
 DIN 72585 / ISO 15170



### Mounting Dimensions



### Circuit Diagram



For this drawing we reserve the copyright in accordance with DIN ISO 16016

	Date	Name
Create	12.07.2019	Mielk
Edited	12.07.2019	Mielk
Check	12.07.2019	Baumg

mm	Scale
↔	1:1
General Tolerances DIN ISO 2768 cL	



Drawing No:	TS-221-GN11 917
NSN:	