

# NOTES:

## General Note:

1. All assemblies must be 100% tested for VSWR
2. No component substitutions are permitted

## Mechanical Note:

1. Overall Height: 84 mm from G.P.
2. Weight: 5.25 oz
3. IP Rating: IP67
4. Operating temp: -30C to +80C
5. Color: White
6. Mounting: Permanent Mount (See "Recommended Mounting Conditions")
7. Installation Torque: 4 - 6 ft\*lbs on Nut

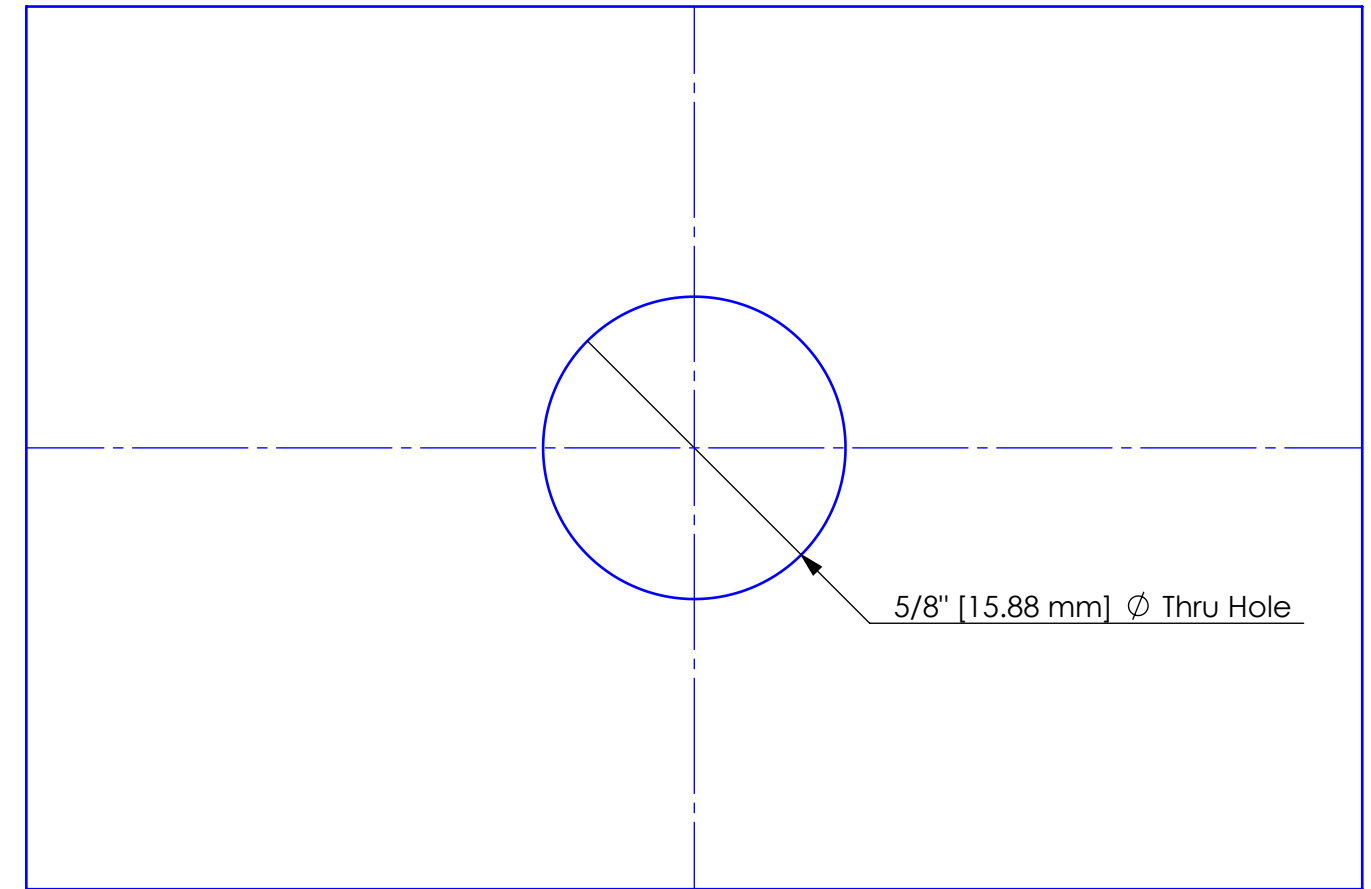
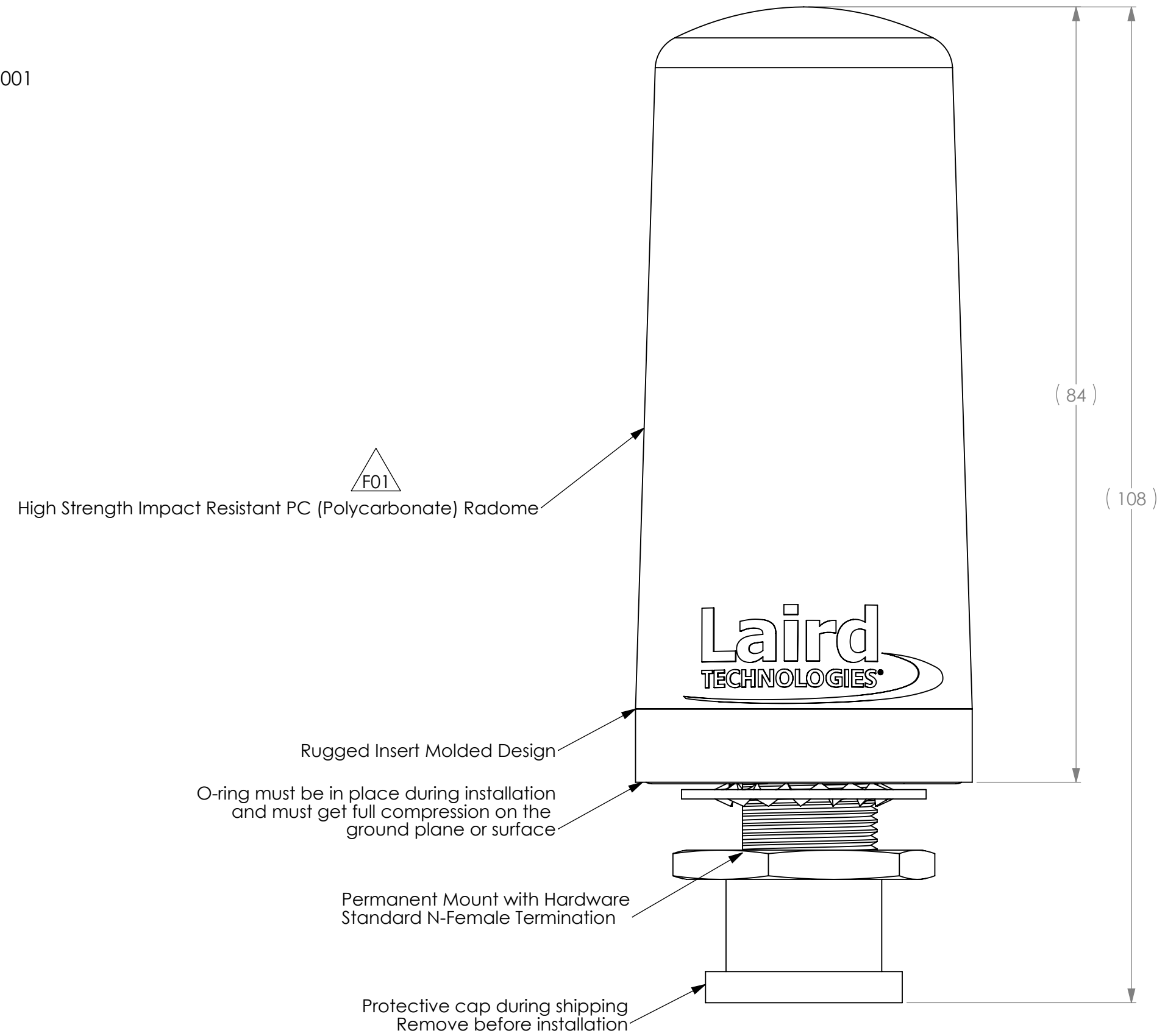
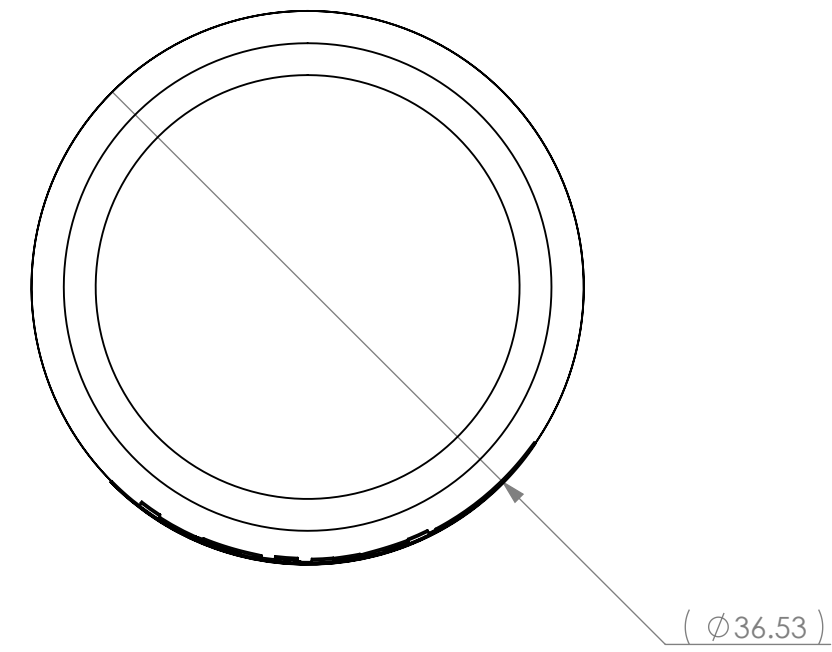
## Electrical Note:

1. Frequency Range: 698 - 960 MHz; 1710 - 2700 MHz
2. VSWR:  $\leq 2.3:1$  @ 698MHz,  $\leq 2:1$  @ 1710MHz
3. Nominal Impedance: 50 OHM
4. Gain (dBi): 3 dBi
5. Polarization: Vertical
6. Pattern: Omnidirectional
7. Ground Plane: Tested on 2' x 2' G.P.

## Packaging Note:

1. Laird Technologies SKU: TRA6927M3PW-001
2. Package: S1136
3. Units per Package: 1
4. Package Label: Printed Bag
5. Box: N/A
6. Units per Box: N/A
7. Box Label: N/A

REVISIONS					
ZONE	REV.	DESCRIPTION	DATE	DRAWN BY	ECR NUMBER
	A	Initial Release	1/26/2012	BPH	N/A
B-2	B	Frequency Range was 698-896 MHz	25APR14	RLS	ECN 2365
	F01	UPDATED MATERIAL FOR RADOME: PC WAS ABS	03SEP2018	WTN	ECO-18-00376



Recommended Mounting Conditions:  
Metallic surface should be as flat and clean as possible  
Hole should be centered as much as possible



**Notes:**  
THE COMPONENTS(S), INCLUDING ANY PLATING, FINISHES, COATINGS, CHEMICALS AND SURFACES TREATMENTS, SUPPLIED IN THIS DOCUMENT/DRAWING MUST CONFORM AND COMPLY WITH THE LATEST ISSUE OF LAIRD TECHNOLOGIES SPECIFICATION LT-GES-001, WHICH FULLY INCLUDES BUT IS NOT LIMITED TO ALL CONTENTS OF EU DIRECTIVES 2002/96/EC (RoHS DIRECTIVE), AS WELL AS INCLUDES REQUIREMENTS OF THE JOINT INDUSTRY GUIDE STANDARD JIG-101, APRIL 2005. THE COMPONENT(S) IN THIS DOCUMENT/DRAWING MAY BE SUBJECT TO A FULL COMPOUND ANALYSIS FOR PROOF OF COMPLIANCE. THE LATEST ISSUE OF LAIRD TECHNOLOGIES SPECIFICATION LT-GES-001, (GENERAL SPECIFICATION FOR THE ENVIRONMENT) IS READILY AVAILABLE UPON REQUEST FROM THE SUPPLIER.

UNLESS OTHERWISE NOTED, THIS DOCUMENT CONTAINS LAIRD TECHNOLOGIES CONFIDENTIAL INFORMATION. REPRODUCTION, USE, DISCLOSURE OR TRANSMITTAL OF ALL OR ANY PART OF THIS DOCUMENT IS PROHIBITED EXCEPT TO THE EXTENT APPROVED IN WRITING BY AN AUTHORIZED REPRESENTATIVE OF LAIRD TECHNOLOGIES. LAIRD TECHNOLOGIES RESERVES ALL RIGHTS UNDER PATENTS, TRADEMARKS, COPYRIGHTS AND TRADE SECRETS. COPYRIGHT, LAIRD TECHNOLOGIES 2008, ALL RIGHTS RESERVED.

MATERIAL: N/A		THIRD ANGLE PROJECTION
FINISH: N/A		
APPROVALS	DATE	INTERPRET DIMENSIONING AND TOLERANCING IN ACCORDANCE WITH ASME Y14.5M-1994 DO NOT SCALE DRAWING TOLERANCES UNLESS OTHERWISE SPECIFIED DIMENSIONS ARE IN MILLIMETERS
ME: S. SAFVI	25APR14	
RF: R. HARO	25APR14	
EM:		
Prod:		
ANGLE:		±30'
0 PLACE DECIMAL:		±0.5
1 PLACE DECIMAL:		±0.25
2 PLACE DECIMAL:		±0.13



TITLE:	
OMNI, Ph, 698/1710 MHz, 3 dBi, 100W, PMNT	
SIZE DWG NO.	REV
A2 TRA6927M3PW-001 - MO	F01