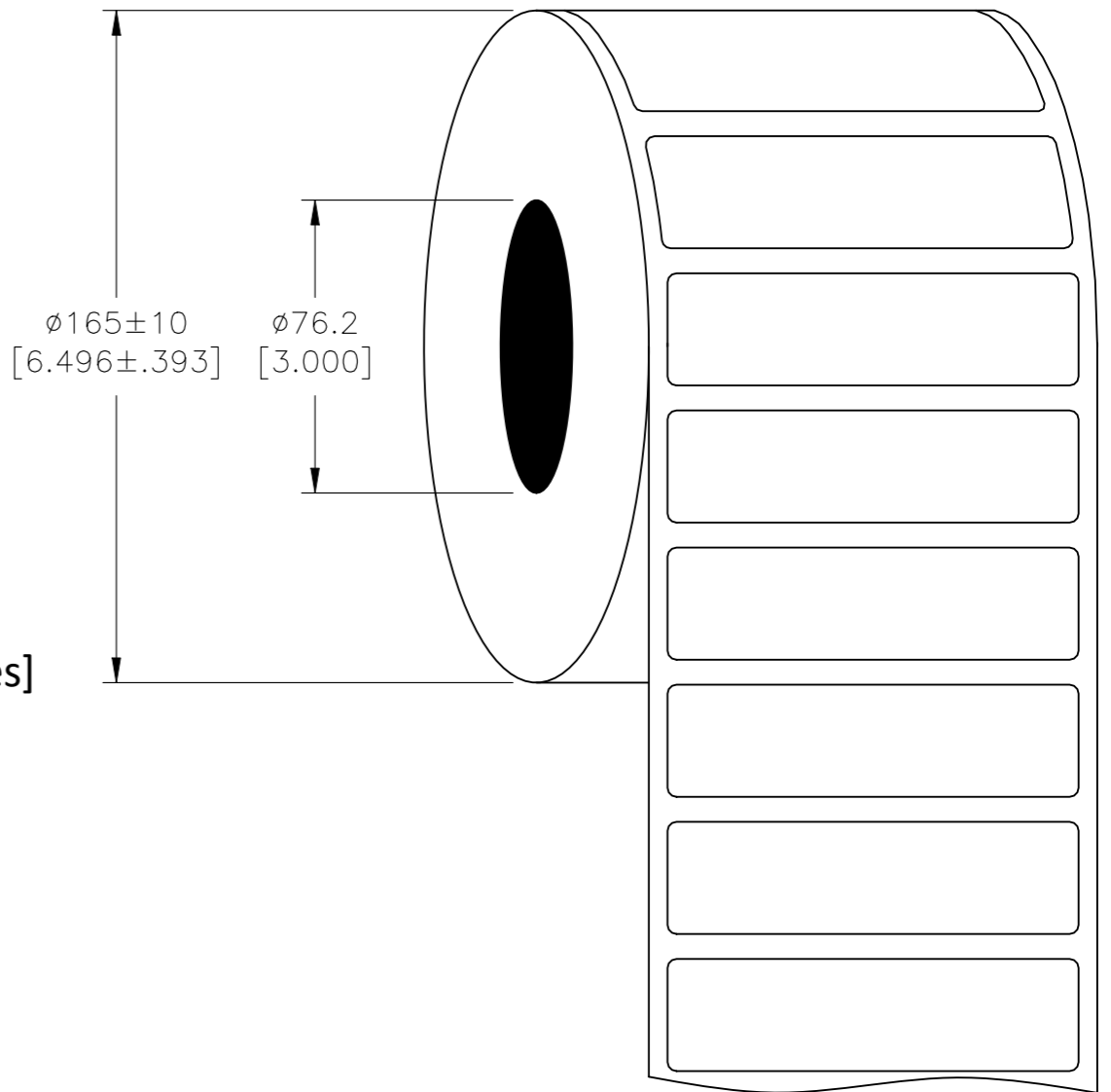
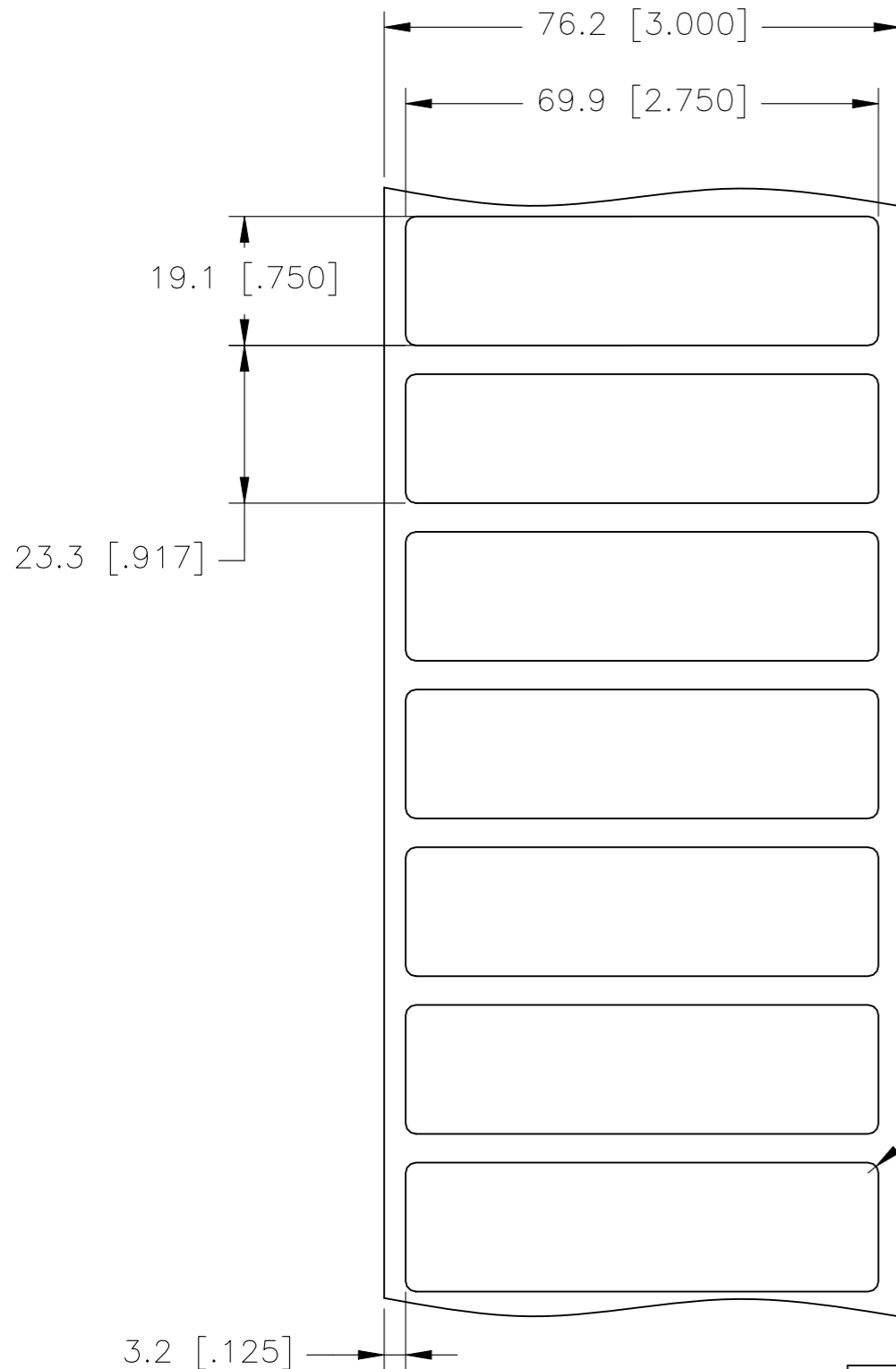


P	LTR	DESCRIPTION	DATE	DWN	APVD
	A	INITIAL RELEASE	01APR2022	MN	AK

LABEL AND LINER DESIGN

PRESENTATION



All dimensions in mm [Inches]

TE PN: D14042-000

**OUTSIDE WOUND
LABEL ACROSS: 1
PER ROLL QTY: 5000**

MATERIAL	TAMPER EVIDENT DESTRUCTIBLE POLYETHYLENE
ADHESIVE TYPE	PERMANENT ACRYLIC
LINER	GLASSINE PAPER

TOLERANCES mm [INCH]	
LABEL HEIGHT:	±0.3 [.012]
LABEL WIDTH:	±0.3 [.012]
WEB WIDTH:	±0.8 [.031]
VERTICAL REPEAT:	±0.8 [.031]*
HORIZONTAL REPEAT:	±0.8 [.031]*
PRINT POSITIONING:	±0.8 [.031]*
LEFT MARGIN:	±0.4 [.016]
QUANTITY:	-0 % +2 %
*NON ACCUMULATING	

THIS DRAWING IS A CONTROLLED DOCUMENT.	
DIMENSIONS: mm [INCHES]	TOLERANCES UNLESS OTHERWISE SPECIFIED:
	0 PLC ± -
	1 PLC ± -
	2 PLC ± -
	3 PLC ± -
	4 PLC ± -
ANGLES ± ± -	
MATERIAL SEE TABLE	FINISH -

DWN M NUTTALL	01APR2022	TE Connectivity	NAME		
CHK M NUTTALL	01APR2022		TN - TAMPER EVIDENT DESTRUCTIBLE POLYETHYLENE LABELS		
APVD A KEAN	01APR2022		SIZE	CAGE CODE	DRAWING NO
PRODUCT SPEC TTDS-091					
APPLICATION SPEC					
WEIGHT 0.161g		A3	C2290	C-TN-699191-5-9	
CUSTOMER DRAWING		SCALE NTS	SHEET 1 OF 1	REV A	