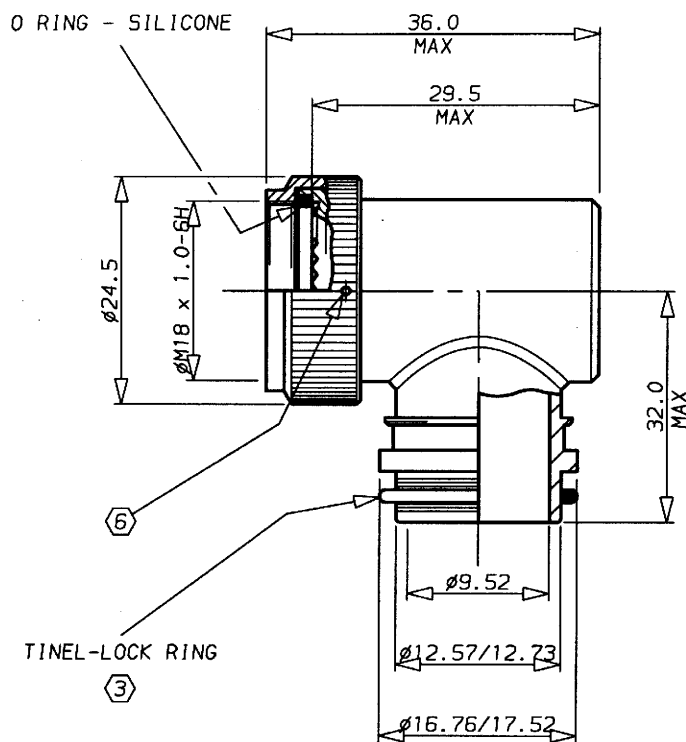


ISSUE	DESCRIPTION	DRAWN	DATE	APPR
A	INITIAL ISSUE	IRT	NOV 01	KJW



CODE 40 TKR TINEL-LOCK 90° ADAPTOR

**NOTES**

1. THIS PRODUCT IS DESIGNED TO TERMINATE A BRAIDED CABLE SHIELD AND A HEAT SHRINKABLE LIPPED BOOT TO A CONNECTOR - SEE NOTE 5.
2. SEE CH00-0250-008 FOR ORDERING INFORMATION AND SHEET 2 FOR PART NUMBERING SYSTEM.
- ③ SEE DRAWING TR FOR DETAIL ON TINEL-LOCK RING. RINGS ARE DESIGNED TO BE HEATED ELECTRICALLY. ALL RINGS ARE MARKED WITH THERMOCHROMIC PAINT WHICH CHANGES COLOUR WHEN INSTALLATION TEMPERATURE IS REACHED.
4. ADAPTOR TO BE PERMANENTLY MARKED WITH CODE IDENTIFICATION NUMBER AND PART NUMBER LESS RING DESIGNATOR. (e.g. 06090-TKR40AB90-1206). RING SHALL BEAR NO MARKING.
- ⑤ ADAPTOR MATES TO: MIL-C-38999 SERIES III AND IV, CLASS C, F, K AND W, D38999/20, /24, /26, /40, /46 AND /47 CONNECTORS. WHEN SO MATED IT SHALL PROVIDE A WATER-TIGHT SEAL MEETING THE REQUIREMENTS OF MIL-C-85049, PARA 3.5.7.
- ⑥ ACCESSORY NUT HAS THREE LOCK-WIRE HOLES 120° APART.

SPECIFICATION CONTROL DRAWING

**tyco**/Electronics **Raychem**

DO NOT SCALE  
THIS DRAWING

THIS DRAWING AND THE INFORMATION SET FORTH HEREON ARE THE PROPERTY OF TYCO AND ARE TO BE HELD IN TRUST AND CONFIDENCE. PUBLICATION, DUPLICATION, DISCLOSURE OR USE FOR ANY OTHER PURPOSE NOT EXPRESSLY AUTHORISED IN WRITING BY TYCO IS PROHIBITED.

TITLE

TINEL-LOCK ADAPTOR - 90°

DRAWN	IRT	DATE
		NOV 01
CHECKED	KJW	DATE
		NOV 01
APPROVED	KJW	DATE
		NOV 01
PROJECT NO	85007-40	

CODE IDENT  
NUMBER  
06090

DRAWING NUMBER  
TKR40\*90-1206

ISSUE  
A

SHEET 1 OF 2  
TKR40901206SCD-1

ISSUE	DESCRIPTION	DRAWN	DATE	APPR
A	INITIAL ISSUE	IRT	NOV 01	KJW

TKR 40 A B 90-12 06 B I

PRODUCT DESIGNATOR \_\_\_\_\_  
 TKR = ADAPTOR AND RING (K = KOREA)

⑤ CONNECTOR CODE \_\_\_\_\_

MATERIAL \_\_\_\_\_  
 SEE CH00-0250-008

FINISH \_\_\_\_\_  
 SEE S-CH00-0157-002

CONFIGURATION \_\_\_\_\_  
 90 = 90°

ORDER NUMBER \_\_\_\_\_

ENTRY SIZE \_\_\_\_\_

BRAID DESIGNATOR \_\_\_\_\_  
 BRAID A: SINGLE LAYER 36 AWG  
 BRAID B: SINGLE LAYER 30 AWG  
 DOUBLE LAYER 36 AWG

RING WITH INSULATING LINING \_\_\_\_\_

SPECIFICATION CONTROL DRAWING



DO NOT SCALE  
 THIS DRAWING

THIS DRAWING AND THE INFORMATION SET FORTH HEREON ARE THE PROPERTY OF TYCO AND ARE TO BE HELD IN TRUST AND CONFIDENCE. PUBLICATION, DUPLICATION, DISCLOSURE OR USE FOR ANY OTHER PURPOSE NOT EXPRESSLY AUTHORISED IN WRITING BY TYCO IS PROHIBITED.

TITLE  
 TINEL-LOCK ADAPTOR - 90°

DRAWN	IRT	DATE
CHECKED	KJW	NOV 01
APPROVED	KJW	NOV 01
PROJECT NO	85007-40	

CODE IDENT	DRAWING NUMBER	ISSUE
NUMBER	TKR40**90-1206	A
06090		