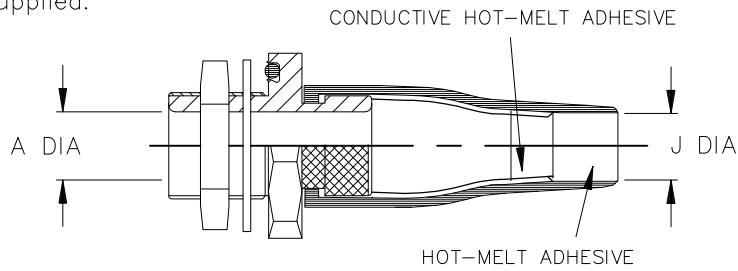
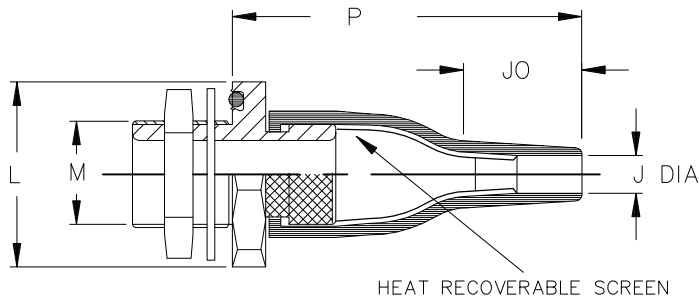


| REVISIONS | | | | |
|-----------|-----|-------------------------------|-----------|------|
| P | LTR | DESCRIPTION | DATE | APVD |
| | 3 | RELEASED AS PER ECO-17-009529 | 03JUL2017 | MP |

a) Part as supplied.



b) Part after unrestricted recovery.



NOTES:

TCFR-XX-XXX-OXX-25CH



Moulded Part Material: -25C (Black); Elastomer/Silver Composites, Fluid Resistant

Kits to include cleaning tissue, 1 piece 100 grit emery cloth & packing piece.
Kit to be used in conjunction with TCFS installation procedure.

Dimensions in mm [inches for reference]

| Part No. | A MIN | J | | M THREAD | A/F NUT | L NOM | P ±10% b | JO REF b |
|----------|-------------|-------------|------------|-------------|------------|-----------|----------------|----------------|
| | | MIN a | MAX b | | | | | |
| TCFR-12 | 7.4 [.29] | 8.0 [.31] | 5.0 [.20] | M12 X 1.5 | 17 [.67] | 24 [.94] | 50 [1.97] | 15 [.59] |
| TCFR-16 | 10.1 [.40] | 13.0 [.51] | 6.0 [.24] | M16 X 1.5 | 22 [.87] | 29 [1.14] | 52 [2.05] | 17 [.67] |
| TCFR-20 | 14.1 [.56] | 15.0 [.59] | 7.2 [.28] | M20 X 1.5 | 27 [1.06] | 34 [1.34] | 60 [2.36] | 20 [.79] |
| TCFR-24 | 19.1 [.75] | 19.0 [.75] | 8.5 [.33] | M24 X 1.5 | 30 [1.18] | 38 [1.50] | 74 [2.91] | 25 [.98] |
| TCFR-30 | 24.1 [.95] | 24.0 [.94] | 10.0 [.39] | M30 X 1.5 | 36 [1.42] | 47 [1.85] | 85 [3.35] | 30 [1.18] |
| TCFR-36 | 30.1 [1.19] | 33.0 [1.30] | 15.8 [.62] | M36 X 1.5 | 41 [1.61] | 52 [2.05] | 95 [3.74] | 30 [1.18] |
| TCFR-48 | 40.1 [1.58] | 39.0 [1.54] | 16.8 [.66] | M48 X 1.5 | 55 [2.17] | 67 [2.64] | 112 [4.41] | 38 [1.50] |

RELEASED FOR PUBLICATION

ALL RIGHTS RESERVED.

COPYRIGHT 2016 By TE Connectivity

THIS DRAWING IS UNPUBLISHED.

| | | | | | | |
|--|------------------|------------------------|----------|-----------|--------|------------------------------|
| DIMENSIONS: mm [INCHES] | DWN P. VU | 17OCT2016 | MATERIAL | SEE NOTES | FINISH | SEE NOTES |
| | CHK N. NAGAR | 17OCT2016 | | | | |
| TOLERANCES UNLESS OTHERWISE SPECIFIED: | APVD M. POPE | 17OCT2016 | | | | |
| 0 PLC ± - | PRODUCT SPEC | NAME | | | | ADAPTOR ASSEMBLY |
| 1 PLC ± - | — | — | | | | |
| 2 PLC ± - | APPLICATION SPEC | SIZE | | | | RESTRICTED TO |
| 3 PLC ± - | — | A4 00779 | | | | |
| 4 PLC ± - | — | DRAWING NO | | | | SCALE DNS SHEET 1 OF 1 REV 3 |
| ANGLES ± - | WEIGHT | C-TCFR-XX-XXX-OXX-25CH | | | | |
| CUSTOMER DRAWING | | | | | | |

