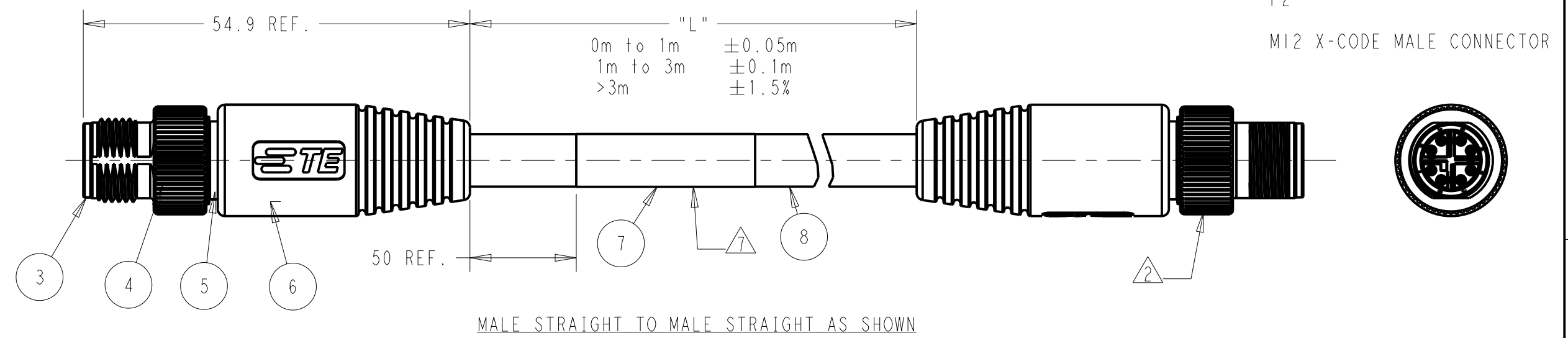
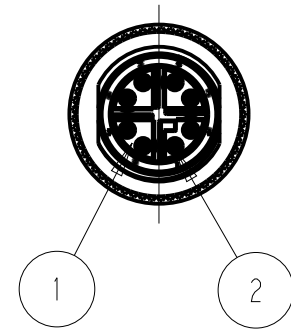


© 2020 TE Connectivity. All Rights Reserved.

9	RA OVERMOLD FOR TPE CABLE ASSY	TPU	BLACK
	RA OVERMOLD FOR PUR CABLE ASSY	TPU	BLACK
	RA OVERMOLD FOR PVC CABLE ASSY	PVC	BLACK
8	CABLE CAT6A TPE	TPE JACKET	TEAL
	CABLE CAT6A PUR	PUR JACKET	GREEN
	CABLE CAT6A PVC	PVC JACKET	GREEN
7	LABLE	-	-
6	ST OVERMOLD FOR TPE CABLE ASSY	TPU	BLACK
	ST OVERMOLD FOR PUR CABLE ASSY	TPU	BLACK
	ST OVERMOLD FOR PVC CABLE ASSY	PVC	BLACK
5	SHEATH BODY	ZINC ALLOY	TIN
4	COUPLING RING	ZINC ALLOY	NICKEL
3	CROSS SHIELDING	ZINC ALLOY	NICKEL
2	CONTACT	COPPER ALLOY	FLASH GOLD
1	INSERT HOUSING	NYLON	BLACK
ITEM	DESCRIPTION	MATERIAL	COMMENT

REVISIONS				
P	LTR	DESCRIPTION	DATE	APVD
	A	INITIAL RELEASE	05DEC2020	G.W C.W

P1  
M12 X-CODE MALE CONNECTOR

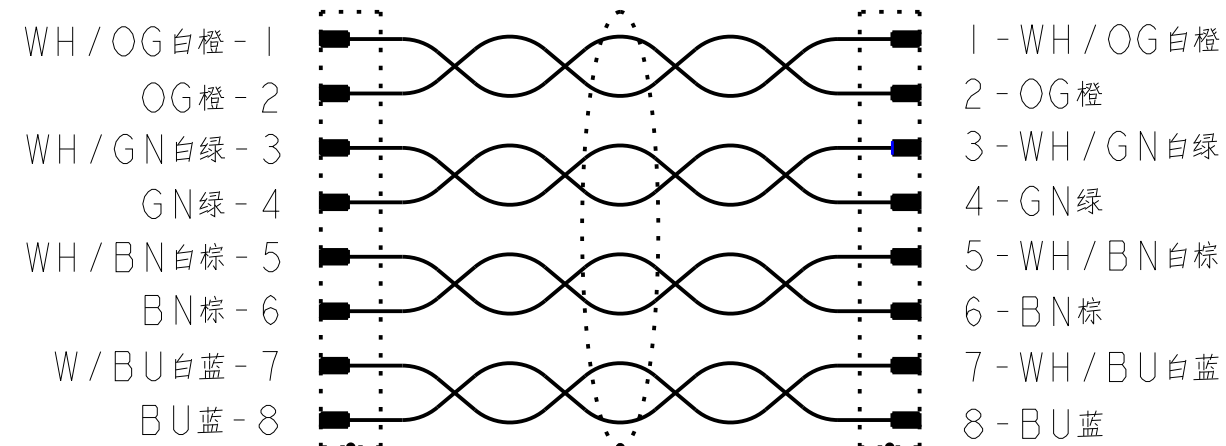


P2  
M12 X-CODE MALE CONNECTOR

CIRCUIT DIAGRAM

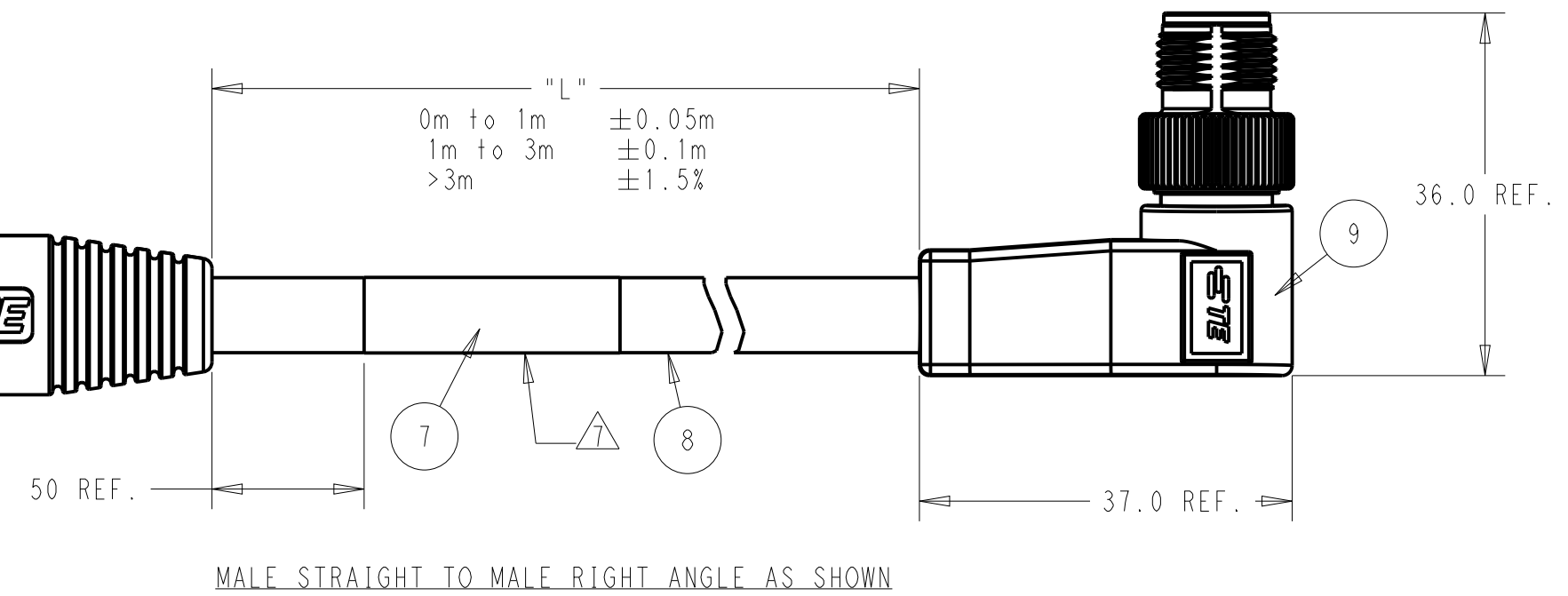
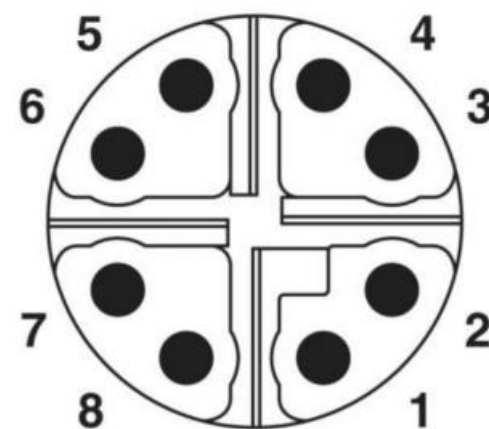
M12 MALE

M12 MALE

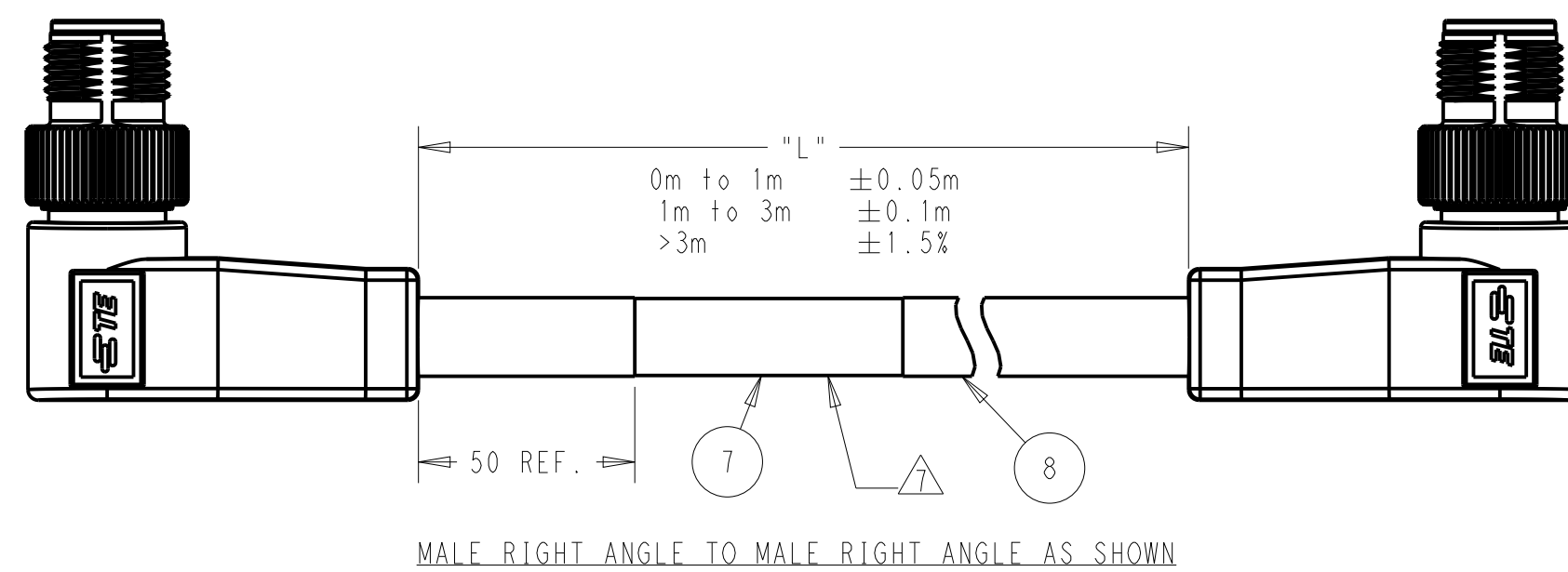


SHIELDED

M12 X-CODE MALE PIN ASSIGNMENT



MALE STRAIGHT TO MALE RIGHT ANGLE AS SHOWN



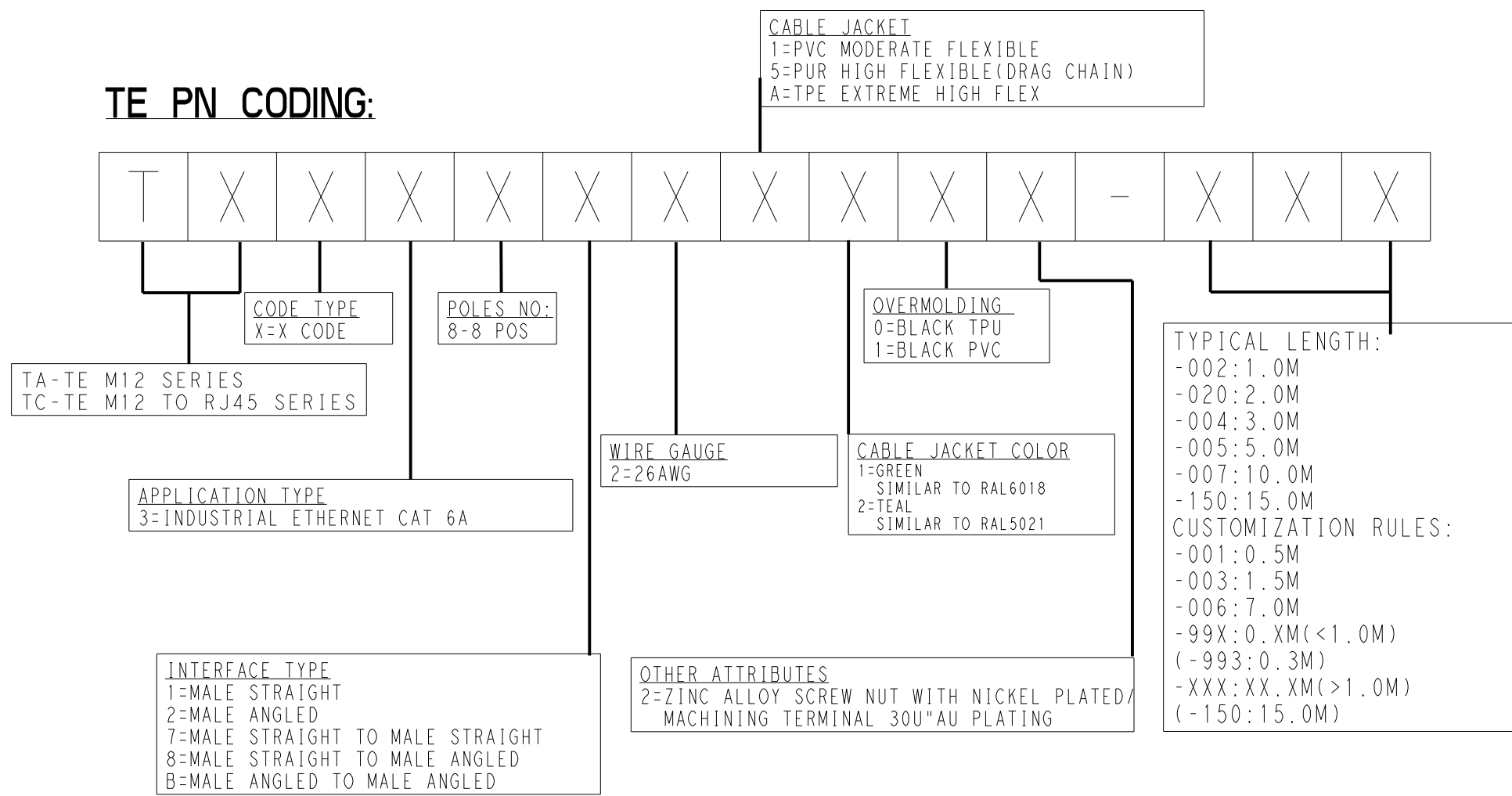
MALE RIGHT ANGLE TO MALE RIGHT ANGLE AS SHOWN

THIS DRAWING IS A CONTROLLED DOCUMENT.		DWN 05NOV2020 GAVIN WANG	TE Connectivity
DIMENSIONS: mm		CHK 05NOV2020 KEVIN HUANG	
TOLERANCES UNLESS OTHERWISE SPECIFIED:		APVD 05NOV2020 CHRIS WANG	
0 PLC ± 1 PLC ± 2 PLC ± 3 PLC ± 4 PLC ± ANGLES ± FINISH -		PRODUCT SPEC 108-137538 APPLICATION SPEC 114-137538 WEIGHT - CUSTOMER DRAWING	
MATERIAL TBD		NAME M12 X-CODE CABLE ASSY, SHIELDED MALE TO MALE	RESTRICTED TO
		SIZE A2	CAGE CODE 00779
		DRAWING NO. C-TAX38X2XXX2XXX	SCALE 3:2
		SHEET 1 OF 2	REV A

REVISIONS

P	LTR	DESCRIPTION	DATE	DWN	APVD
		SEE SHEET 1			

TE PN CODING:



NOTE:

1. TECHNICAL DATA:SEE TABLE 1
- △. TYPICAL HAND TIGHTENED TORQUE IS 0.4 Nm
- △. -\*\* :CABLE LENGTH, FOR EXAMPLE: -1.0M
4. CABLE ASSEMBLY TO BE PACKAGED AS PACKAGING SPECIFICATION.
5. TEMPERATURE RANGE: -25°C~80°C(MOVED)  
-40°C~80°C(FIXED)
6. TRANSMISSION CHARACTERISTICS: Ethernet CAT 6A, 10 Gbps
- △. LABEL CONTAINS: PN, DATE CODE...

注释:

1. 技术参数:参考表 1
- △. 标准手拧扭矩0.4 Nm
- △. -\*\* :线缆长度 例如:1.0M
4. 线缆组件按照包装规范包装;
5. 工作温度: -25°C~80°C(MOVED)  
-40°C~80°C(FIXED)
6. 传输特性:CAT 6A, 10Gbps
- △. 标签包含: 产品编号, 日期代码...

TABLE 2

WIRES: 26AWGX4P WIRES COLOR: SEE ABOVE PIN ASSIGNMENT OD: APPROX.7.45MM TEMPERATURE RANG: DRAG CHAIN TEST: 1.0MILLION CYCLES MIN. (R=75MM,V=2M/S,A=2M/S <sup>2</sup> ) TORSION REST:3 MILLION MIN.	TYPICAL LENGTH: -002:1.0M -020:2.0M -004:3.0M -005:5.0M -007:10.0M -150:15.0M CUSTOMIZATION RULES: -001:0.5M -003:1.5M -006:7.0M -99X:0.XM(<1.0M) (-993:0.3M) -XXX:XX.XM(>1.0M) (-150:15.0M)	M12带TPE线X型直型8针公插 转M12 X型直型8针公插X.XM	RPC-M12X-8MS-**SH-M12X-8MS-TPE△3	8	TAX3872A202-XXX
		M12带TPE线X型弯型8针公插 转M12 X型弯型8针公插X.XM	RPC-M12X-8MR-**SH-M12X-8MR-TPE△3	8	TAX38B2A202-XXX
		M12带TPE线X型直型8针公插 转M12 X型弯型8针公插X.XM	RPC-M12X-8MS-**SH-M12X-8MR-TPE△3	8	TAX3882A202-XXX
		M12带PUR线X型直型8针公插 转M12 X型直型8针公插X.XM	RPC-M12X-8MS-**SH-M12X-8MS-PUR△3	8	TAX38725102-XXX
		M12带PUR线X型弯型8针公插 转M12 X型弯型8针公插X.XM	RPC-M12X-8MR-**SH-M12X-8MR-PUR△3	8	TAX38B25102-XXX
		M12带PUR线X型直型8针公插 转M12 X型弯型8针公插X.XM	RPC-M12X-8MS-**SH-M12X-8MR-PUR△3	8	TAX38825102-XXX
		M12带PVC线X型直型8针公插 转M12 X型直型8针公插X.XM	RPC-M12X-8MS-**SH-M12X-8MS-PVC△3	8	TAX38721112-XXX
		M12带PVC线X型弯型8针公插 转M12 X型弯型8针公插X.XM	RPC-M12X-8MR-**SH-M12X-8MR-PVC△3	8	TAX38B21112-XXX
		M12带PVC线X型直型8针公插 转M12 X型弯型8针公插X.XM	RPC-M12X-8MS-**SH-M12X-8MR-PVC△3	8	TAX38821112-XXX
CABLE CHARACTERISTIC 线缆特性	LENGTH "L"(M) 长度"L"(米)	DESCRIPTION 描述	TYPE 型号	POS.	TE PN TE料号

TABLE 1

TRANSMISSION	CAT6A
RATED VOLTAGE	30V MAX
RATED CURRENT	0.5A MAX
CONTACT RESISTANT	15mΩ Max
INSULATION WITHSTAND	100MΩ Min
PROTECTION	IP67(MATED)

THIS DRAWING IS A CONTROLLED DOCUMENT.

DWN 05NOV2020  
GAVIN WANG  
CHK 05NOV2020  
KEVIN HUANG  
APVD 05NOV2020  
CHRIS WANG

STE TE Connectivity

DIMENSIONS:	TOLERANCES UNLESS OTHERWISE SPECIFIED:
mm	0 PLC ± 1 PLC ± 2 PLC ± 3 PLC ± 4 PLC ± ANGLES ± FINISH

PRODUCT SPEC  
108-137538  
APPLICATION SPEC  
114-137538  
WEIGHT

NAME  
M12 X-CODE CABLE ASSY, SHIELDED MALE TO MALE

SIZE CAGE CODE DRAWING NO RESTRICTED TO  
A2 00779 C-TAX38X2XXX2XXX

CUSTOMER DRAWING

SCALE 3:2 SHEET 2 OF 2 REV A