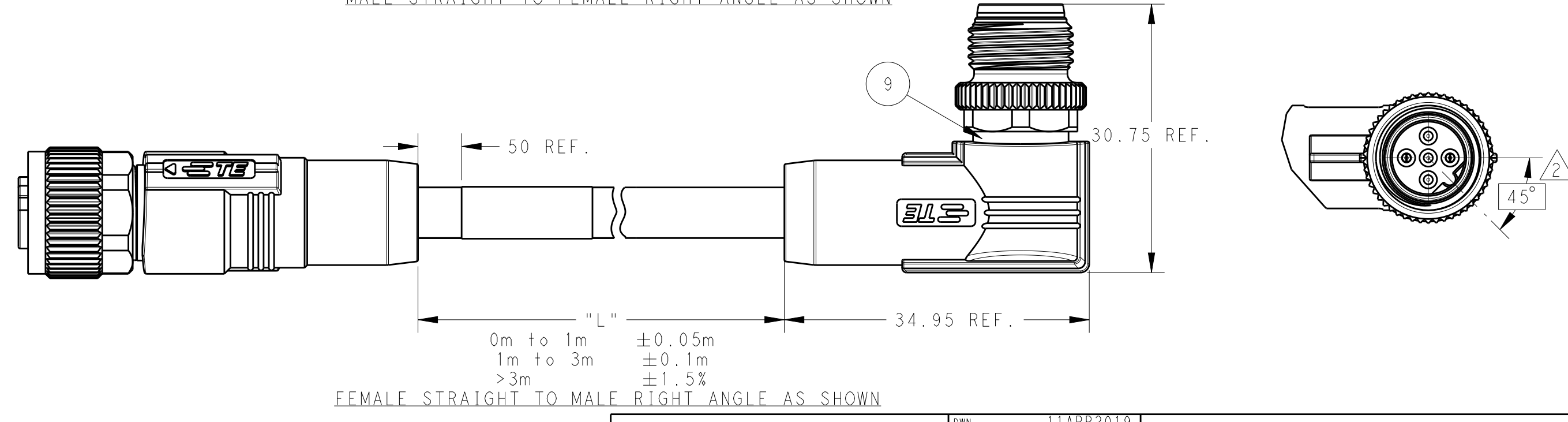
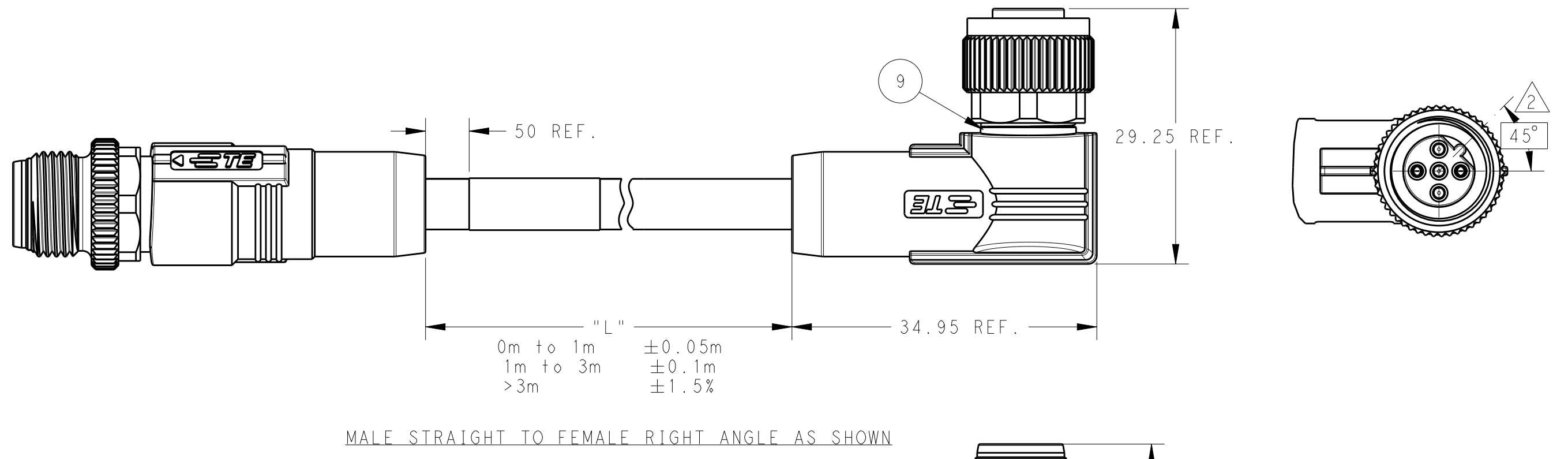
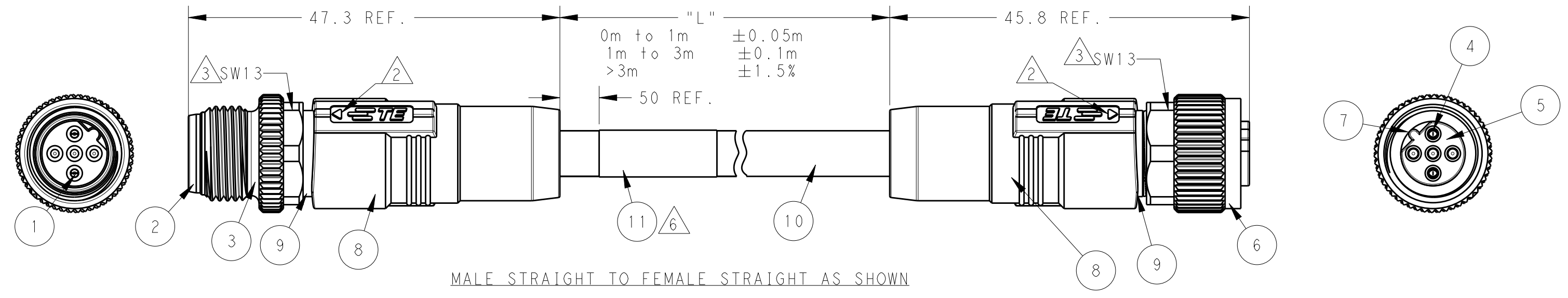


THIS DRAWING IS UNPUBLISHED. RELEASED FOR PUBLICATION 20
 © COPYRIGHT 20 BY - ALL RIGHTS RESERVED.

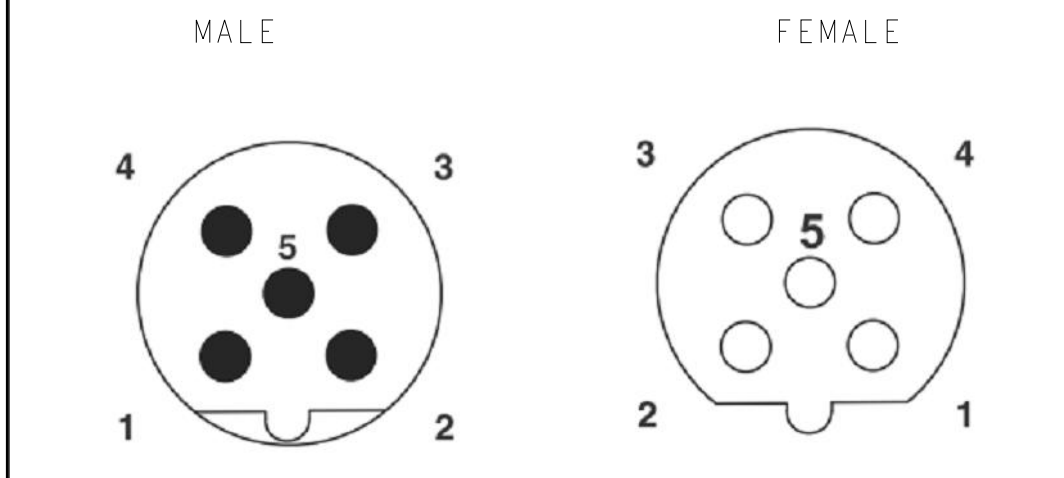
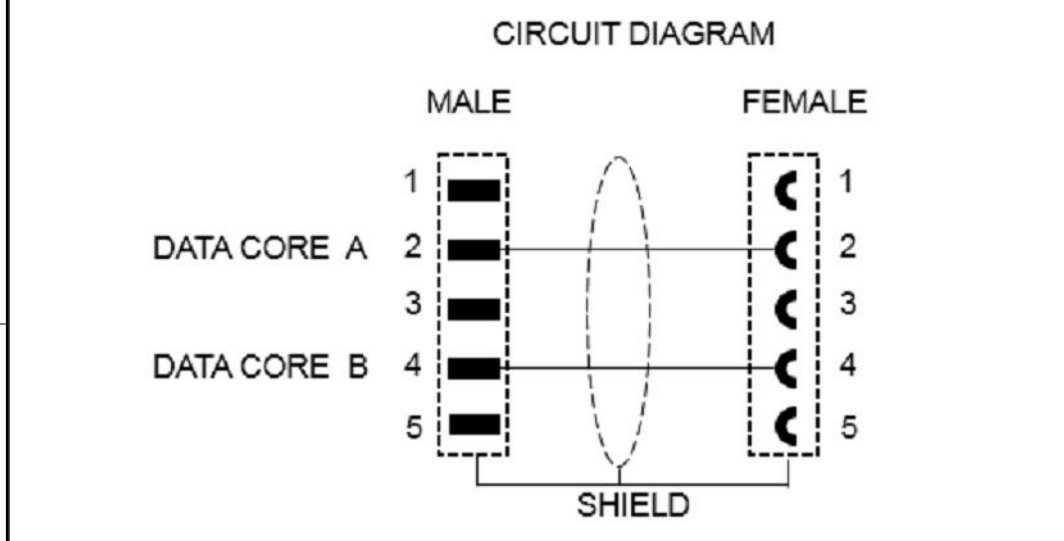
REVISIONS				
P	LTR	DESCRIPTION	DATE	APVD
A		INITIAL RELEASE	01AUG2019	A.Z C.W
A1		CLARIFY TYPICAL PNS	22JUN2020	A.Z C.W

ITEM	DESCRIPTION	MATERIAL	OTHERS
1	MALE CONTACT	COPPER ALLOY	GOLD PLATED
2	MALE HOUSING	NYLON	BLACK
3	MALE NUT	COPPER ALLOY	NICKEL PLATED
4	FEMALE CONTACT	COPPER ALLOY	GOLD PLATED
5	FEMALE HOUSING	NYLON	BLACK
6	FEMALE NUT	COPPER ALLOY	NICKEL PLATED
7	O-RING	SILICONE	GRAY
8	OVER-MOLDING	TPU	BLACK
9	SHIELDED SHELL	COPPER ALLOY	NICKEL PLATED
10	CABLE	PUR	VIOLET
11	LABEL	-	-



CIRCUIT DIAGRAM B-CODE

PIN 2 DATE CORE A GREEN
 PIN 4 DATE CORE B RED



THIS DRAWING IS A CONTROLLED DOCUMENT.

DIMENSIONS:	TOLERANCES UNLESS OTHERWISE SPECIFIED:	DWN	11APR2019
mm	0 PLC ±	CHK	11APR2019
	1 PLC ±	APVD	11APR2019
	2 PLC ±	PRODUCT SPEC	108-106140
	3 PLC ±	APPLICATION SPEC	114-137144
	4 PLC ±	WEIGHT	-
	ANGLES ±	RESTRICTED CUSTOMER	
	FINISH ±	SCALE	2:1

RESTRICTED TO: A1

NAME: M12 B CODE CABLE ASSY, SHIELDED 2P, MALE TO FEMALE

SIZE: A2 CAGE CODE: - DRAWING NO: G-TAB62XXX501XXX SHEET 1 OF 2

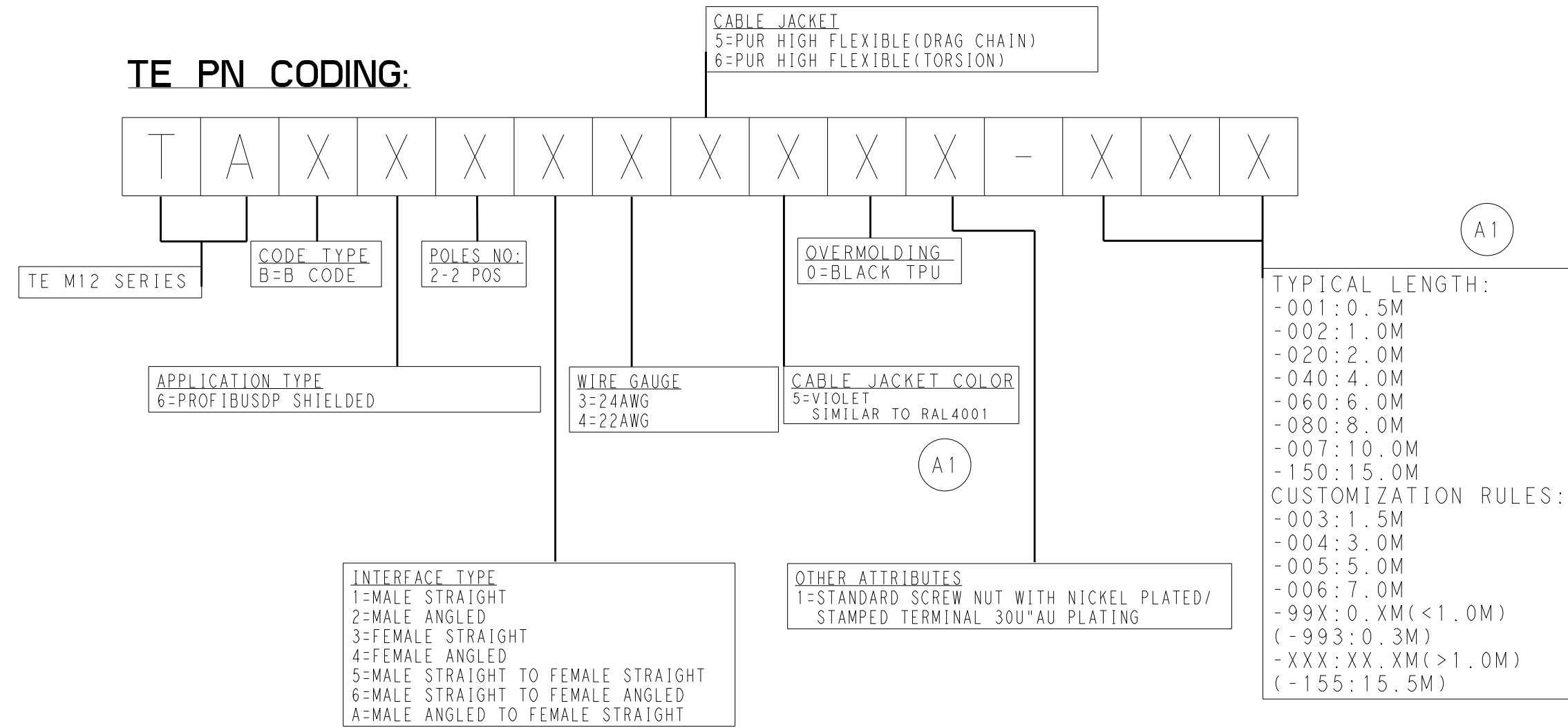
THIS DRAWING IS UNPUBLISHED. RELEASED FOR PUBLICATION 20
 © COPYRIGHT 20 BY - ALL RIGHTS RESERVED.

REVISIONS				
P	LTR	DESCRIPTION	DATE	APVD
-		SEE SHEET 1	-	-

- NOTE:
- 1. TECHNICAL DATA SEE TABLE 1
 - 2. CODE POSITION INDICATOR
 - 3. RECOMMENDED TORQUE 0.6 Nm
 - 4. -** : CABLE LENGTH, FOR EXAMPLE: -0.5M
 - 5. CABLE ASSEMBLY TO BE PACKAGED IN POLYBAGS
 - 6. LABEL CONTAINS: PN, DATE CODE...

- 注释:
- 1. 技术参数参考表 1
 - 2. CODE 位置指示
 - 3. 推荐扭矩 0.6 Nm
 - 4. -** : 线缆长度, 例如: -0.5M
 - 5. 线缆组件塑料袋包装
 - 6. 标签包含: 产品编号, 日期代码...

TE PN CODING:



WIRES	TYPICAL LENGTH:	JACKET COLOR	JACKET MATERIAL	TYPE	POS.	TABLE 2 TE PN
WIRES: 22AWG WIRE COLOR: RED AND GREEN OD: APPROX. 8.0MM TEMPERATURE RATING: 80°C UL OPERATION TEMP RATING: -25°C To +75°C APPLICATIONS: FLEXIBLE, SUITABLE FOR ±180° TORSION APPLICATION, 5 MILLION CYCLES FOR 1M LENGTH	-001: 0.5M -002: 1.0M -020: 2.0M -040: 4.0M -060: 6.0M -080: 8.0M -007: 10.0M -150: 15.0M CUSTOMIZATION RULES: -003: 1.5M -004: 3.0M -005: 5.0M -006: 7.0M -99X: 0.XM (<1.0M) (-993: 0.3M) -XXX: XX.XM (>1.0M) (-155: 15.5M)	VIOLET	PUR	M12B2-MR-FS-PUR TORSION-** - M12B2-MS-FR-PUR TORSION-** M12B2-MS-FS-PUR TORSION-** M12B2-MR-FS-PUR-** M12B2-MS-FR-PUR-** M12B2-MS-FS-PUR-**	2	TAB62A46501-XXX TAB62646501-XXX TAB62546501-XXX TAB62A35501-XXX TAB62635501-XXX TAB62535501-XXX
WIRES: 24AWG WIRE COLOR: RED AND GREEN OD: APPROX. 7.8MM TEMPERATURE RATING: 80°C UL OPERATION TEMP RATING: -40°C To +80°C APPLICATIONS: FLEXIBLE, SUITABLE FOR DRAG CHAIN, MIN. 1 MILLION CYCLES, DIAMETER 75MM, SPEED 2m/s, ACCELERATION 2m/s ²						
CABLE CHARACTERISTIC	LENGTH "L"	JACKET COLOR	JACKET MATERIAL	TYPE	POS.	TABLE 2 TE PN

TECHNICAL DATA	
RATED VOLTAGE	250V
RATED IMPULSE VOLTAGE	2500V
RATED CURRENT	4A
POLLUTION DEGREE	3
OVERVOLTAGE CATEGORY	II
MATERIAL GROUP	II
DEGREE OF PROTECTION	IP67

THIS DRAWING IS A CONTROLLED DOCUMENT.

DIMENSIONS: mm	TOLERANCES UNLESS OTHERWISE SPECIFIED:	DWN: ALE ZHANG 11APR2019	 TE Connectivity
	0 PLC ±	CHK: HART HE 11APR2019	
	1 PLC ±	APVD: CHRIS WANG 11APR2019	
	2 PLC ±	NAME: M12 B CODE CABLE ASSY, SHIELDED 2P, MALE TO FEMALE	
MATERIAL	FINISH	PRODUCT SPEC: 108-106140	RESTRICTED TO:
		APPLICATION SPEC: 114-137144	SIZE: A2
		WEIGHT: -	CAGE CODE: -
		RESTRICTED CUSTOMER	DRAWING NO: G-TAB62XXX501XXX
			SCALE: 1:1
			SHEET: 2 OF 2
			REV: A1