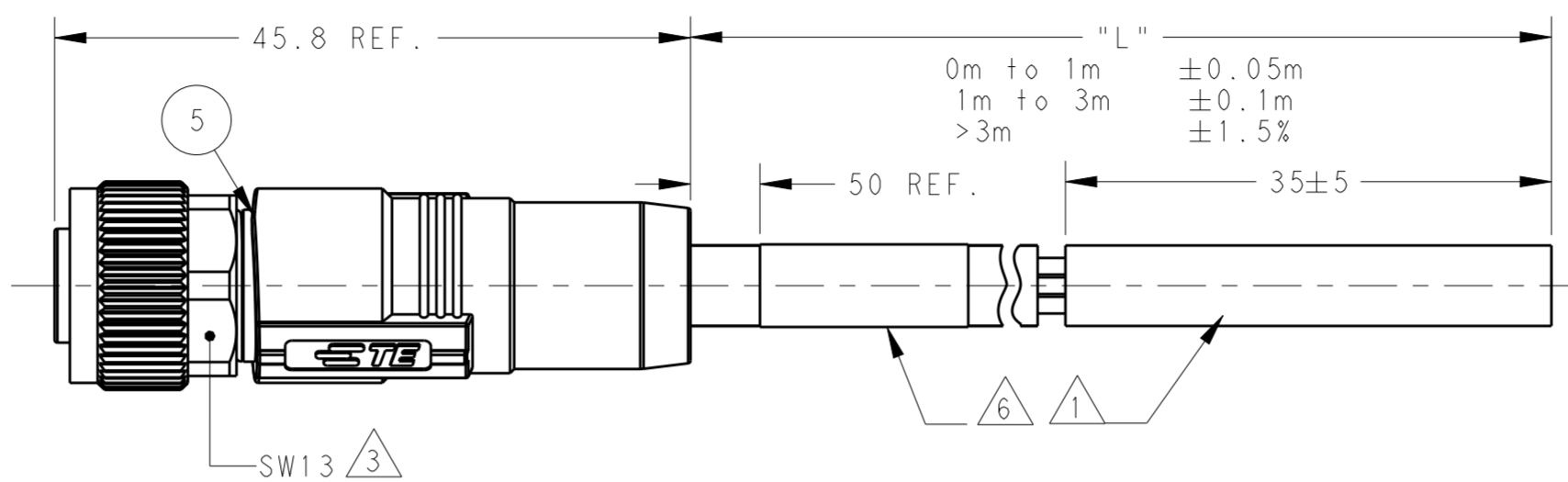
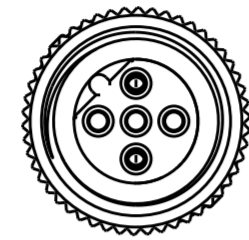


THIS DRAWING IS UNPUBLISHED. RELEASED FOR PUBLICATION 20
 © COPYRIGHT 20 BY - ALL RIGHTS RESERVED.

ITEM	DESCRIPTION	MATERIAL	OTHERS
1	FEMALE CONTACT	COPPER ALLOY	GOLD PLATED
2	HOUSING	NYLON	BLACK
3	COUPLING NUT	COPPER ALLOY	NICKEL PLATED
4	OVER-MOLDING	TPU	BLACK
5	SHIELDED SHELL	COPPER ALLOY	NICKEL PLATED
6	O-RING	SILICONE	GRAY
7	CABLE	PUR JACKET	VIOLET
8	LABEL	-	-

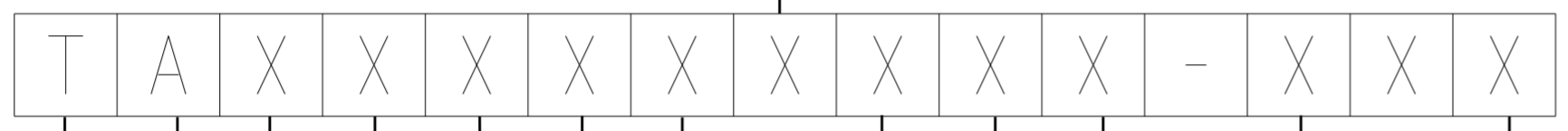


REVISIONS				
P	LTR	DESCRIPTION	DATE	APVD
A		INITIAL RELEASE	01AUG2019	A.Z C.W
A1		CLARIFY TYPICAL PNS	22JUN2020	A.Z C.W

NOTE:
 1. STRIP AND RETAIN THE INSULATION
 2. CODE POSITION INDICATOR
 3. RECOMMENDED TORQUE 0.6 Nm
 4. -** : CABLE LENGTH, FOR EXAMPLE: -0.5M
 5. CABLE ASSEMBLY TO BE PACKAGED IN POLYBAGS
 6. LABEL CONTAINS: PN, DATE CODE...

注释:
 1. 剥线并保留护套绝缘层
 2. CODE位置指示
 3. 推荐扭矩0.6 Nm
 4. -** : 线缆长度, 例如: -0.5M
 5. 线缆组件塑料袋包装
 6. 标签包含: 产品编号, 日期代码...

TE PN CODING:



TE M12 SERIES

CODE TYPE
B=B CODE

POLES NO.
2-2 POS

APPLICATION TYPE
6=PROFIBUSDP SHIELDED

WIRE GAUGE
3=24AWG
4=22AWG

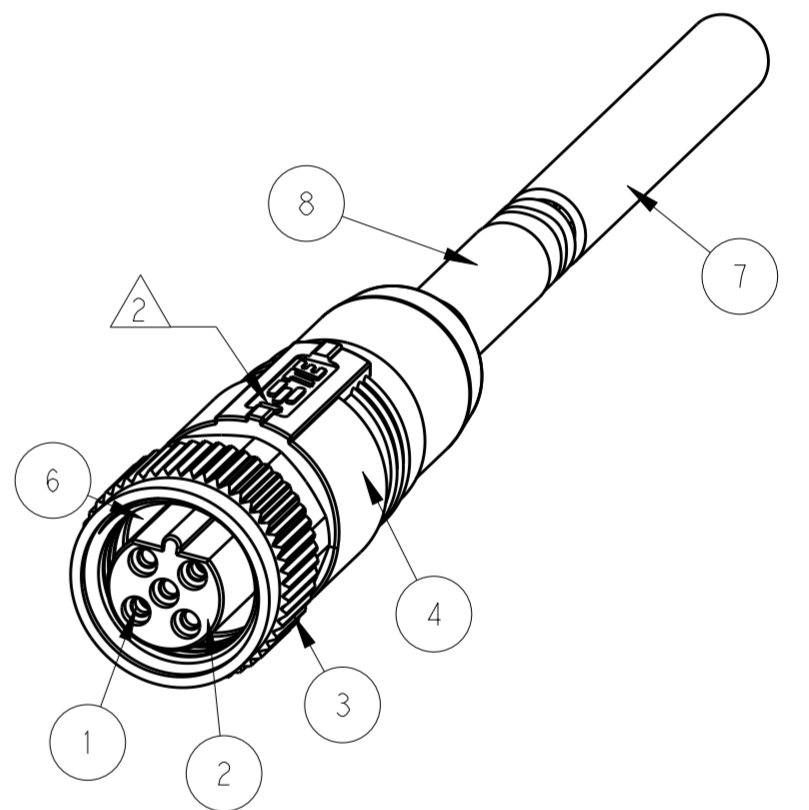
CABLE JACKET COLOR
5=VIOLET
SIMILAR TO RAL4001

OVERMOLDING
0=BLACK TPU

INTERFACE TYPE
1=MALE STRAIGHT
2=MALE ANGLED
3=FEMALE STRAIGHT
4=FEMALE ANGLED
5=MALE STRAIGHT TO FEMALE STRAIGHT
6=MALE STRAIGHT TO FEMALE ANGLED
A=MALE ANGLED TO FEMALE STRAIGHT

OTHER ATTRIBUTES
1=STANDARD SCREW NUT WITH NICKEL PLATED/
STAMPED TERMINAL 30U"AU PLATING

- TYPICAL LENGTH:
- 001: 0.5M
 - 002: 1.0M
 - 020: 2.0M
 - 040: 4.0M
 - 060: 6.0M
 - 080: 8.0M
 - 007: 10.0M
 - 150: 15.0M
- CUSTOMIZATION RULES:
- 003: 1.5M
 - 004: 3.0M
 - 005: 5.0M
 - 006: 7.0M
 - 99X: 0.XM (<1.0M)
 - (-993: 0.3M)
 - XXX: XX.XM (>1.0M)
 - (-155: 15.5M)

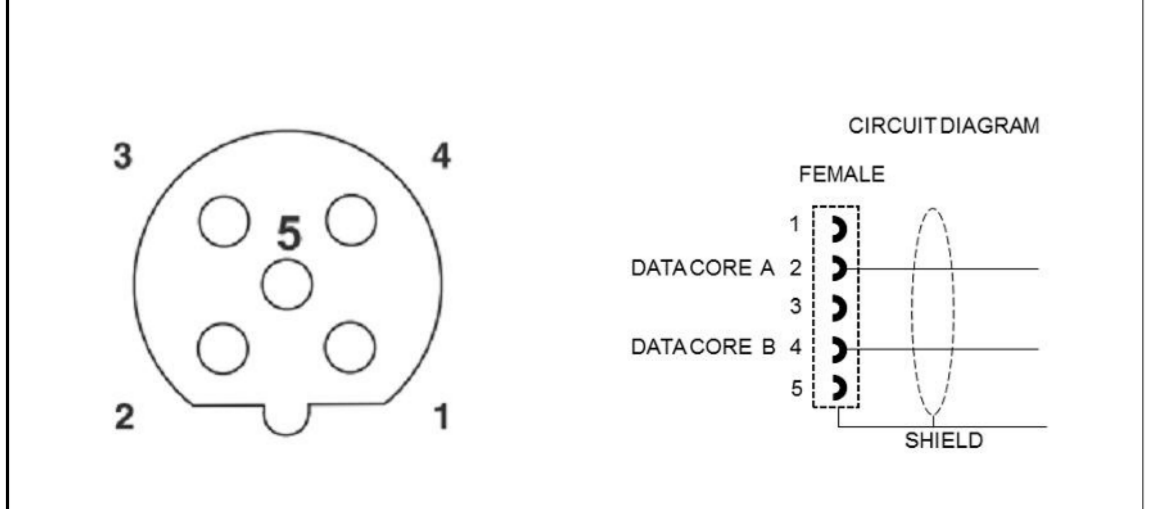


TECHNICAL DATA

RATED VOLTAGE	250V
RATED IMPULSE VOLTAGE	2500V
RATED CURRENT	4A
POLLUTION DEGREE	3
OVERVOLTAGE CATEGORY	II
MATERIAL GROUP	II
DEGREE OF PROTECTION	IP67

PIN ARRANGEMENT B-CODE

PIN 2 DATE CORE A	GREEN
PIN 4 DATE CORE B	RED



WIRES CHARACTERISTIC	LENGTH "L"	JACKET COLOR	JACKET MATERIAL	TYPE	POS.	TE PN
WIRES: 22AWG WIRE COLOR: RED AND GREEN OD: APPROX. 8.0MM TEMPERATURE RATING: 80°C UL OPERATION TEMP RATING: -25°C To +75°C APPLICATIONS: FLEXIBLE, SUITABLE FOR ±180° TORSION APPLICATION, 5 MILLION CYCLES FOR 1M LENGTH	TYPICAL LENGTH: -001: 0.5M -002: 1.0M -020: 2.0M -040: 4.0M -060: 6.0M -080: 8.0M -007: 10.0M -150: 15.0M CUSTOMIZATION RULES: -003: 1.5M -004: 3.0M -005: 5.0M -006: 7.0M -99X: 0.XM (<1.0M) (-993: 0.3M) -XXX: XX.XM (>1.0M) (-155: 15.5M)	VIOLET	PUR	M12B2-FS-PUR TORSION-** 4	2	TAB62346501-XXX
WIRES: 24AWG WIRE COLOR: RED AND GREEN OD: APPROX. 7.8MM TEMPERATURE RATING: 80°C UL OPERATION TEMP RATING: -40°C To +80°C APPLICATIONS: FLEXIBLE, SUITABLE FOR DRAG CHAIN, MIN. 1 MILLION CYCLES, DIAMETER 75MM, SPEED 2m/s, ACCELERATION 2m/s²	TYPICAL LENGTH: -001: 0.5M -002: 1.0M -020: 2.0M -040: 4.0M -060: 6.0M -080: 8.0M -007: 10.0M -150: 15.0M CUSTOMIZATION RULES: -003: 1.5M -004: 3.0M -005: 5.0M -006: 7.0M -99X: 0.XM (<1.0M) (-993: 0.3M) -XXX: XX.XM (>1.0M) (-155: 15.5M)	VIOLET	PUR	M12B2-FS-PUR-** 4	2	TAB62335501-XXX

THIS DRAWING IS A CONTROLLED DOCUMENT.

DIMENSIONS: mm	TOLERANCES UNLESS OTHERWISE SPECIFIED:	DWN: ALEX ZHANG 11APR2019	CHK: HART HE 11APR2019	APVD: CHRIS WANG 11APR2019
MATERIAL	FINISH	PRODUCT SPEC: 108-106140	APPLICATION SPEC: 114-137144	WEIGHT: -
CUSTOMER DRAWING		SCALE: 2:1	SHEET: 1 OF 1	REV: A1

STE TE Connectivity

M12 B CODE CABLE ASSY, SHIELDED 2P, FS FREE END