

THIS DRAWING IS UNPUBLISHED. RELEASED FOR PUBLICATION 20  
 © COPYRIGHT 20 BY - ALL RIGHTS RESERVED.

ITEM	DESCRIPTION	MATERIAL	OTHERS
1	MALE CONTACT	COPPER ALLOY	GOLD PLATED
2	MALE HOUSING	NYLON	BLACK
3	MALE NUT	COPPER ALLOY	NICKEL PLATED
4	FEMALE CONTACT	COPPER ALLOY	GOLD PLATED
5	FEMALE HOUSING	NYLON	BLACK
6	FEMALE NUT	COPPER ALLOY	NICKEL PLATED
7	O-RING	SILICONE	GRAY
8	OVER-MOLDING	PVC/TPU	BLACK
9	SHIELDED SHELL	COPPER ALLOY	NICKEL PLATED
10	CABLE	PVC/PUR JACKET	GRAY/VIOLET
11	LABEL	-	-

REVISIONS				
P	LTR	DESCRIPTION	DATE	APVD
A		INITIAL RELEASE	29JUL2019	A.Z C.W
A1		CLARIFY TYPICAL PNS	22JUN2020	A.Z C.W

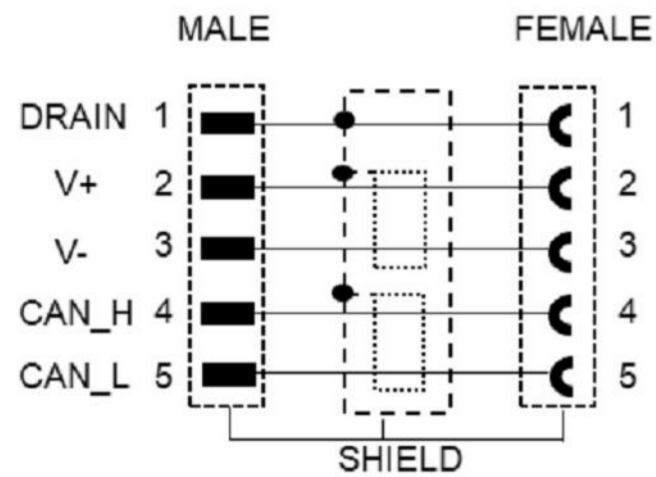
- NOTE:
- ①. TECHNICAL DATA SEE TABLE 1
  - ②. CODE POSITION INDICATOR
  - ③. RECOMMENDED TORQUE 0.6 Nm
  - ④. -\*\* : CABLE LENGTH, FOR EXAMPLE: -0.5M
  - 5. CABLE ASSEMBLY TO BE PACKAGED IN POLYBAGS
  - ⑥. LABEL CONTAINS: PN, DATE CODE...

- 注释:
- ①. 技术参数参考表 1
  - ②. CODE 位置指示
  - ③. 推荐扭矩 0.6 Nm
  - ④. -\*\* : 线缆长度, 例如: -0.5M
  - 5. 线缆组件塑料袋包装
  - ⑥. 标签包含: 产品编号, 日期代码...

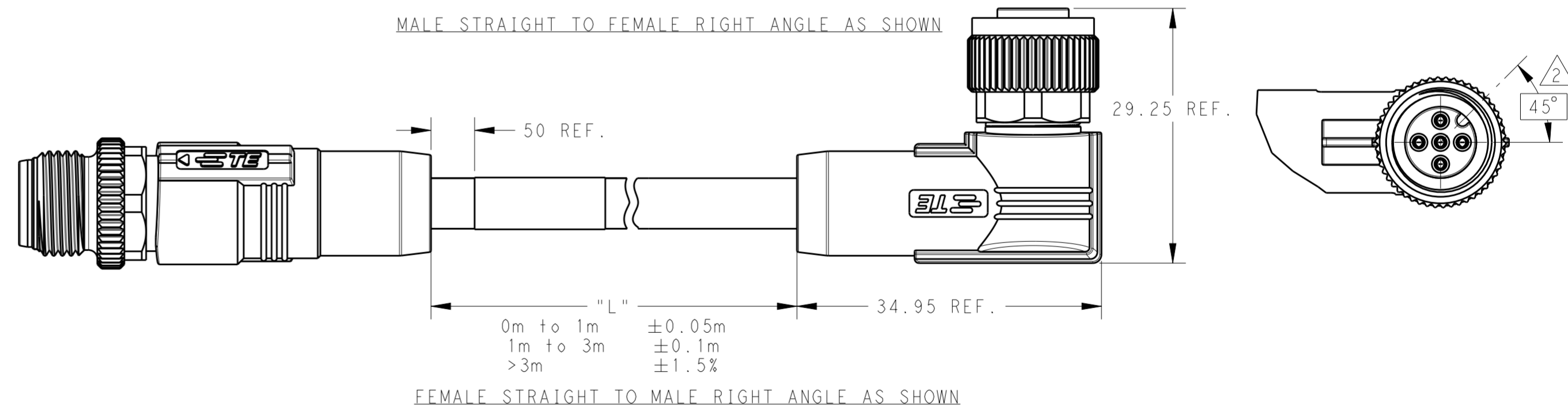
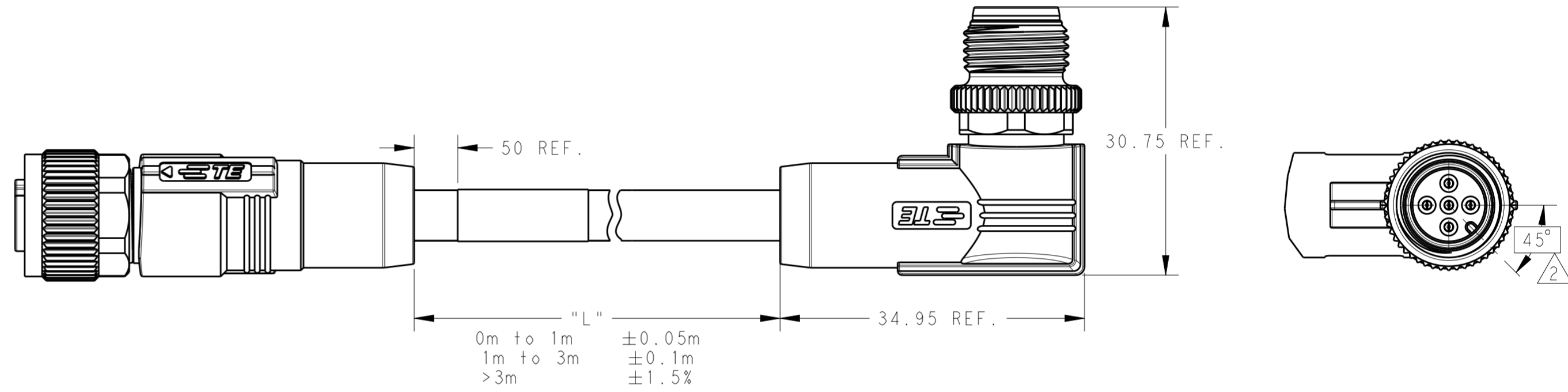
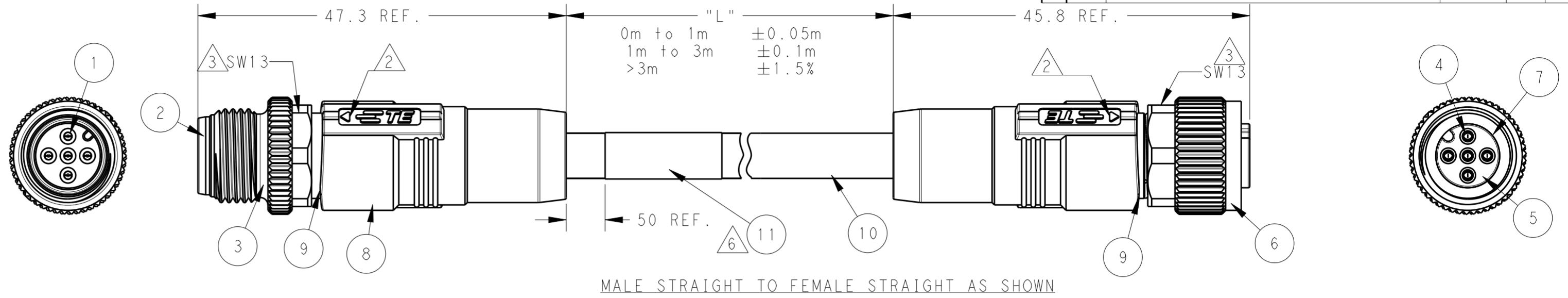
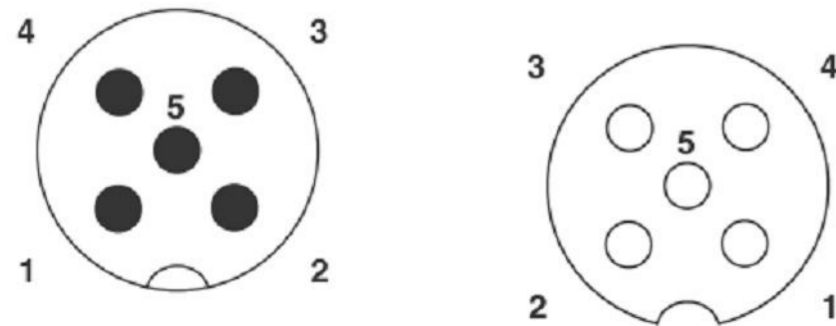
CIRCUIT DIAGRAM  
A-CODE

PIN 4 CAN\_H WHITE  
 PIN 5 CAN\_L BLUE  
 PIN 1 DRAIN BARE  
 PIN 3 V- BLACK  
 PIN 2 V+ RED

CIRCUIT DIAGRAM



MALE FEMALE

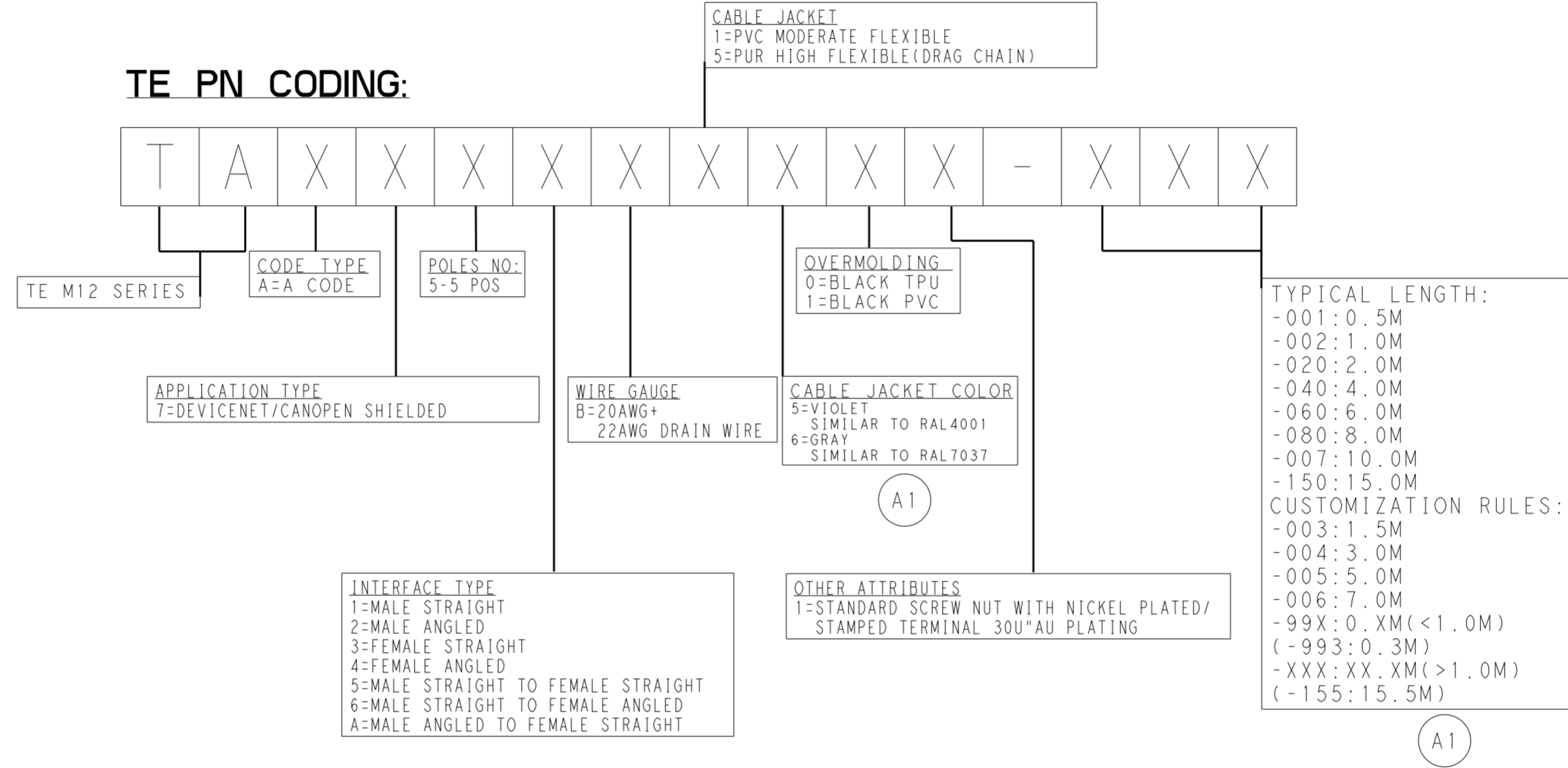


THIS DRAWING IS A CONTROLLED DOCUMENT.		DWN 11APR2019 ALEX ZHANG	TE Connectivity	
DIMENSIONS: mm		CHK 11APR2019 HART HE		
TOLERANCES UNLESS OTHERWISE SPECIFIED:		APVD 11APR2019 CHRIS WANG	NAME M12 A CODE CABLE ASSY, SHIELDED 5P, MALE TO FEMALE	
0 PLC ±		PRODUCT SPEC 108-106140	SIZE A2	
1 PLC ±		APPLICATION SPEC 114-137144	CAGE CODE -	
2 PLC ±		WEIGHT -	DRAWING NO. C-TAA75XXXXXXX	
3 PLC ±		CUSTOMER DRAWING	RESTRICTED TO	
4 PLC ±			SCALE 2:1 SHEET 1 OF 2 REV A1	
ANGLES ±				
FINISH -				

THIS DRAWING IS UNPUBLISHED. RELEASED FOR PUBLICATION 20  
 © COPYRIGHT 20 BY - ALL RIGHTS RESERVED.

REVISIONS				
P	LTR	DESCRIPTION	DATE	APVD
-		SEE SHEET 1	-	-

**TE PN CODING:**



TECHNICAL DATA	
RATED VOLTAGE	60V
RATED IMPULSE VOLTAGE	1500V
RATED CURRENT	4A
POLLUTION DEGREE	3
OVERVOLTAGE CATEGORY	II
MATERIAL GROUP	II
DEGREE OF PROTECTION	IP67

WIRES: 2X22AWG+2X24AWG +1X22 AWG DRAIN WIRE WIRE COLOR: WHITE/BLUE/RED/BLACK OD: APPROX. 6.9MM PUR JACKET, VIOLET OPERATION TEMPERATURE RATING: 80°C UL OPERATION TEMP RATING: -40°C To +80°C DRAG CHAIN TEST: MIN. 0.5 MILLION CYCLES, DIAMETER 75MM, SPEED 2m/s, ACCELERATION 2m/s <sup>2</sup>	TYPICAL LENGTH:	VIOLET	PUR	M12A5-MR-FS-PUR-** M12A5-MS-FR-PUR-** M12A5-MS-FS-PUR-**	5	TAA75AA5501-XXX
	CUSTOMIZATION RULES:					TAA756A5501-XXX
						TAA755A5501-XXX
		GRAY	PVC			TAA75AA1611-XXX
						TAA756A1611-XXX
						TAA755A1611-XXX
WIRES: 2X22AWG+2X24AWG +1X22 AWG DRAIN WIRE WIRE COLOR: WHITE/BLUE/RED/BLACK OD: APPROX. 7.1MM TEMPERATURE RATING: 75°C UL OPERATION TEMP RATING: -10°C To +80°C						
CABLE CHARACTERISTIC	LENGTH "L"	JACKET COLOR	JACKET MATERIAL	TYPE	POS.	TE PN

THIS DRAWING IS A CONTROLLED DOCUMENT.

DIMENSIONS:	TOLERANCES UNLESS OTHERWISE SPECIFIED:	DWN	11APR2019	 TE Connectivity			
mm		CHK	11APR2019				
	0 PLC ±	APVD	11APR2019				
	1 PLC ±	NAME	M12 A CODE CABLE ASSY, SHIELDED				
	2 PLC ±	PRODUCT SPEC	108-106140	SIZE	CAGE CODE	DRAWING NO	RESTRICTED TO
	3 PLC ±	APPLICATION SPEC	114-137144	A2	-	©-TAA75AXXXXXXX	
	4 PLC ±	WEIGHT	-	SCALE	1:1	SHEET	2 OF 2
MATERIAL	ANGLES ±	CUSTOMER DRAWING		REV	A1		
	FINISH ±						