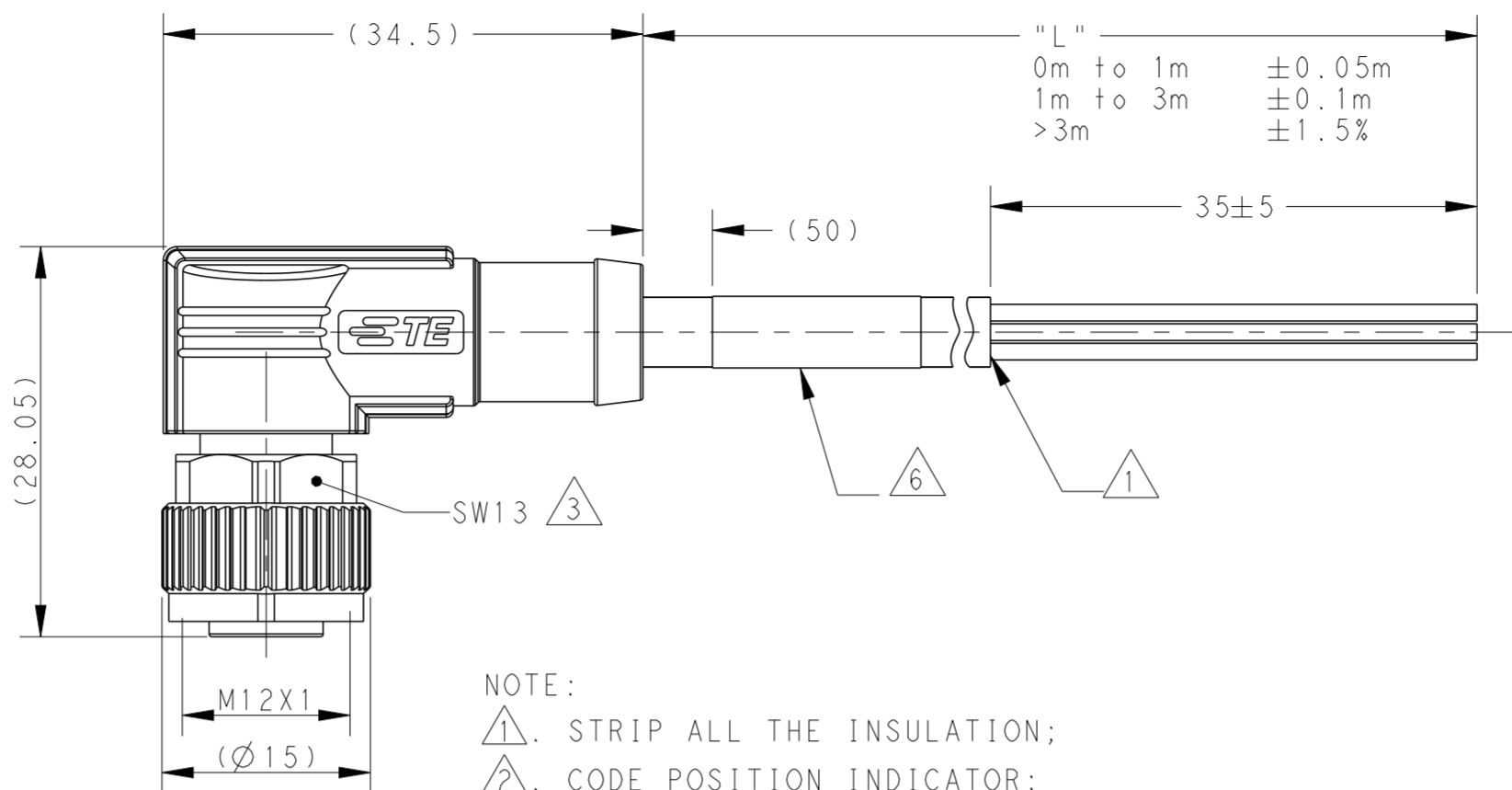
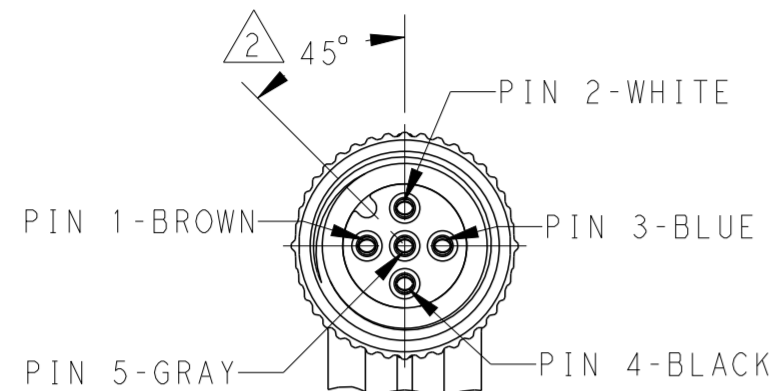


THIS DRAWING IS UNPUBLISHED. RELEASED FOR PUBLICATION 20  
 © COPYRIGHT 20 BY - ALL RIGHTS RESERVED.

ITEM	DESCRIPTION	MATERIAL	OTHERS
1	FEMALE CONTACT	BRONZE	GOLD PLATED
2	HOUSING	NYLON	BLACK
3	COUPLING NUT	ZAMACK	NICKEL PLATED
4	OVER-MOLDING	POLYURETHANE	BLUE
5	CABLE	-	-
6	LABEL	-	-



NOTE:

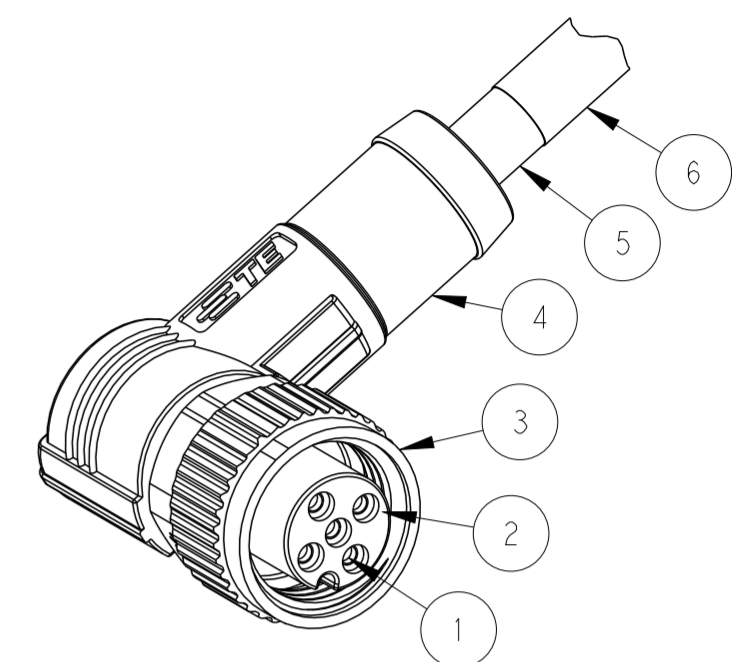
- △. STRIP ALL THE INSULATION;
- △. CODE POSITION INDICATOR;
- △. RECOMMENDED TORQUE 0.6 Nm;
- △. - \*\*: CABLE LENGTH  
 -0.5:0.5M,  
 -1.0:1.0M,  
 -1.5:1.5M,  
 -3.0:3.0M,  
 -5.0:5.0M,  
 -7.0:7.0M,  
 -10.0:10.0M;
- 5. CABLE ASSEMBLY TO BE PACKAGED IN POLYBAGS;
- △. LABEL CONTAINS: PN, DATE CODE...;
- △. -00X: FOR CABLE LENGTH, SEE TABLE E AND REFER TO LENGTH "L".

FOR CONFIGURED PARTS ONLINE, MATERIAL PART NUMBER START WITH C INSTEAD OF T, THESE CAN ONLY ORDER THROUGH CTO TOOL

REVISIONS					
P	LTR	DESCRIPTION	DATE	DWN	APVD
A1		ECR-16-010106	14JUL2016	HW	XX
A2		ECR-16-015173, ADD NEW PN	29OCT2016	BP	CW
B		ECR-18-019963	28DEC2018	G.W	C.W
B1		ECR-22-134410	01NOV2022	BP	CW

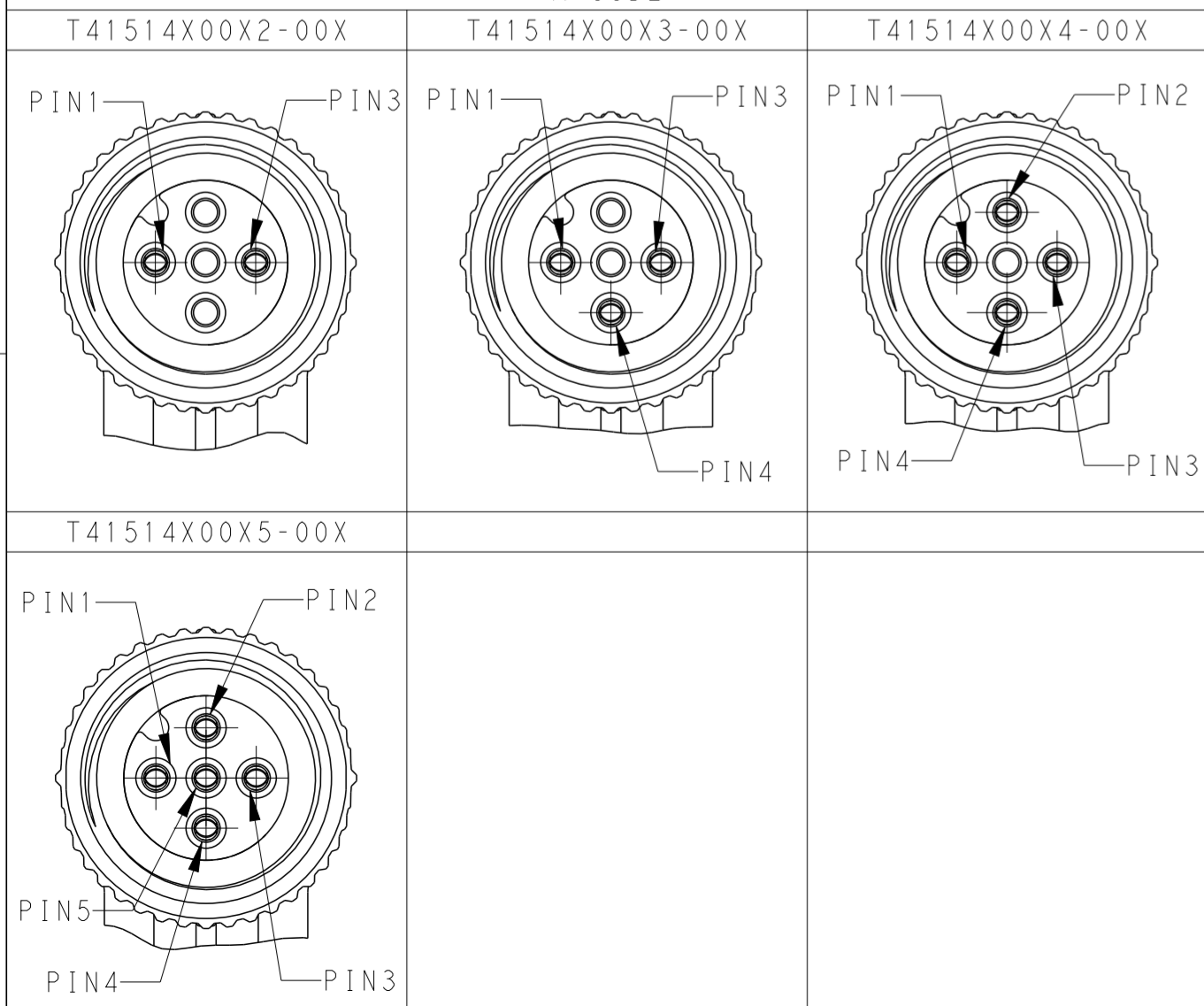
注释:

- △. 全剥护套绝缘层;
- △. CODE位置指示;
- △. 推荐扭矩0.6 Nm;
- △. - \*\*: 线缆长度  
 -0.5:0.5M,  
 -1.0:1.0M,  
 -1.5:1.5M,  
 -3.0:3.0M,  
 -5.0:5.0M,  
 -7.0:7.0M,  
 -10.0:10.0M;
- 5. 线缆组件塑料袋包装;
- △. 标签包含: 产品编号, 日期代码...;
- △. -00X: 线缆长度, 参考表2, 参照长度 "L".



TECHNICAL DATA	T41514X00X2-00X	T41514X00X3-00X	T41514X00X4-00X	T41514X00X5-00X
RATED VOLTAGE	250V		60V	
RATED IMPULSE VOLTAGE	2500V		1500V	
RATED CURRENT	4A			
POLLUTION DEGREE	3			
OVERVOLTAGE CATEGORY	II			
MATERIAL GROUP	II			
DEGREE OF PROTECTION	IP67			

PIN ARRANGEMENT A-CODE



WIRES: 0.50mm <sup>2</sup> (20AWG) WIRE COLOR: WH/BR/BK/BL/GR OD: APPROX. 5.4MM FOR 4P 5.9MM FOR 5P	STANDARD: -001:0.5 M -002:1.0 M -003:1.5 M -004:3.0 M -005:5.0 M -006:7.0 M -007:10.0 M	FIXED: -40°C~+80°C FLXIBLE: -25°C~+80°C	BLACK	PUR (UL)	RPC-M12-FR-5CON-PUR-BK0.5-**△	5	T4151480015-00X△
WIRES: 0.50mm <sup>2</sup> (20AWG) WIRE COLOR: WH/BR/BK/BL/GR OD: APPROX. 5.0MM FOR 4P/5P	CUSTOMIZATION: -XX0:XX.0 M -XX5:XX.5 M -99X:0.X M	FIXED: -10°C~+80°C FLXIBLE: -5°C~+80°C	BLACK	PVC (UL)	RPC-M12-FR-4CON-PUR-BK0.5-**△	4	T4151480014-00X△
					RPC-M12-FR-5CON-PVC-**S0.5△	5	T4151450005-00X△
WIRES: 0.34mm <sup>2</sup> (22AWG) WIRE COLOR: WH/BR/BK/BL/GR OD: APPROX. 4.5MM FOR 2P/3P APPROX. 5.5MM FOR 4P/5P		FIXED: -40°C~+80°C FLXIBLE: -25°C~+80°C	GRAY	PUR (UL)	RPC-M12-FR-4CON-PVC-**S0.5△	4	T4151450004-00X△
					RPC-M12-FR-5CON-PUR-**△	5	T4151420005-00X△
					RPC-M12-FR-4CON-PUR-**△	4	T4151420004-00X△
					RPC-M12-FR-3CON-PUR-**△	3	T4151420003-00X△
					RPC-M12-FR-2CON-PUR-**△	2	T4151420002-00X△
					RPC-M12-FR-5CON-PVC-**△	5	T4151410005-00X△
					RPC-M12-FR-4CON-PVC-**△	4	T4151410004-00X△
					RPC-M12-FR-3CON-PVC-**△	3	T4151410003-00X△
					RPC-M12-FR-2CON-PVC-**△	2	T4151410002-00X△
					CABLE CHARACTERISTIC	LENGTH "L"	CABLE TEMP. RANGE

对于在线定制的料号, 相关料号用C替代T, 这些料号通过CTO工具产生

THIS DRAWING IS A CONTROLLED DOCUMENT.		DWN HAO WANG 11AUG2015	TE Connectivity	
DIMENSIONS: mm		CHK KOBBY ZHAO 11AUG2015		
TOLERANCES UNLESS OTHERWISE SPECIFIED:		APVD XIANG XU 11AUG2015	NAME M12X1 RA RECEPTACLE, FREE END A-CODE, UNSHIELDED,	
0 PLC ±		PRODUCT SPEC 108-106140	SIZE A2	
1 PLC ±		APPLICATION SPEC -	CAGE CODE -	
2 PLC ±		WEIGHT -	DRAWING NO C-T41514X00XX00X	
3 PLC ±		CUSTOMER DRAWING	RESTRICTED TO	
4 PLC ±		SCALE 2:1	SHEET 1 OF 1	
ANGLES ±			REV B1	
FINISH -				