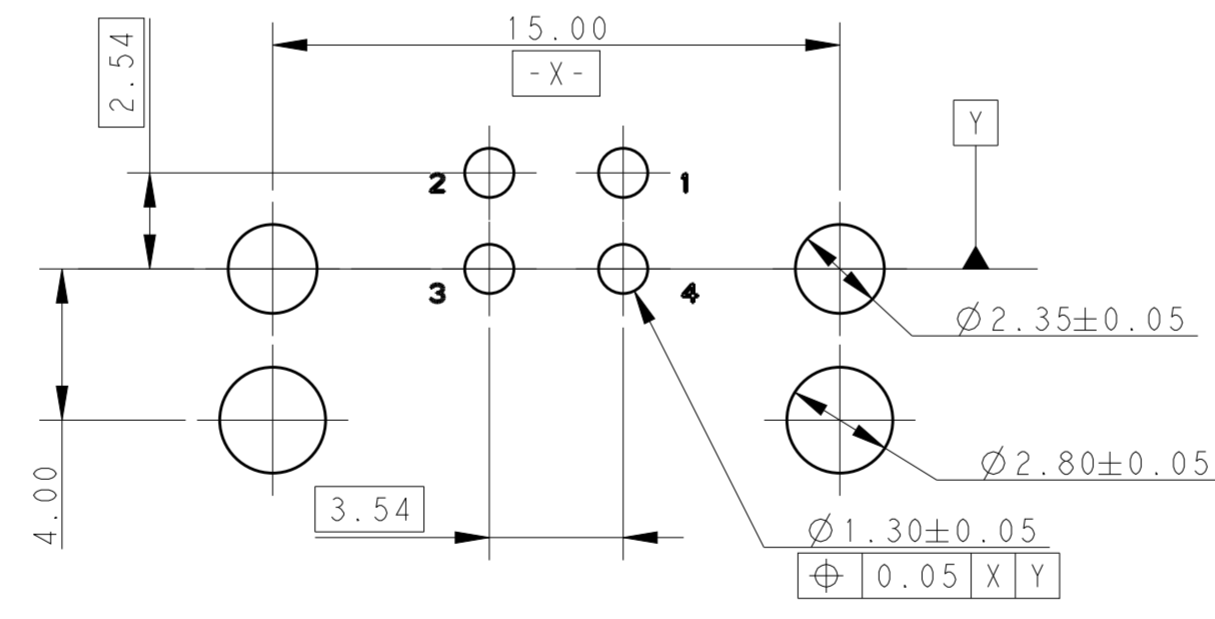
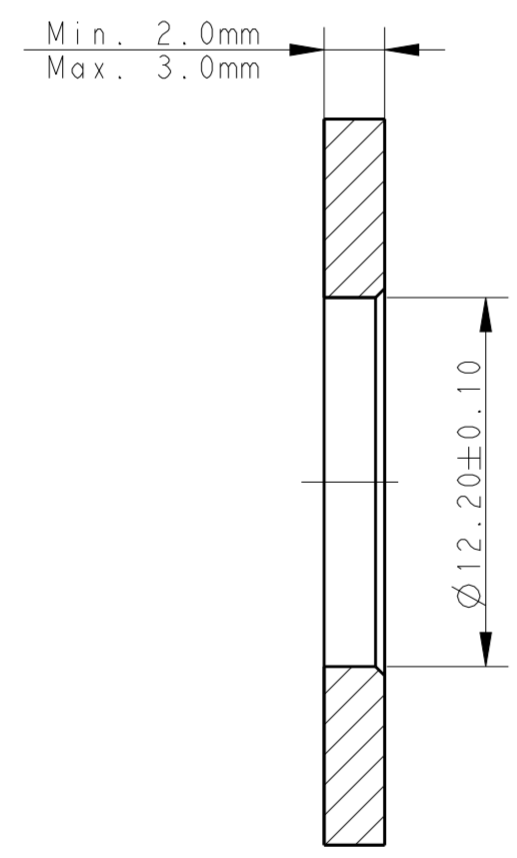
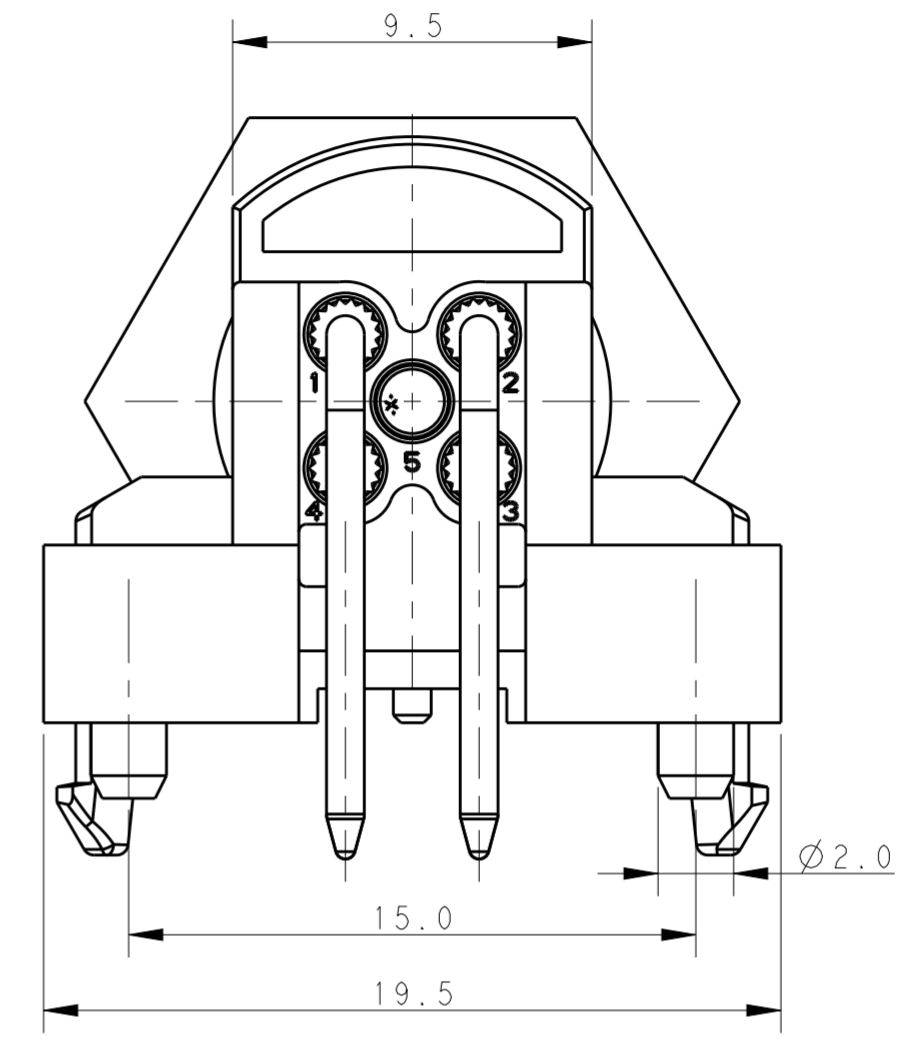
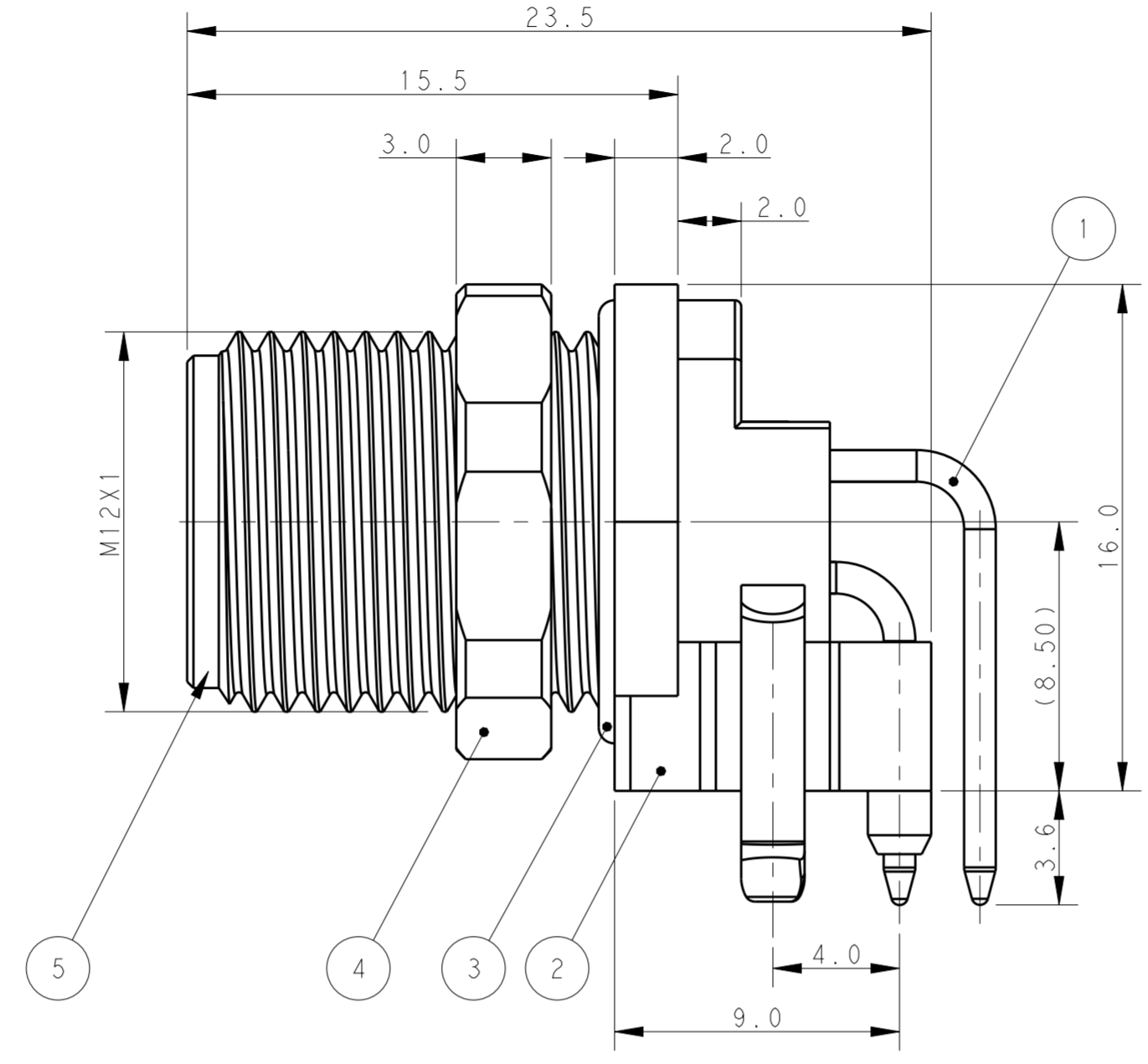
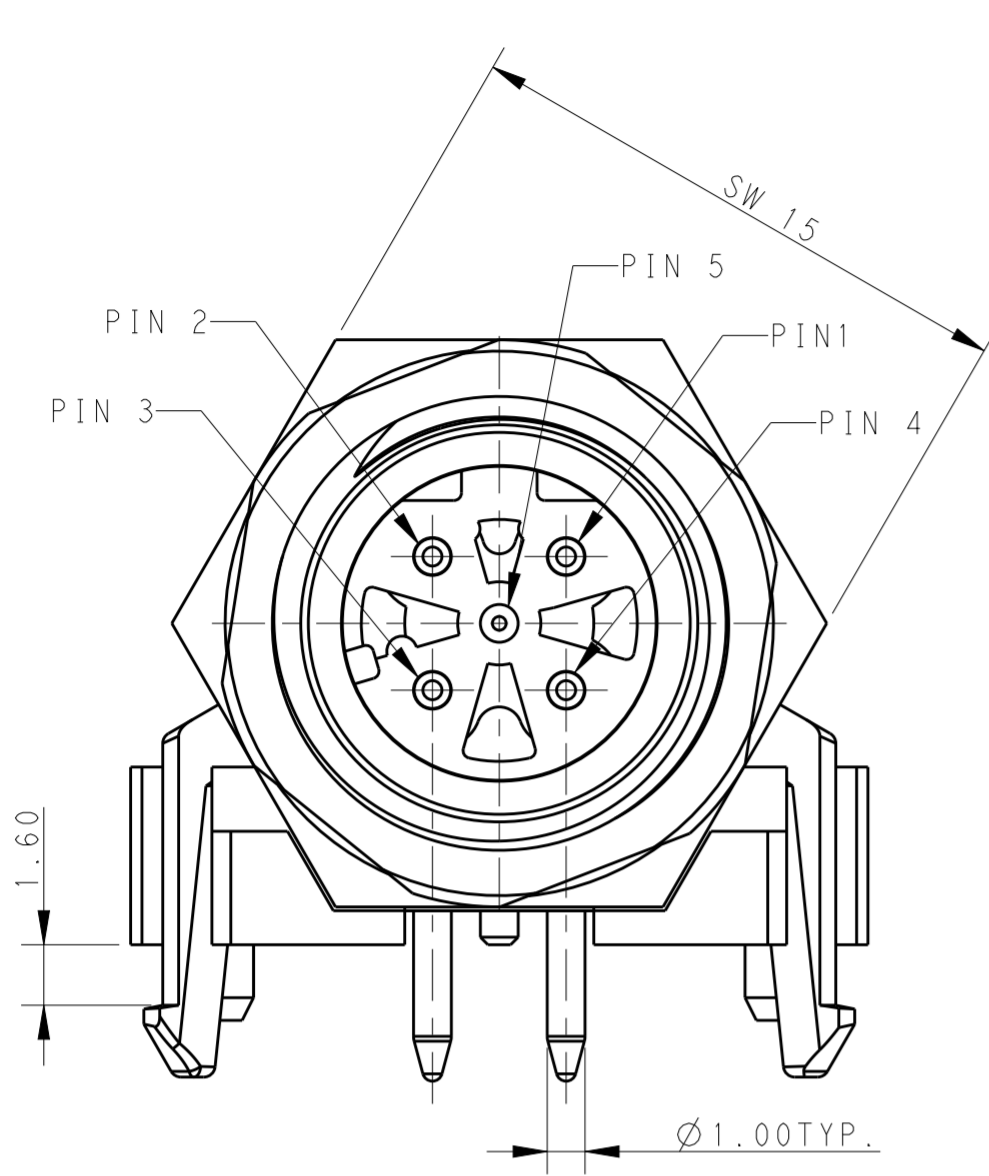
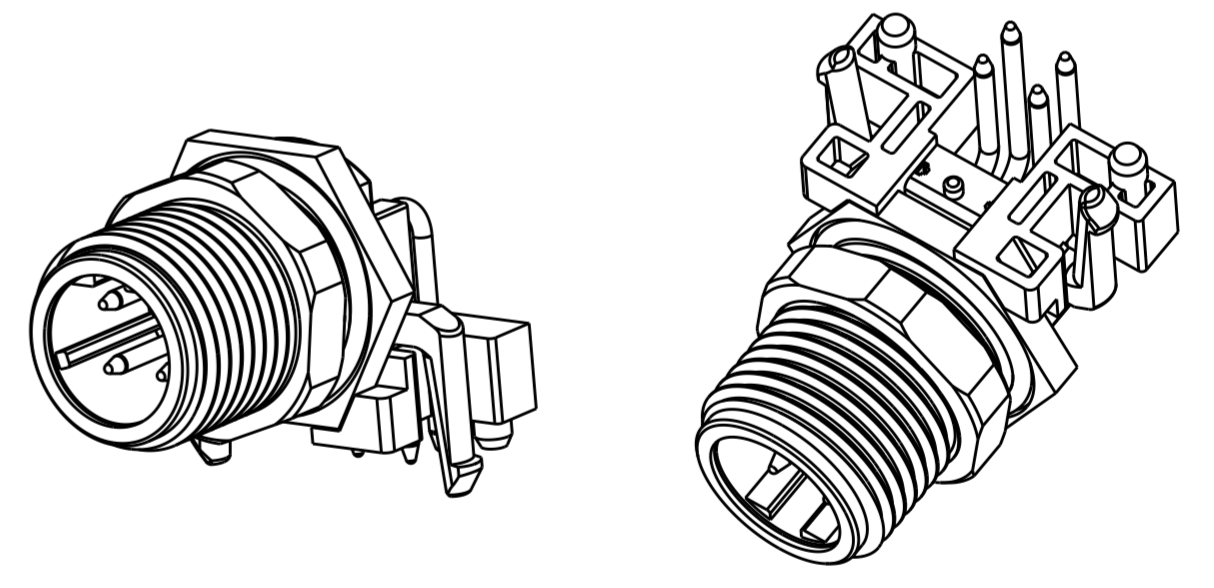


THIS DRAWING IS UNPUBLISHED. RELEASED FOR PUBLICATION 20
 © COPYRIGHT 20 BY - ALL RIGHTS RESERVED.

REVISIONS					
P	LTR	DESCRIPTION	DATE	DWN	APVD
A		INITIAL RELEASE	05JUL2016	N.P	X.X
A1		ECR-19-006232	18APR2019	B.P	C.W



RECOMMEND PCB LAYOUT
 PCB THICKNESS: 1.6mm



RECOMMENDED PANEL SIZE

NOTES:

1. TECHNICAL DATA: SEE TABLE 1
2. RECOMMENDED PANEL CUTOUT AND PCB LAYOUT SEE DETAIL .
3. ALL DIMENSIONS ARE FOR NOMINAL REFERENCE ONLY UNLESS OTHERWISE STATED

- 注意事项
1. 技术参数：见表1；
 2. 推荐面板及PCB开孔尺寸如图所示；
 3. 所有尺寸仅供参考，除另外说明。

TABLE 1	
TECHNICAL DATA	T4144515041-000
RATED VOLTAGE	250V
RATED CURRENT	4A
POLLUTION DEGREE	3
OVERVOLTAGE CATEGORY	II
MATERIAL GROUP	II
DEGREE OF PROTECTION	IP67
OPERATION TEMPERATURE	-40~85°C

COMMENTS	MATERIAL	DESCRIPITON	ITEM
-	COPPER ALLOY	NUT	5
-	COPPER ALLOY	COUPLING NUT	4
	RUBBER	O-RING	3
BALCK COLOR	PA66	HOUSING	2
GOLD FLASH	COPPER ALLOY	CONTACT	1

TYPE	POS.	PART NUMBER
RPC-M12D-MR-4CON-M12-LPU	4	T4144515041-000

DIMENSIONS:		TOLERANCES UNLESS OTHERWISE SPECIFIED:	
mm		0 PLC	±
		1 PLC	±0.25
		2 PLC	±0.15
		3 PLC	±
		4 PLC	±
		ANGLES	±
		FINISH	-

STE TE Connectivity			
NAME			
M12 RIGHT ANGLE PCB ASSEMBLY MALE, UNSHIELDED, D-CODE			
SIZE	CAGE CODE	DRAWING NO	RESTRICTED TO
A2	-	©-T41445150X1000	-
CUSTOMER DRAWING		SCALE	SHEET
		2:1	1 OF 1
		REV	
		A1	