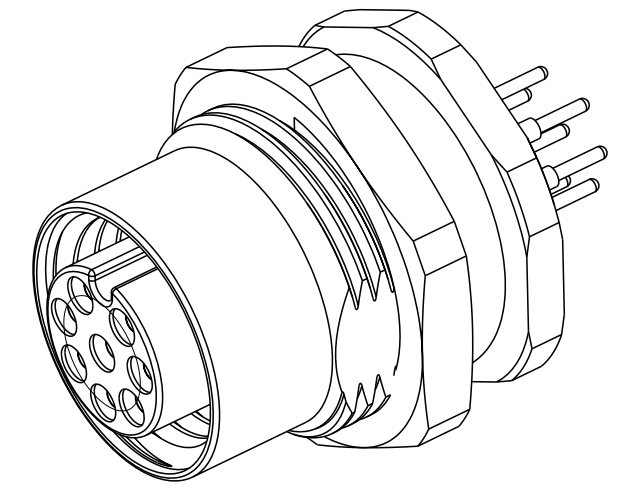
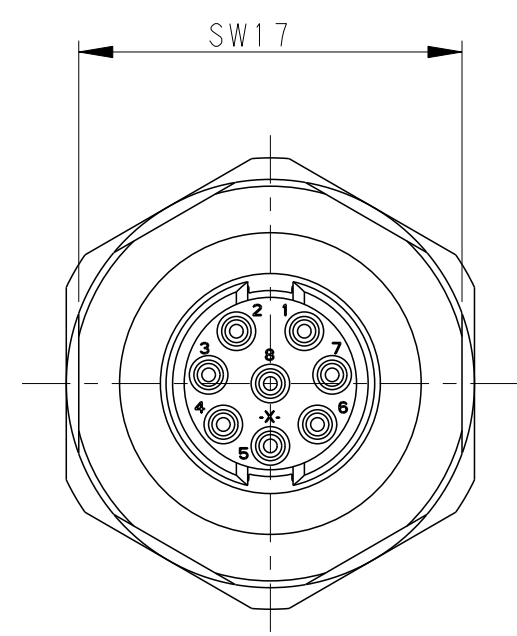
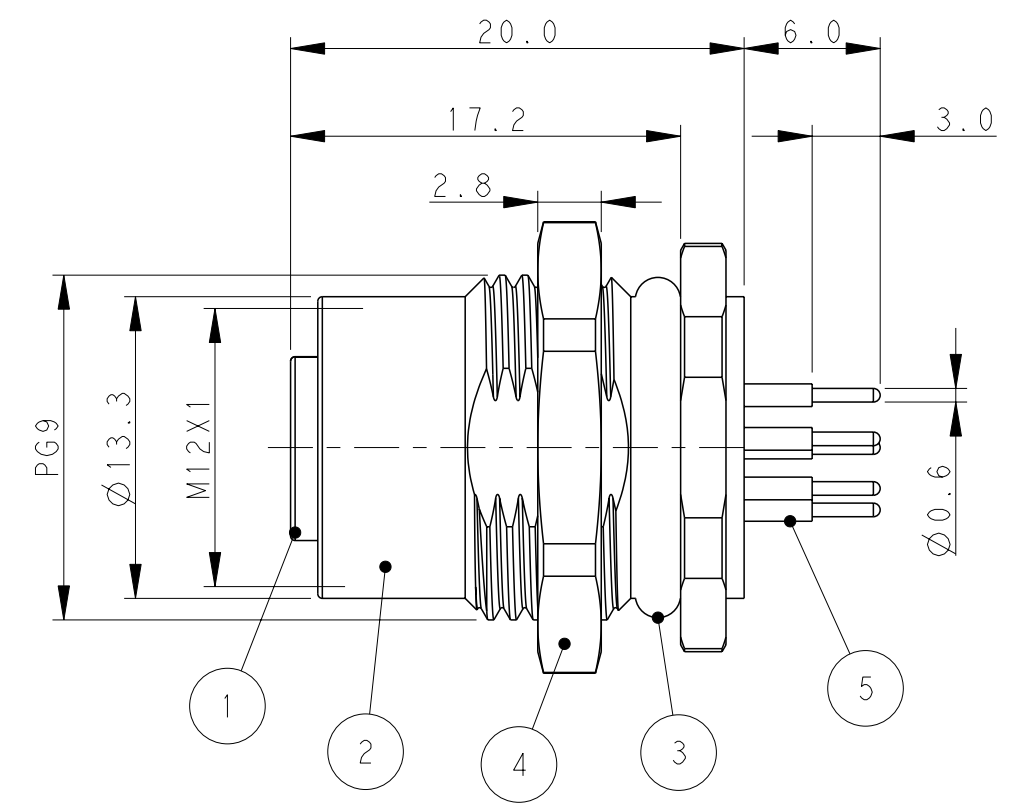
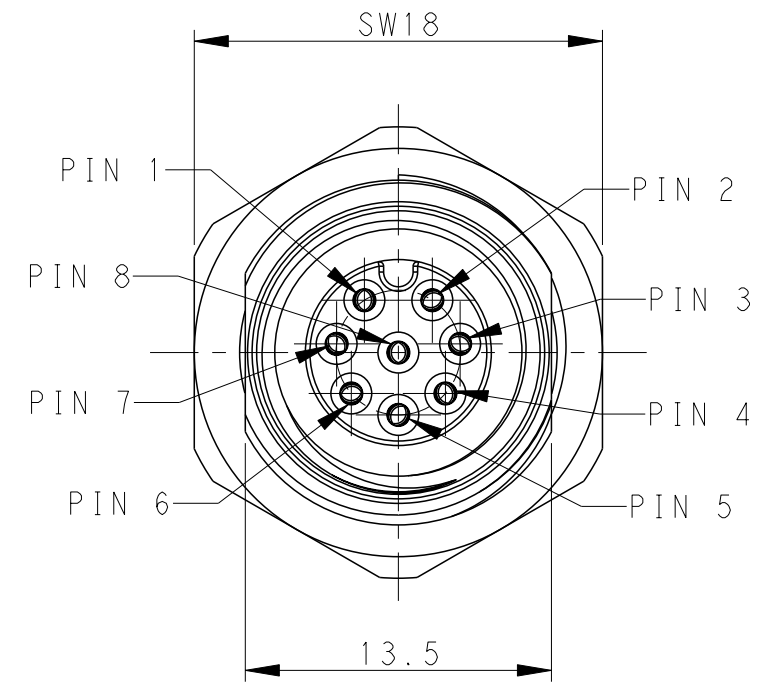


THIS DRAWING IS UNPUBLISHED. RELEASED FOR PUBLICATION 20
 © COPYRIGHT 20 BY - ALL RIGHTS RESERVED.

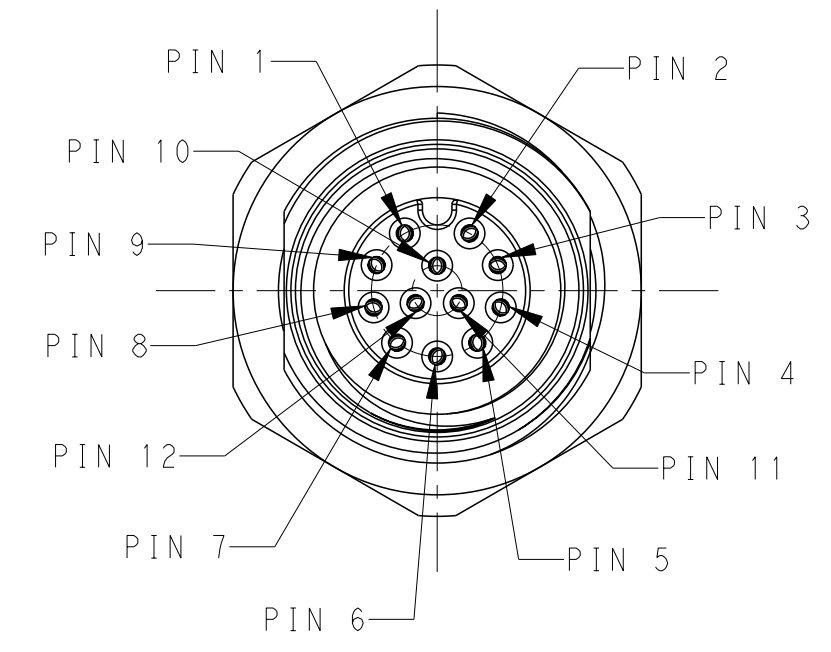
REVISIONS					
P	LTR	DESCRIPTION	DATE	DWN	APVD
A		INITIAL RELEASE	06JAN2018	G.W	C.W
A1		ECR-18-003481	08MAR2018	G.W	C.W
B		ECR-19-009136	12JUL2019	C.D	C.W



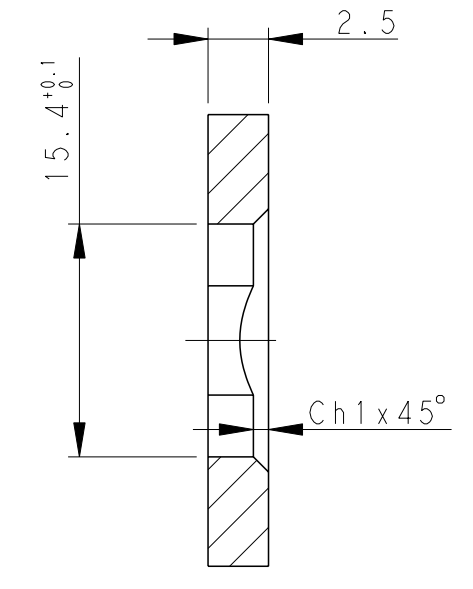
- NOTE:
1. TECHNICAL DATA: SEE TABLE 1
 2. RECOMMENDED PANEL CUTOUT AND PCB LAYOUT SEE DETAIL
 3. PACKAGING: 1 PIECE IN A BAG
 4. ALL DIMENSIONS ARE FOR NOMINAL REFERENCE ONLY UNLESS OTHERWISE STATED

- 注释:
1. 技术参数, 见表 1
 2. 推荐面板及PCB开孔尺寸详见如图所示
 3. 包装: 1PCS/袋
 4. 所有尺寸仅供参考, 除非另有说明

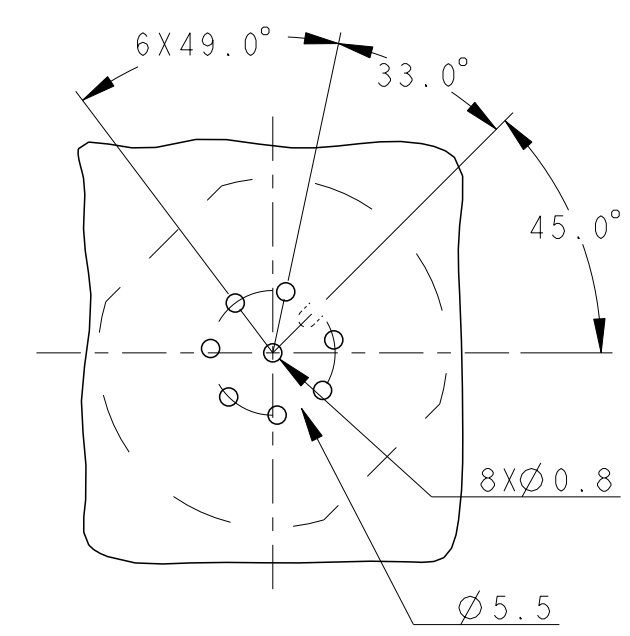
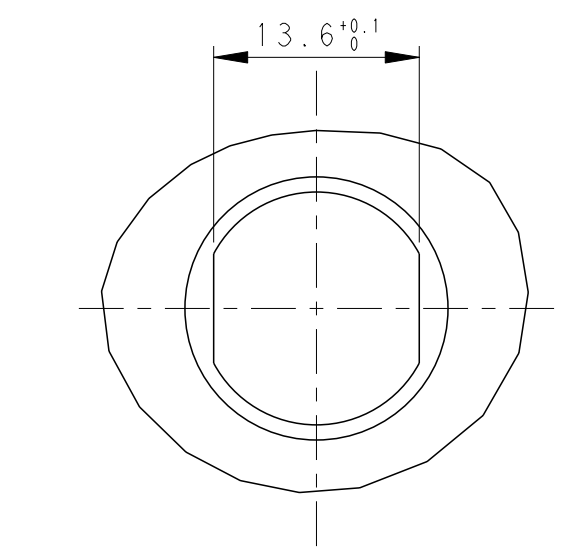
M12, FEMALE, 8POLES



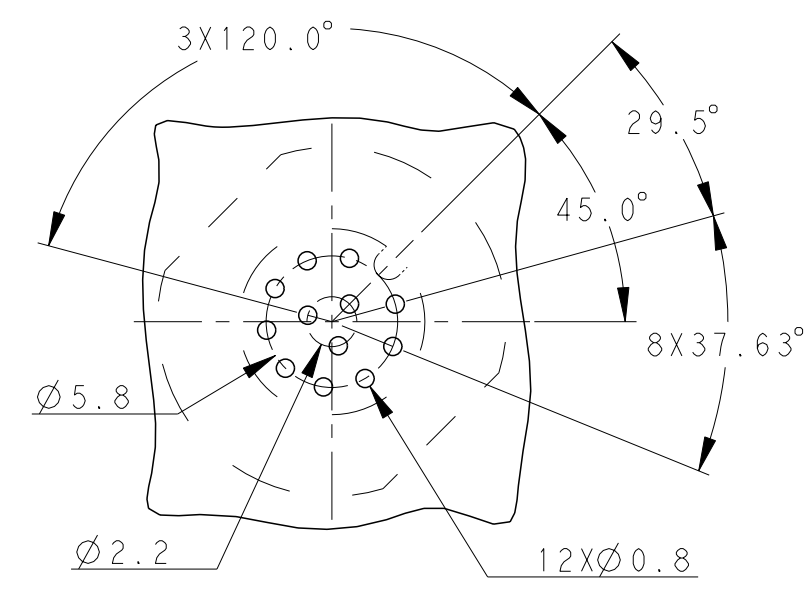
M12, FEMALE, 12POLES



RECOMMENDED PANEL CUTOUT



FOR 8POS.



FOR 12POS.

RECOMMENDED PCB LAYOUT

TABLE 1

TECHNICAL DATA	T4141012081-000	T4141012121-000
RATED VOLTAGE	30V	30V
RATED CURRENT	2A	1.5A
POLLUTION DEGREE	3	3
OVERVOLTAGE CATEGORY	II	II
MATERIAL GROUP	II	II
DEGREE OF PROTECTION	IP67	IP67
OPERATION TEMPERATURE	-40~85°C	-40~85°C

PART NUMBER	TYPE	POS.
T4141012121-000	RPC-M12-FF-12CON-PG9-LBU	12
T4141012081-000	RPC-M12-FF-8CON-PG9-LBU	8

MATERIAL	CONTACT	DESCRIPTION	ITEM
GOLD PLATED	COPPER ALLOY	M12, FEMALE, METAL BODY	2
NICKEL PLATED	COPPER ALLOY	M12, FEMALE HSG	1
BLACK	RUBBER	METAL NUT	4
NICKEL PLATED	COPPER ALLOY	O-RING	3
-	PA66	CONTACT	5
OTHERS	MATERIAL		

THIS DRAWING IS A CONTROLLED DOCUMENT.

DWN: Gavin Wang 06JAN2018
 CHK: Kevin Huang 06JAN2018
 APVD: Chris Wang 06JAN2018

PRODUCT SPEC: 108-106140
 APPLICATION SPEC: 114-137144

NAME: M12 PANEL MOUNT CONNECTOR A CODE, FEMALE, REAR MOUNT PCB SOLDERING

SCALE: 3:1 SHEET 1 OF 1 REV B

RESTRICTED TO: -