

THIS DRAWING IS UNPUBLISHED. RELEASED FOR PUBLICATION 20
 © COPYRIGHT 20 BY - ALL RIGHTS RESERVED.

REVISIONS					
P	LTR	DESCRIPTION	DATE	DWN	APVD
A		INITIAL RELEASE	23JUL2018	G.W	C.W
B		ECR-19-018748	28DEC2019	G.W	C.W

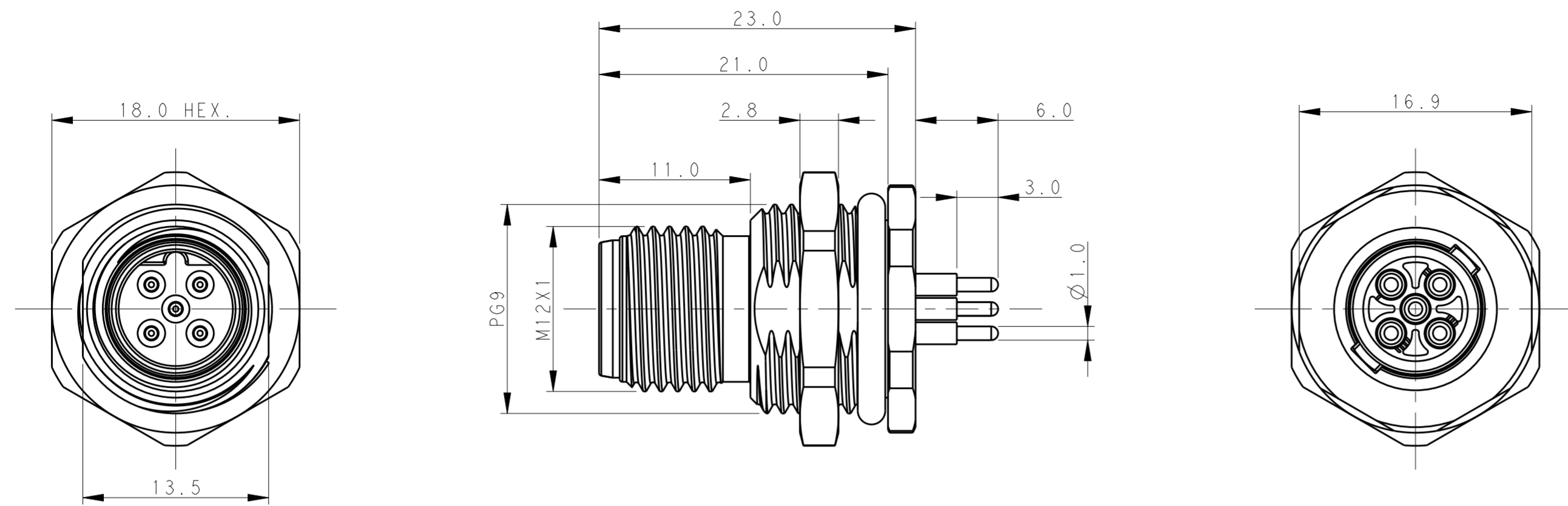
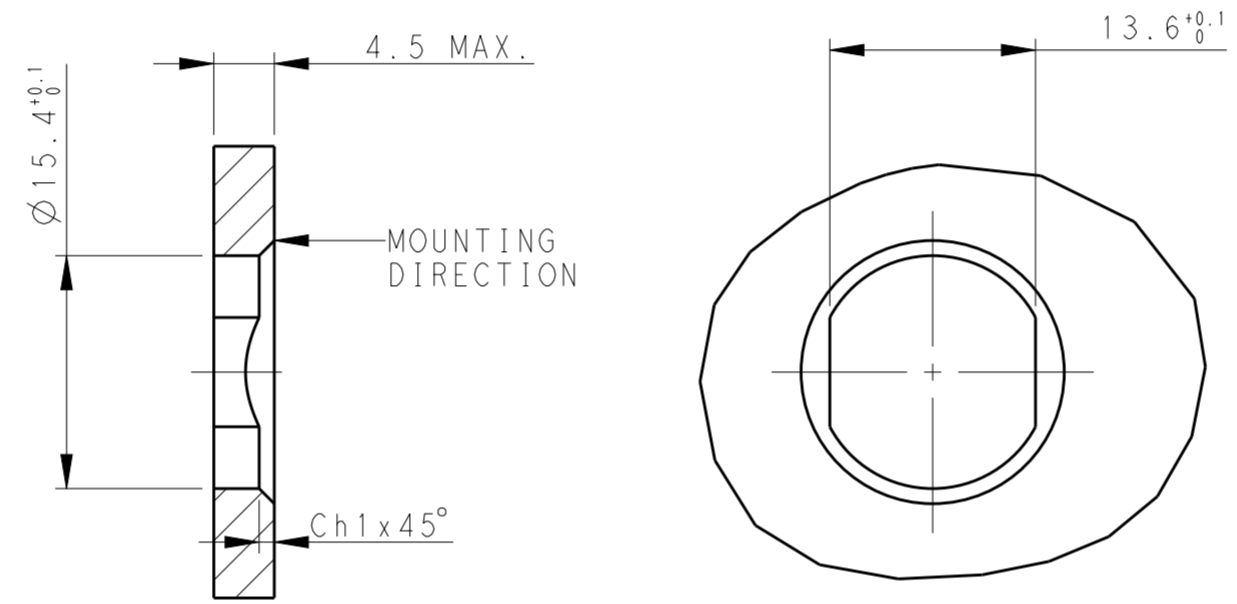


TABLE 1

TECHNICAL DATA	T4140412021-001	T4140412031-001	T4140412041-001	T4140412051-001
RATED VOLTAGE	250V	250V	250V	60V
RATED CURRENT	4A	4A	4A	4A
POLLUTION DEGREE	3	3	3	3
OVERVOLTAGE CATEGORY	II	II	II	II
MATERIAL GROUP	II	II	II	II
CONTACT RESISTANCE	<=10mΩ	<=10mΩ	<=10mΩ	<=10mΩ
INSULATION RESISTANCE	>100MΩ	>100MΩ	>100MΩ	>100MΩ
DEGREE OF PROTECTION	IP67	IP67	IP67	IP67
OPERATION TEMPERATURE	-40~85°C	-40~85°C	-40~85°C	-40~85°C



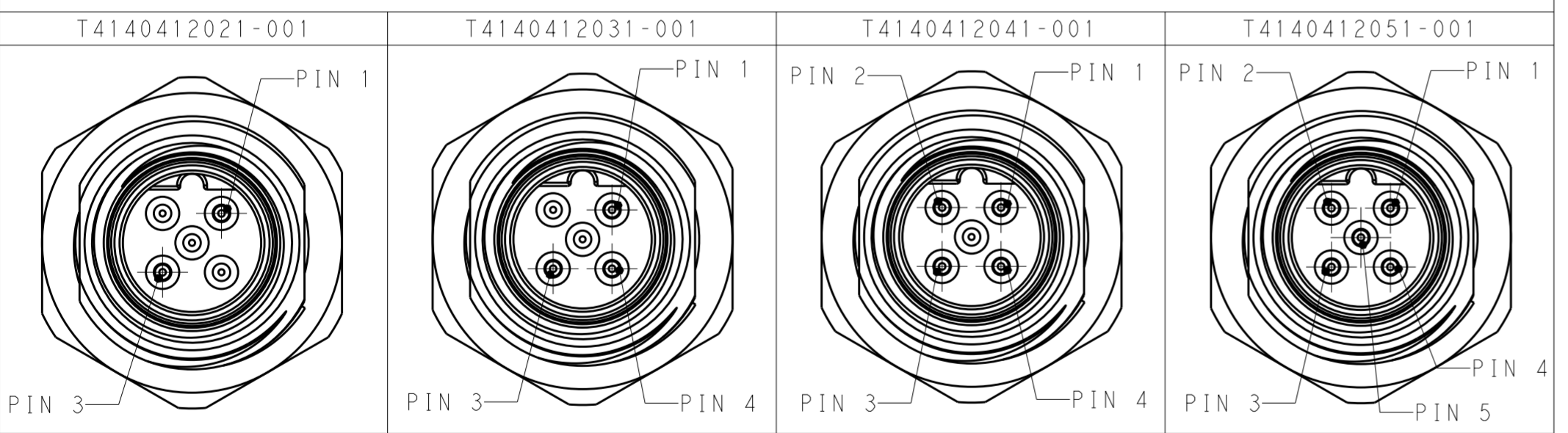
RECOMMENDED PANEL CUTOUT

- NOTE:
1. TECHNICAL DATA: SEE TABLE 1
 2. RECOMMENDED MOUNT PANEL SEE DETAIL
 3. PACKAGING: 1PCS/BAG
 4. ALL DIMENSIONS ARE FOR NOMINAL REFERENCE ONLY UNLESS OTHERWISE STATED

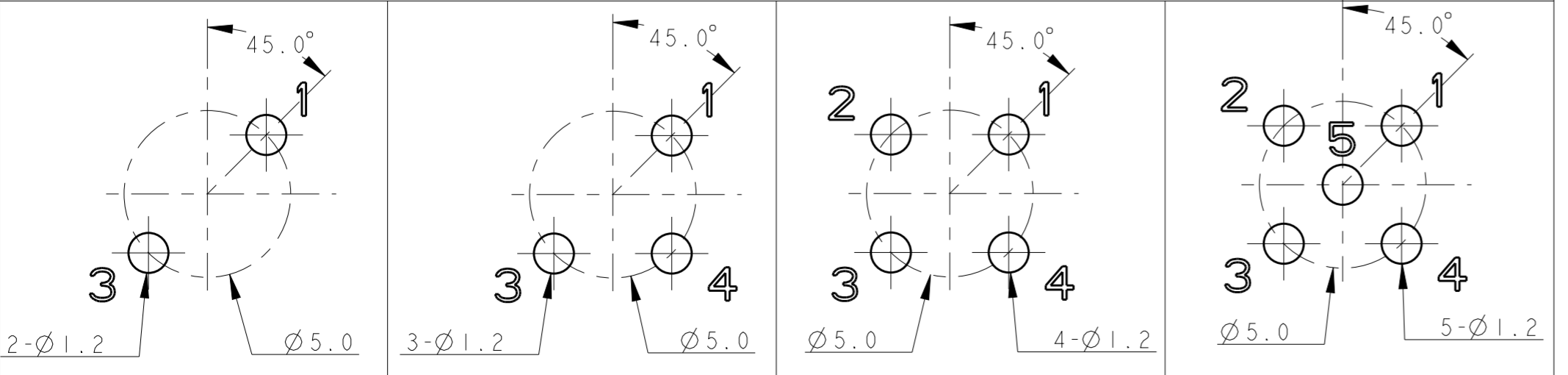
- 注释:
1. 技术参数, 见表1
 2. 推荐开孔尺寸详见如图所示
 3. 包装: 1PCS/袋
 4. 所有尺寸仅供参考, 除非另有说明

T4140412021-001	RPC-M12B-MF-2CON-PG9-LBU1	2
T4140412031-001	RPC-M12B-MF-3CON-PG9-LBU1	3
T4140412041-001	RPC-M12B-MF-4CON-PG9-LBU1	4
T4140412051-001	RPC-M12B-MF-5CON-PG9-LBU1	5
TE PN	TYPE	NUMBER OF POLES

PIN ARRANGEMENT B-CODE



RECOMMENDED DRILLING DIAGRAM



PLATING	MATERIAL	DESCRIPTION	ITEM	T4140412021-001	T4140412031-001	T4140412041-001	T4140412051-001	
FLASH GOLD	COPPER ALLOY	CONTACT		5	2	3	4	5
NICKEL PLATED	COPPER ALLOY	METAL NUT		4	1	1	1	1
-	-	O-RING		3	1	1	1	1
NICKEL PLATED	COPPER ALLOY	M12, MALE, METAL BODY		2	1	1	1	1
-	PA66	M12, MALE HSG		1	1	1	1	1

THIS DRAWING IS A CONTROLLED DOCUMENT.

DWN: GAVIN WANG 28DEC2019
 CHK: KEVIN HUANG 28DEC2019
 APVD: CHRIS WANG 28DEC2019

STE TE Connectivity

NAME: M12 PANEL MOUNT CONNECTOR B CODE, MALE, REAR MOUNTING PCB SOLDERING

PRODUCT SPEC: 108-106140
 APPLICATION SPEC: 114-137144

MATERIAL: - FINISH: - WEIGHT: -

CUSTOMER DRAWING

SIZE: A2 CAGE CODE: - DRAWING NO: T41404120X1001 RESTRICTED TO: -
 SCALE: 3:1 SHEET 1 OF 1 REV B