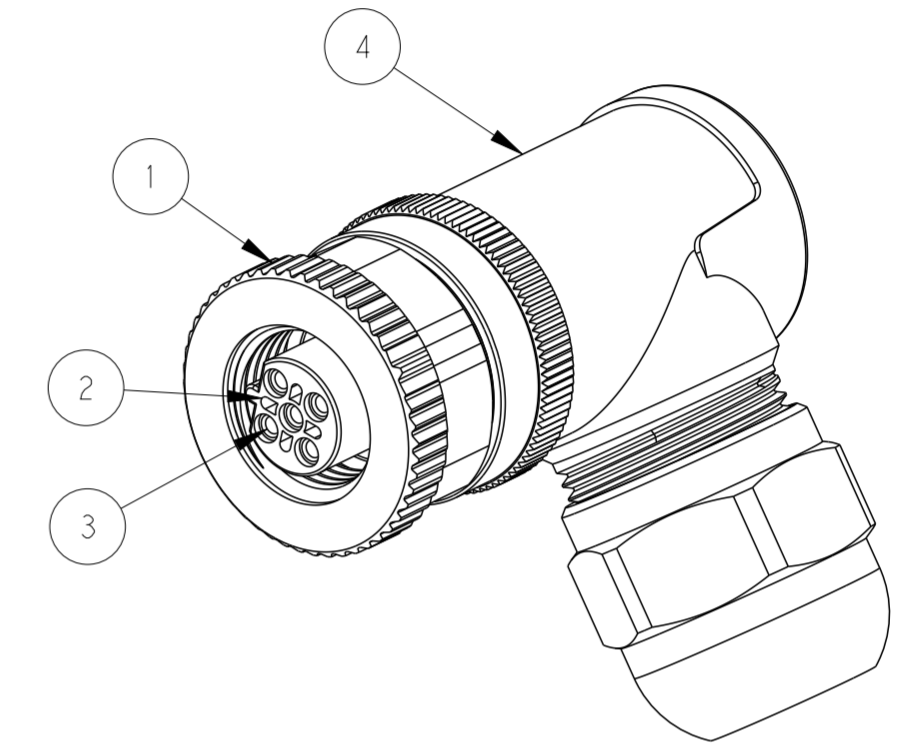
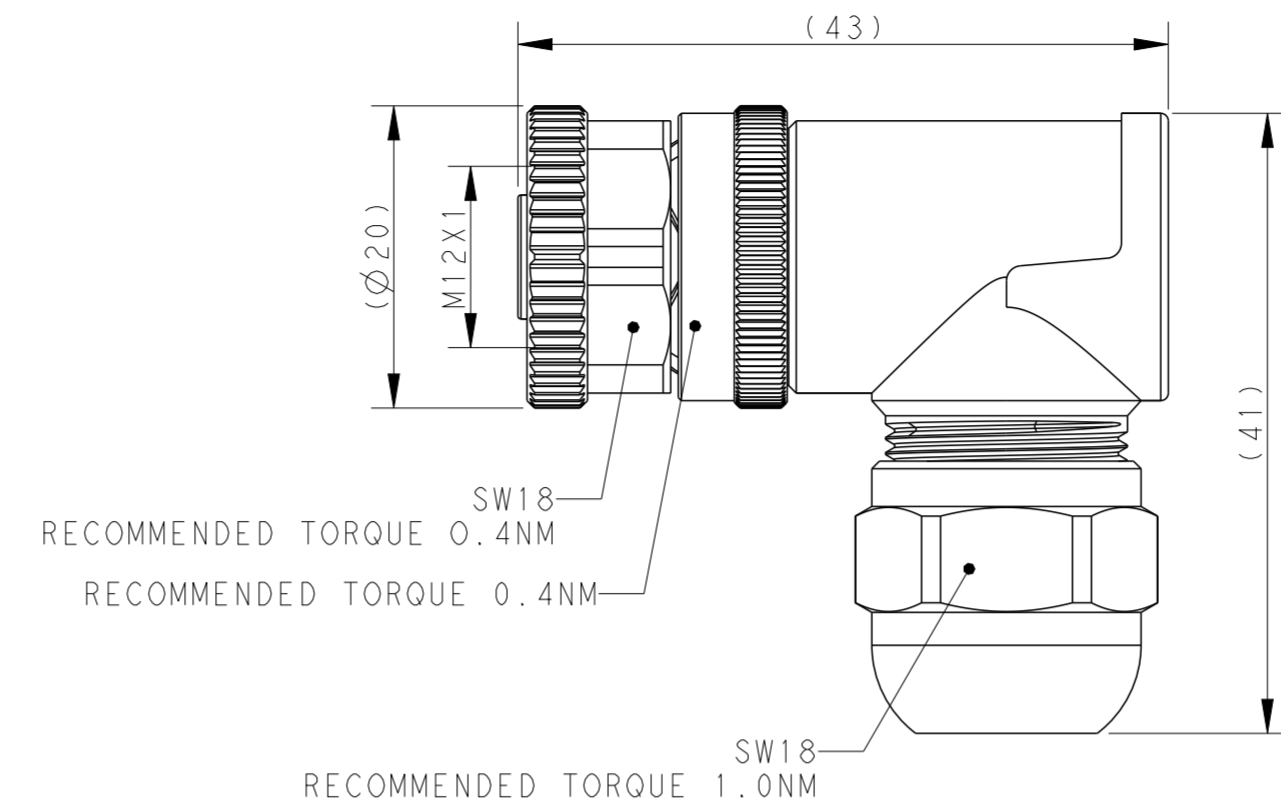
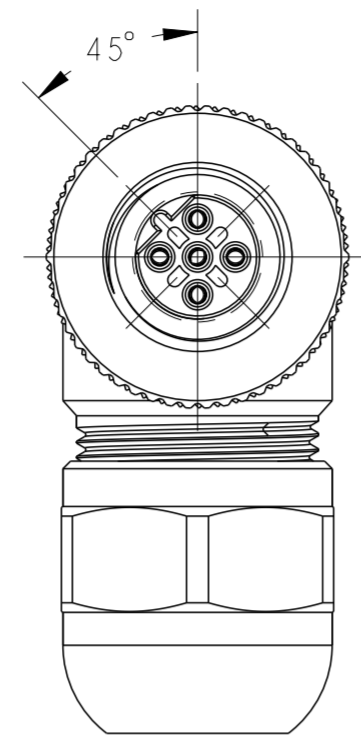


THIS DRAWING IS UNPUBLISHED. RELEASED FOR PUBLICATION 20  
 © COPYRIGHT 20 BY - ALL RIGHTS RESERVED.

REVISIONS				
P	LTR	DESCRIPTION	DATE	APVD
A		INITIAL RELEASE	25SEP2015	N.P X.X
A1		ECR-16-016026	14NOV2016	N.P X.X
A2		ECR-19-006141	02JUL2020	G.W C.W
B		ECR-22-132011	18JUL2022	B.P C.W



TECHNICAL DATA	T411241X02X-000	T411241X03X-000	T411241X04X-000	T411241X05X-000
RATED VOLTAGE	250V	250V	250V	60V
RATED CURRENT	4A	4A	4A	4A
POLLUTION DEGREE	3	3	3	3
OVERVOLTAGE CATEGORY	II	II	II	II
MATERIAL GROUP	II	II	II	II
CONTACT RESISTANCE	≤10mΩ	≤10mΩ	≤10mΩ	≤10mΩ
INSULATION RESISTANCE	>100MΩ	>100MΩ	>100MΩ	>100MΩ
DEGREE OF PROTECTION	IP67	IP67	IP67	IP67
OPERATION TEMPERATURE	-40~85°C	-40~85°C	-40~85°C	-40~85°C

- NOTE:
- MATERIAL:
    - ITEM NO.1: NUT -ZINC DIE-CAST,NICKEL PLATED
    - ITEM NO.2: HOUSING -PA
    - ITEM NO.3: CONTACT -BRONZE
    - ITEM NO.4: HOUSING BODY: -BRASS
  - CONTACT FINISH: GOLD OVER NICKEL OR SILVER OVER NICKEL
  - CABLE WIRES:
    - 24AWG/0.25mm<sup>2</sup>...18AWG/0.75mm<sup>2</sup> (WITHOUT FERRULE)
    - 26AWG/0.14mm<sup>2</sup>...20AWG/0.50mm<sup>2</sup> (WITH FERRULE)
  - ALLDIMENSIONS ARE FOR NOMINAL REFERENCE ONLY UNLESS OTHERWISE STATED
  - PACKAGEING: IPIECE IN A BAG
  - PN INFORMATION

PIN ARRANGEMENT B-CODE		
T411241X02X-000	T411241X03X-000	T411241X04X-000

T4112412051-000	RPC-M12B-FR-5CON-PG9-SHU
T4112411051-000	RPC-M12B-FR-5CON-PG7-SHU
T4112412052-000	RPC-M12B-FR-5CON-PG9-SH
T4112411052-000	RPC-M12B-FR-5CON-PG7-SH
T4112412041-000	RPC-M12B-FR-4CON-PG9-SHU
T4112411041-000	RPC-M12B-FR-4CON-PG7-SHU
T4112412042-000	RPC-M12B-FR-4CON-PG9-SH
T4112411042-000	RPC-M12B-FR-4CON-PG7-SH
T4112412031-000	RPC-M12B-FR-3CON-PG9-SHU
T4112411031-000	RPC-M12B-FR-3CON-PG7-SHU
T4112412032-000	RPC-M12B-FR-3CON-PG9-SH
T4112411032-000	RPC-M12B-FR-3CON-PG7-SH
T4112412021-000	RPC-M12B-FR-2CON-PG9-SHU
T4112411021-000	RPC-M12B-FR-2CON-PG7-SHU
T4112412022-000	RPC-M12B-FR-2CON-PG9-SH
T4112411022-000	RPC-M12B-FR-2CON-PG7-SH
TE PN	TYPE

T411241XXXX-000

- CONTACT FINISH:
  - 1: GOLD OVER NICKEL
  - 2: SILVER OVER NICKEL
- NUMBERS OF PINS:
  - 02: 2 PINS
  - 03: 3 PINS
  - 04: 4 PINS
  - 05: 5 PINS
  - 08: 8 PINS
- CABLE OUTLET:
  - 1: PG7(CABLE FEED: 4-6mm)
  - 2: PG9(CABLE FEED: 6-8mm)

THIS DRAWING IS A CONTROLLED DOCUMENT.		DWN Nick Pan 19AUG2015	TE Connectivity	
DIMENSIONS: mm		CHK Kobby Zhao 24AUG2015		
TOLERANCES UNLESS OTHERWISE SPECIFIED:		APVD Xiang Xu 24AUG2015	NAME M12 FEMALE, B CODE, RA SHIELDED CONNECTOR SCREW TERMINAL	
		PRODUCT SPEC 108-106140	SIZE A2	
MATERIAL		APPLICATION SPEC 114-137144	DRAWING NO C-T411241XXXX000	
FINISH		WEIGHT	RESTRICTED TO	
		CUSTOMER DRAWING	SCALE 2:1 SHEET 1 OF 1 REV B	