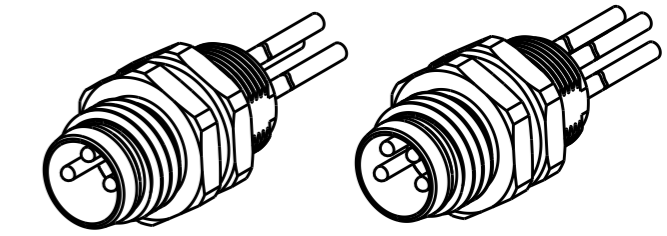
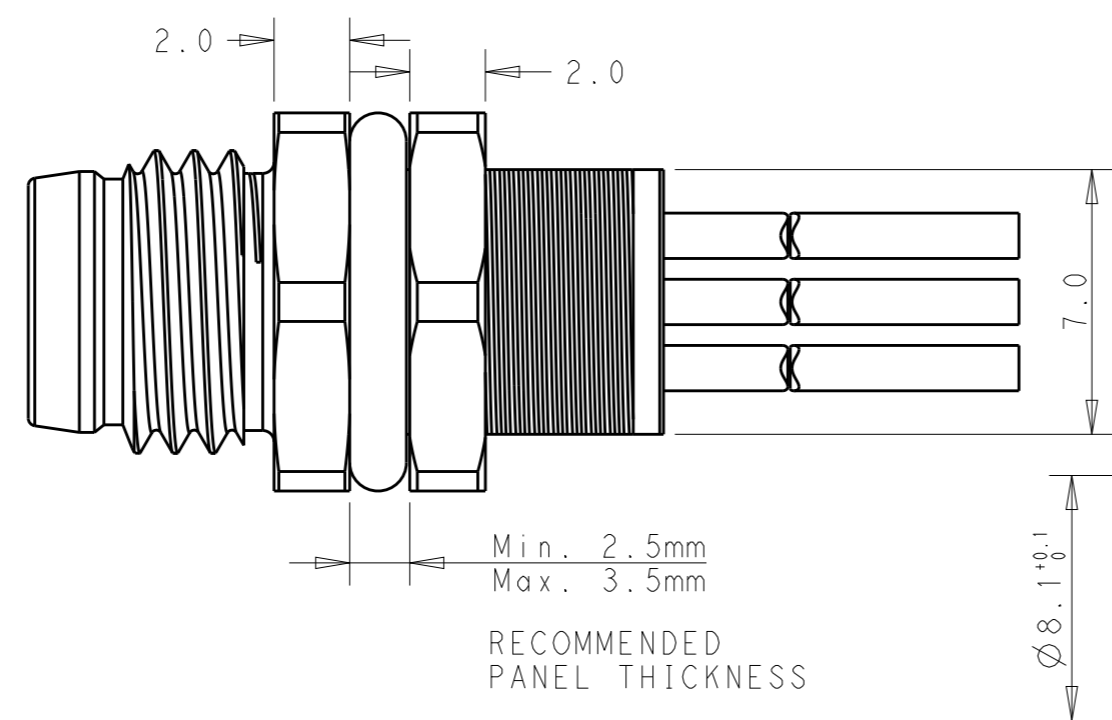
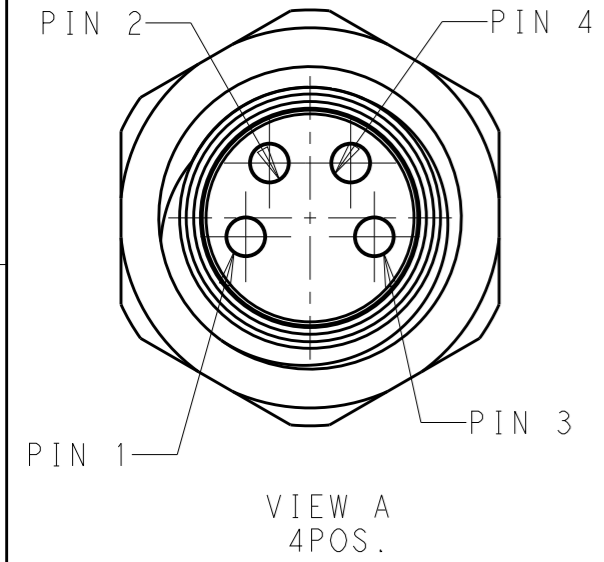
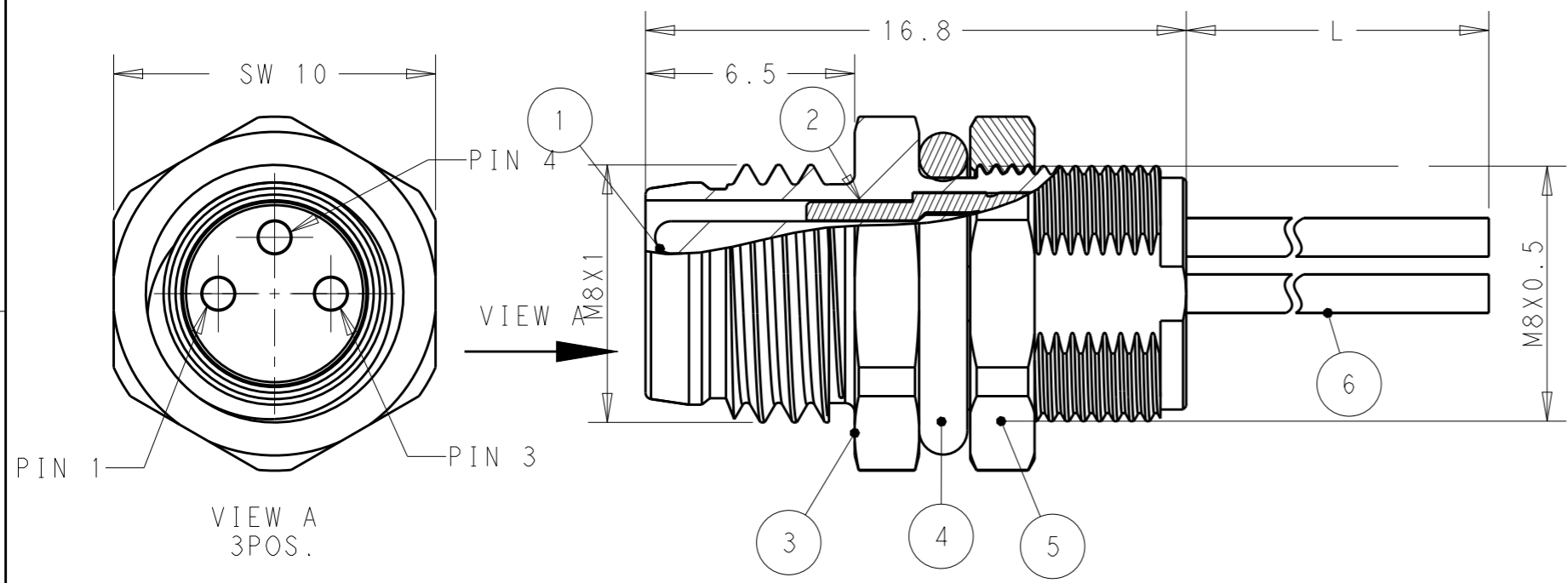


THIS DRAWING IS UNPUBLISHED. RELEASED FOR PUBLICATION 20
 © COPYRIGHT 20 BY - ALL RIGHTS RESERVED.

REVISIONS					
P	LTR	DESCRIPTION	DATE	DWN	APVD
	A	INITIAL RELEASE	19DEC2016	N.P	X.X



NOTES:

1. TECHNICAL DATA: SEE TABLE 1
2. THE RELATION BETWEEN WIRE COLOR AND PIN IS: PIN1 BROWN; PIN2 WHITE; PIN3 BLUE; PIN4 BLACK;
3. -00X: CABLE LENGTH. -001:0.2m; -002:0.5m; -003:1.0m; -004:1.5m; -005:3m; -006:5m;
4. IF CUSTOMER NEED OTHER CABLE LENGTH, PLEASE CONTACT TE PRODUCT MANAGER OR SALES FOR HELP.
5. ALL PRODUCT MUST COMPLIANCE WITH ROHS AND REACH.

注意事项

1. 技术参数：见表1
2. PIN数与线颜色的关系是：PIN1棕色线，PIN2白色线，PIN3蓝色线，PIN4黑色线；
3. -00X，X 为线长，-001:0.2m; -002:0.5m; -003:1.0m; -004:1.5m; -005:3m; -006:5m;
4. 如果客户需要定制的长度，请联系TE销售或者产品经理；
5. 产品必须符合ROHS与REACH.

TABLE 1

TECHNICAL DATA	T4072014031-00X	T4072014041-00X
RATED IMPULSE VOLTAGE	1500V	800V
RATED VOLTAGE	60V	30V
RATED CURRENT	3A	
POLLUTION DEGREE	3	
OVERVOLTAGE CATEGORY	II	
MATERIAL GROUP	II	
DEGREE OF PROTECTION	IP67	
TEMPERATURE	-40°C~85°C	

MATERIAL	DESCRIPTION	ITEM
COPPER ALLOY	WIRE	6
RUBBER	NUT	5
COPPER ALLOY	O-RING	4
PA66	BODY NUT	3
COPPER ALLOY	HOUSING	2
COPPER ALLOY	CONTACT	1

TYPE	POS.	PART NUMBER
RPC-M8-MB-4CON-M8-0.2LA	4	T4072014041-001
RPC-M8-MB-3CON-M8-0.2LA	3	T4072014031-001

THIS DRAWING IS A CONTROLLED DOCUMENT.		DWN Nick Pan 04AUG2016
DIMENSIONS: mm		CHK Kobby Zhao 04AUG2016
TOLERANCES UNLESS OTHERWISE SPECIFIED:		APVD Xiang Xu 04AUG2016
0 PLC	±0.25	PRODUCT SPEC 108-106140
1 PLC	±0.15	APPLICATION SPEC 114-137144-1
2 PLC	±	WEIGHT -
3 PLC	±	CUSTOMER DRAWING
4 PLC	±	
ANGLES	±	
MATERIAL -	FINISH finish_spec_2	

TE TE Connectivity

NAME: M8 PANEL CONNECTOR MALE SIDE WITH WIRE, FRONT MOUNTING

SIZE	CAGE CODE	DRAWING NO	RESTRICTED TO
A3	00779	T40520140X100X	-

SCALE: 5:1 SHEET: 1 OF 1 REV: A