

THIS DRAWING IS UNPUBLISHED.

RELEASED FOR PUBLICATION

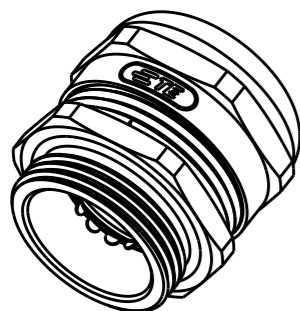
20

© COPYRIGHT 20 BY -

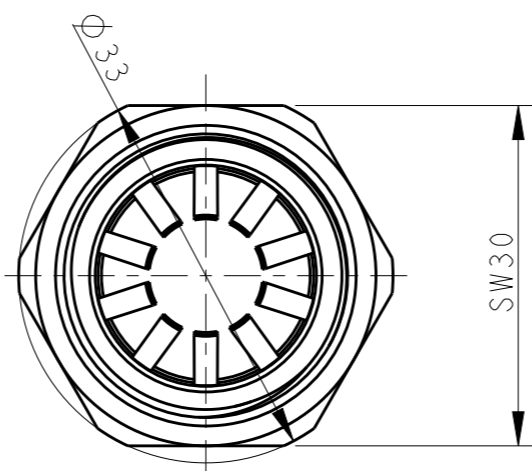
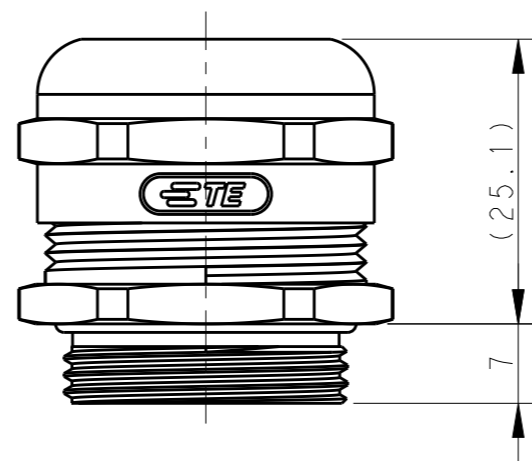
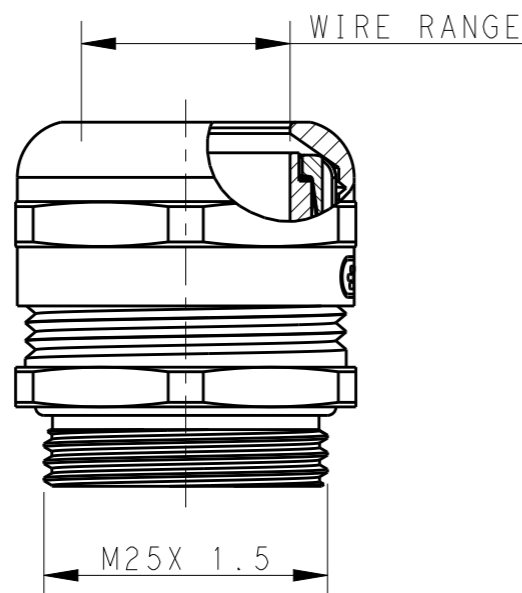
ALL RIGHTS RESERVED.

REVISIONS

P	LTR	DESCRIPTION	DATE	DWN	APVD
	A	INITIAL RELEASE	26 JUL 2016	DW	CW




SCALE 1:1



NOTES / 技术指标:

- I. TECHNICAL CHARACTERISTICS / 技术参数:
 SHELL MATERIAL / 主体材料 : NICKEL PLATED BRASS / 铜镀镍
 SEAL MATERIAL / 密封材料: NBR / 丁腈橡胶
 PINCH RING MATERIAL / 夹紧件材料: PA / 尼龙塑料
 OPERATION TEMPERATURE / 工作温度: -40°C - +100°C
 PROTECTION DEGREE / 防护等级: IP68
 WIRE RANGE / 夹线范围: 13-18 mm

T3609250103-000	DLX-25-MC (13-18) 电磁屏蔽金属接头(M25)(13-18)
PART NUMBER 料号	PART DESCRIPTION 描述

THIS DRAWING IS A CONTROLLED DOCUMENT.		DWN 26 JUL 2016 DAVID WANG	 TE Connectivity	
DIMENSIONS: mm		CHK 26 JUL 2016 CHRIS WANG		
TOLERANCES UNLESS OTHERWISE SPECIFIED:		APVD 26 JUL 2016 XIANG XU	NAME DLX-25-MC (13-18)	
0 PLC ±-		PRODUCT SPEC	-	
1 PLC ±-		APPLICATION SPEC	-	
2 PLC ±-		WEIGHT	-	
3 PLC ±-		CUSTOMER DRAWING	-	
4 PLC ±-		SCALE 3:2	-	
ANGLES ±-		SHEET 1 OF 1	-	
FINISH		REV A	-	
MATERIAL		SIZE CAGE CODE DRAWING NO RESTRICTED TO		
-		A300779 C-T3609250103000 -		