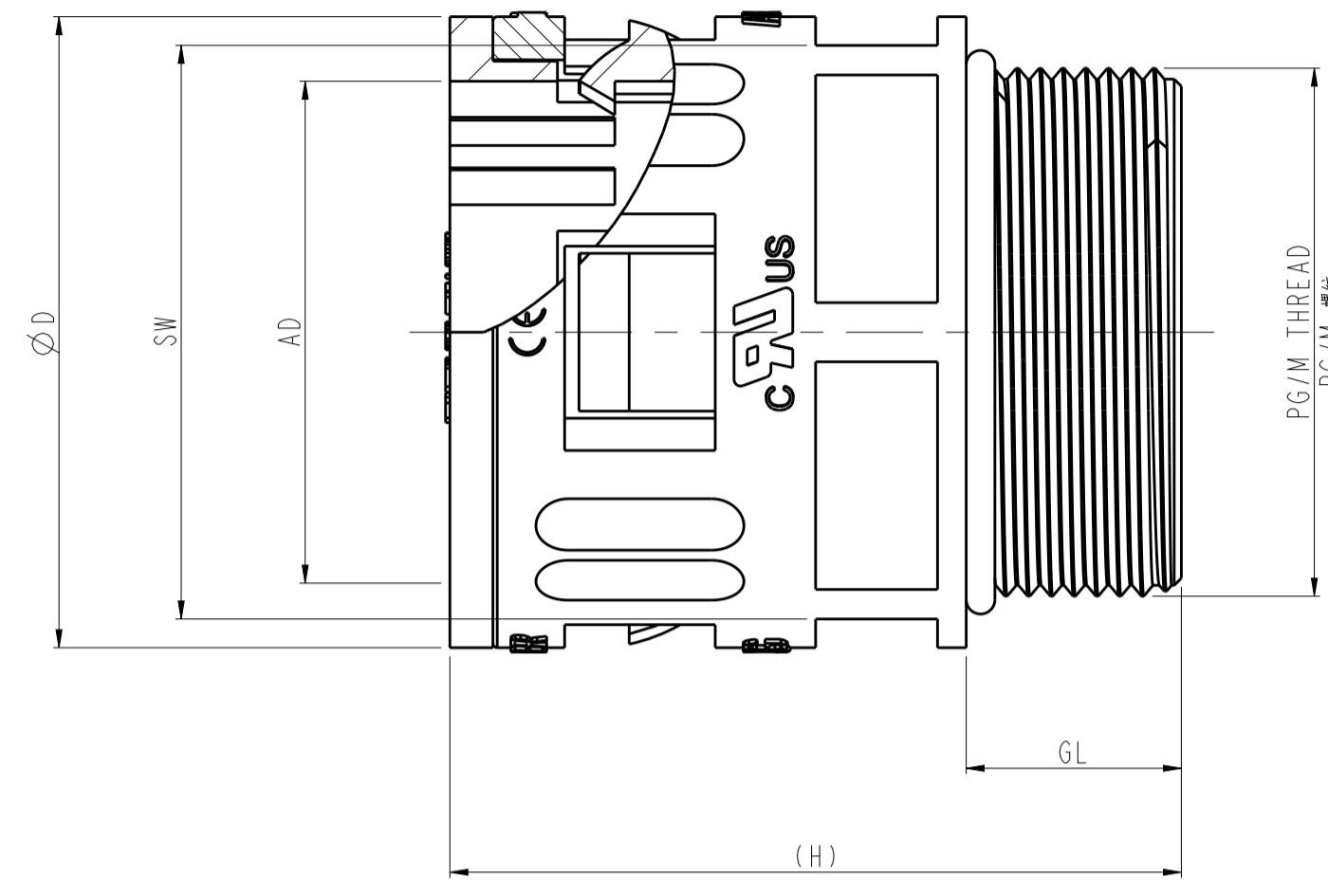
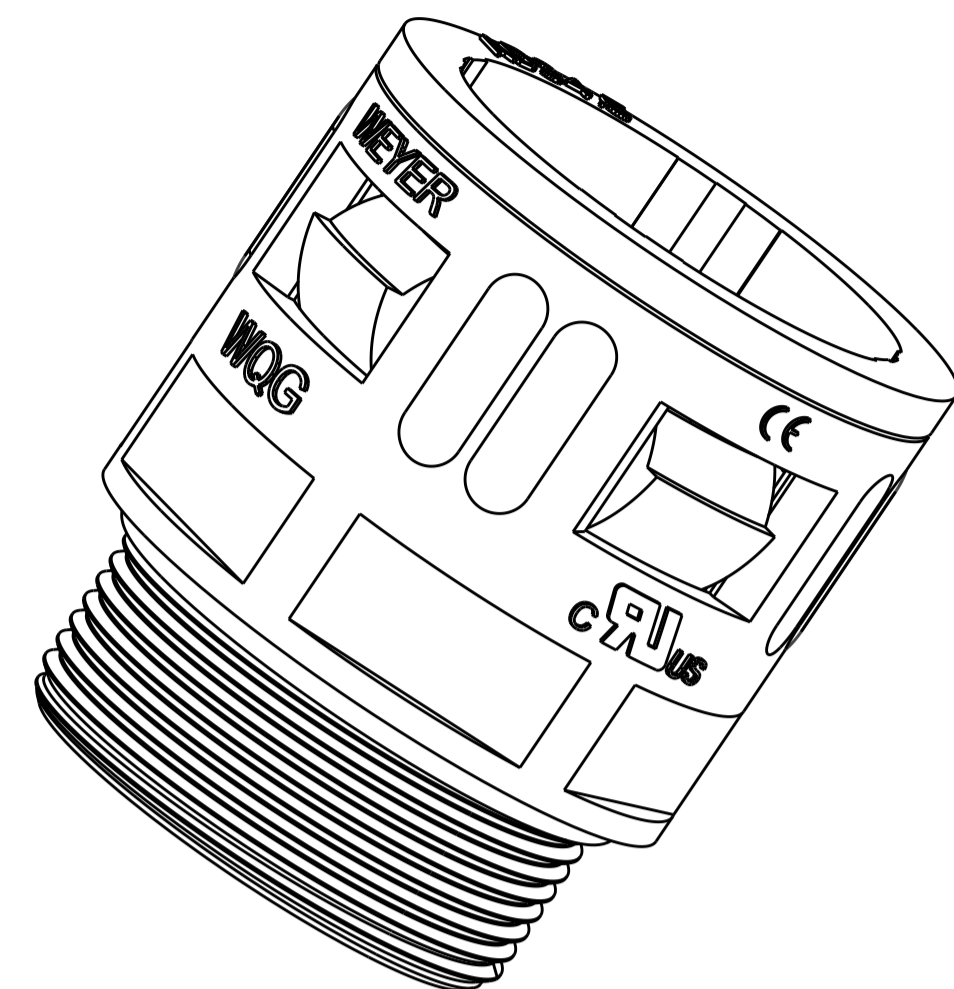


REVISIONS					
P	LTN	DESCRIPTION	DATE	OWN	APPD
	A	INITIAL	29DEC2016	QY	CW



NOTE:
 1. TECHNICAL CHARACTERISTICS:
 LOCK MATERIAL : Polyamide
 BODY MATERIAL : Polyamide
 SEAL MATERIAL : RUBBER
 CLAMPING RANGE : SEE TABLE
 TEMPERATURE RANGE : -40~+115°C
 PROTECTION DEGREE : IP66(MATED)

注释:
 1. 技术参数:
 内锁材料: 尼龙
 主体材料: 尼龙
 密封材料: 橡胶
 夹线范围: 见表格
 工作温度: -40~+115°C
 防护等级: IP66(配合)

PART NUMBER	PART DESCRIPTION	PG/M THREAD	FITS TO TUBING SIZE AD	GL(mm)	ØD(mm)	SW(mm)	(H)	
T3511091301-000	WOGI-P09B/AD13.0-0	PLASTIC FLEXIBLE TUBE FITTINGS PG9 (AD13.0),BLACK 塑料软管接头 PG9 (AD13.0),黑色	PG9	AD13.0	12	20	18	37
T351111601-000	WOGI-P11B/AD15.8-0	PLASTIC FLEXIBLE TUBE FITTINGS PG11 (AD15.8),BLACK 塑料软管接头 PG11 (AD15.8),黑色	PG11	AD15.8	12	23	21	39.5
T3511131901-000	WOGI-P13.5B/AD18.5-0	PLASTIC FLEXIBLE TUBE FITTINGS PG13.5 (AD18.5),BLACK 塑料软管接头 PG13.5 (AD18.5),黑色	PG13.5	AD18.5	13	26	24	42
T3511162101-000	WOGI-P16B/AD21.2-0	PLASTIC FLEXIBLE TUBE FITTINGS PG16 (AD21.2),BLACK 塑料软管接头 PG16 (AD21.2),黑色	PG16	AD21.2	13	29.5	27	45
T3511212801-000	WOGI-P21B/AD28.5-0	PLASTIC FLEXIBLE TUBE FITTINGS PG21 (AD28.5),BLACK 塑料软管接头 PG21 (AD28.5),黑色	PG21	AD28.5	13	37	34	47
T3511293501-000	WOGI-P29B/AD34.5-0	PLASTIC FLEXIBLE TUBE FITTINGS PG29 (AD34.5),BLACK 塑料软管接头 PG29 (AD34.5),黑色	PG29	AD34.5	15	44	40	51
T3511364301-000	WOGI-P36B/AD42.5-0	PLASTIC FLEXIBLE TUBE FITTINGS PG36 (AD42.5),BLACK 塑料软管接头 PG36 (AD42.5),黑色	PG36	AD42.5	15	52	50	54
T3511485501-000	WOGI-P48B/AD54.5-0	PLASTIC FLEXIBLE TUBE FITTINGS PG48 (AD54.5),BLACK 塑料软管接头 PG48 (AD54.5),黑色	PG348	AD54.5	16	64	60	55
T3511161302-000	WOGI-M16B/AD13.0-0	PLASTIC FLEXIBLE TUBE FITTINGS M16 (AD13.0),BLACK 塑料软管接头 M16 (AD13.0),黑色	M16X1.5	AD13.0	12	20	18	37
T3511161602-000	WOGI-M16B/AD15.8-0	PLASTIC FLEXIBLE TUBE FITTINGS M16 (AD15.8),BLACK 塑料软管接头 M16 (AD15.8),黑色	M16X1.5	AD15.8	12	23	21	39.5
T3511201902-000	WOGI-M20B/AD18.5-0	PLASTIC FLEXIBLE TUBE FITTINGS M20 (AD18.5),BLACK 塑料软管接头 M20 (AD18.5),黑色	M20X1.5	AD18.5	13	26	24	42
T3511202102-000	WOGI-M20B/AD21.2-0	PLASTIC FLEXIBLE TUBE FITTINGS M20 (AD21.2),BLACK 塑料软管接头 M20 (AD21.2),黑色	M20X1.5	AD21.2	13	29.5	27	45
T3511252102-000	WOGI-M25B/AD21.2-0	PLASTIC FLEXIBLE TUBE FITTINGS M25 (AD21.2),BLACK 塑料软管接头 M25 (AD21.2),黑色	M25X1.5	AD21.2	13	29.5	27	45
T3511252802-000	WOGI-M25B/AD28.5-0	PLASTIC FLEXIBLE TUBE FITTINGS M25 (AD28.5),BLACK 塑料软管接头 M25 (AD28.5),黑色	M25X1.5	AD28.5	13	37	34	47
T3511322802-000	WOGI-M32B/AD28.5-0	PLASTIC FLEXIBLE TUBE FITTINGS M32 (AD28.5),BLACK 塑料软管接头 M32 (AD28.5),黑色	M32X1.5	AD28.5	13	37	34	47
T3511323202-000	WOGI-M32B/AD31.5-0	PLASTIC FLEXIBLE TUBE FITTINGS M32 (AD31.5),BLACK 塑料软管接头 M32 (AD31.5),黑色	M32X1.5	AD31.5	15	41	37	51
T3511323502-000	WOGI-M32B/AD34.5-0	PLASTIC FLEXIBLE TUBE FITTINGS M32 (AD34.5),BLACK 塑料软管接头 M32 (AD34.5),黑色	M32X1.5	AD34.5	15	44	40	51
T3511403502-000	WOGI-M40B/AD34.5-0	PLASTIC FLEXIBLE TUBE FITTINGS M40 (AD34.5),BLACK 塑料软管接头 M40 (AD34.5),黑色	M40X1.5	AD34.5	15	44	40	51
T3511404302-000	WOGI-M40B/AD42.5-0	PLASTIC FLEXIBLE TUBE FITTINGS M40 (AD42.5),BLACK 塑料软管接头 M40 (AD42.5),黑色	M40X1.5	AD42.5	15	52	50	54
T3511504302-000	WOGI-M50B/AD42.5-0	PLASTIC FLEXIBLE TUBE FITTINGS M50 (AD42.5),BLACK 塑料软管接头 M50 (AD42.5),黑色	M50X1.5	AD42.5	15	52	50	54
T3511505502-000	WOGI-M50B/AD54.5-0	PLASTIC FLEXIBLE TUBE FITTINGS M50 (AD54.5),BLACK 塑料软管接头 M50 (AD54.5),黑色	M50X1.5	AD54.5	16	64	60	55
T3511635502-000	WOGI-M63B/AD54.5-0	PLASTIC FLEXIBLE TUBE FITTINGS M63 (AD54.5),BLACK 塑料软管接头 M63 (AD54.5),黑色	M63X1.5	AD54.5	16	64	60	55
T3531091301-000	WOGI-P09G/AD13.0-0	PLASTIC FLEXIBLE TUBE FITTINGS PG9 (AD13.0),GREY 塑料软管接头 PG9 (AD13.0),灰色	PG09	AD13.0	12	20	18	37
T353111601-000	WOGI-P11G/AD15.8-0	PLASTIC FLEXIBLE TUBE FITTINGS PG11 (AD15.8),GREY 塑料软管接头 PG11 (AD15.8),灰色	PG11	AD15.8	12	23	21	39.5
T3531131901-000	WOGI-P13.5G/AD18.5-0	PLASTIC FLEXIBLE TUBE FITTINGS PG13.5 (AD18.5),GREY 塑料软管接头 PG13.5 (AD18.5),灰色	PG13	AD18.5	13	26	24	42
T3531162101-000	WOGI-P16G/AD21.2-0	PLASTIC FLEXIBLE TUBE FITTINGS PG16 (AD21.2),GREY 塑料软管接头 PG16 (AD21.2),灰色	PG16	AD21.2	13	29.5	27	45
T3531212801-000	WOGI-P21G/AD28.5-0	PLASTIC FLEXIBLE TUBE FITTINGS PG21 (AD28.5),GREY 塑料软管接头 PG21 (AD28.5),灰色	PG21	AD28.5	13	37	34	47
T3531293501-000	WOGI-P29G/AD34.5-0	PLASTIC FLEXIBLE TUBE FITTINGS PG29 (AD34.5),GREY 塑料软管接头 PG29 (AD34.5),灰色	PG29	AD34.5	15	44	40	51
T3531364301-000	WOGI-P36G/AD42.5-0	PLASTIC FLEXIBLE TUBE FITTINGS PG36 (AD42.5),GREY 塑料软管接头 PG36 (AD42.5),灰色	PG36	AD42.5	15	52	50	54
T3531485501-000	WOGI-P48G/AD54.5-0	PLASTIC FLEXIBLE TUBE FITTINGS PG48 (AD54.5),GREY 塑料软管接头 PG48 (AD54.5),灰色	PG48	AD54.5	16	64	60	55
T3531161302-000	WOGI-M16G/AD13.0-0	PLASTIC FLEXIBLE TUBE FITTINGS M16 (AD13.0),GREY 塑料软管接头 M16 (AD13.0),灰色	M16X1.5	AD13.0	12	20	18	37
T3531161602-000	WOGI-M16G/AD15.8-0	PLASTIC FLEXIBLE TUBE FITTINGS M16 (AD15.8),GREY 塑料软管接头 M16 (AD15.8),灰色	M16X1.5	AD15.8	12	23	21	39.5
T3531201902-000	WOGI-M20G/AD18.5-0	PLASTIC FLEXIBLE TUBE FITTINGS M20 (AD18.5),GREY 塑料软管接头 M20 (AD18.5),灰色	M20X1.5	AD18.5	13	26	24	42
T3531202102-000	WOGI-M20G/AD21.2-0	PLASTIC FLEXIBLE TUBE FITTINGS M20 (AD21.2),GREY 塑料软管接头 M20 (AD21.2),灰色	M20X1.5	AD21.2	13	29.5	27	45
T3531252102-000	WOGI-M25G/AD21.2-0	PLASTIC FLEXIBLE TUBE FITTINGS M25 (AD21.2),GREY 塑料软管接头 M25 (AD21.2),灰色	M25X1.5	AD21.2	13	29.5	27	45
T3531252802-000	WOGI-M25G/AD28.5-0	PLASTIC FLEXIBLE TUBE FITTINGS M25 (AD28.5),GREY 塑料软管接头 M25 (AD28.5),灰色	M25X1.5	AD28.5	13	37	34	47
T3531322802-000	WOGI-M32G/AD28.5-0	PLASTIC FLEXIBLE TUBE FITTINGS M32 (AD28.5),GREY 塑料软管接头 M32 (AD28.5),灰色	M32X1.5	AD28.5	13	37	34	47
T3531323202-000	WOGI-M32G/AD31.5-0	PLASTIC FLEXIBLE TUBE FITTINGS M32 (AD31.5),GREY 塑料软管接头 M32 (AD31.5),灰色	M32X1.5	AD31.5	15	41	37	51
T3531323502-000	WOGI-M32G/AD34.5-0	PLASTIC FLEXIBLE TUBE FITTINGS M32 (AD34.5),GREY 塑料软管接头 M32 (AD34.5),灰色	M32X1.5	AD34.5	15	44	40	51
T3531403502-000	WOGI-M40G/AD34.5-0	PLASTIC FLEXIBLE TUBE FITTINGS M40 (AD34.5),GREY 塑料软管接头 M40 (AD34.5),灰色	M40X1.5	AD34.5	15	44	40	51
T3531404302-000	WOGI-M40G/AD42.5-0	PLASTIC FLEXIBLE TUBE FITTINGS M40 (AD42.5),GREY 塑料软管接头 M40 (AD42.5),灰色	M40X1.5	AD42.5	15	52	50	54
T3531504302-000	WOGI-M50G/AD42.5-0	PLASTIC FLEXIBLE TUBE FITTINGS M50 (AD42.5),GREY 塑料软管接头 M50 (AD42.5),灰色	M50X1.5	AD42.5	15	52	50	54
T3531505502-000	WOGI-M50G/AD54.5-0	PLASTIC FLEXIBLE TUBE FITTINGS M50 (AD54.5),GREY 塑料软管接头 M50 (AD54.5),灰色	M50X1.5	AD54.5	16	64	60	55
T3531635502-000	WOGI-M63G/AD54.5-0	PLASTIC FLEXIBLE TUBE FITTINGS M63 (AD54.5),GREY 塑料软管接头 M63 (AD54.5),灰色	M63X1.5	AD54.5	16	64	60	55

THIS DRAWING IS A CONTROLLED DOCUMENT. DIMENSIONS: mm. TOLERANCES UNLESS OTHERWISE SPECIFIED: 0 PLC ±, 1 PLC ±, 2 PLC ±, 3 PLC ±, 4 PLC ±, ANGLES ±. MATERIAL: FINISH: WEIGHT: &weight_3d. CUSTOMER DRAWING. DWN: QIANG YUAN 29DEC2016. CHK: KYLE ZENG 29DEC2016. APPD: CHRIS WANG 29DEC2016. PRODUCT SPEC: APPLICATION SPEC. NAME: PLASTIC FLEXIBLE TUBE FITTINGS. SIZE: CAGE CODE: DRAWING NO: 00779. RESTRICTED TO: A1. SCALE: 2:1. SHEET 1 OF 1. REV A.