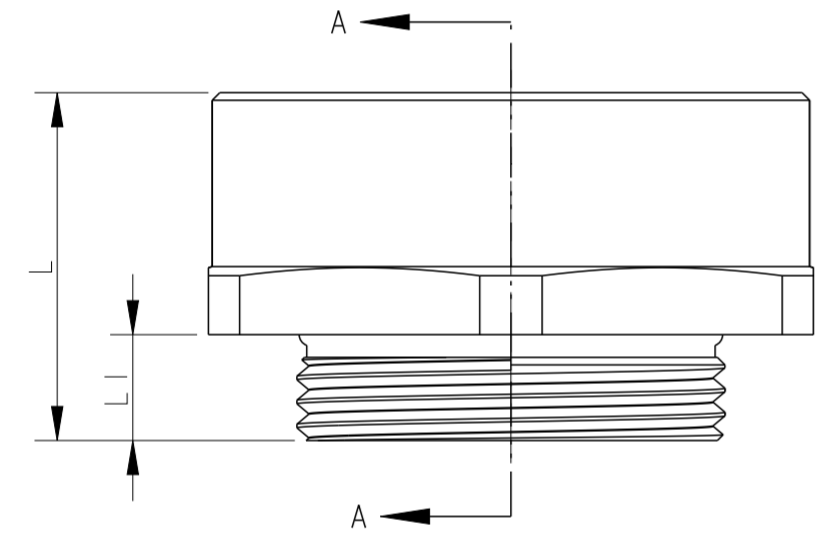
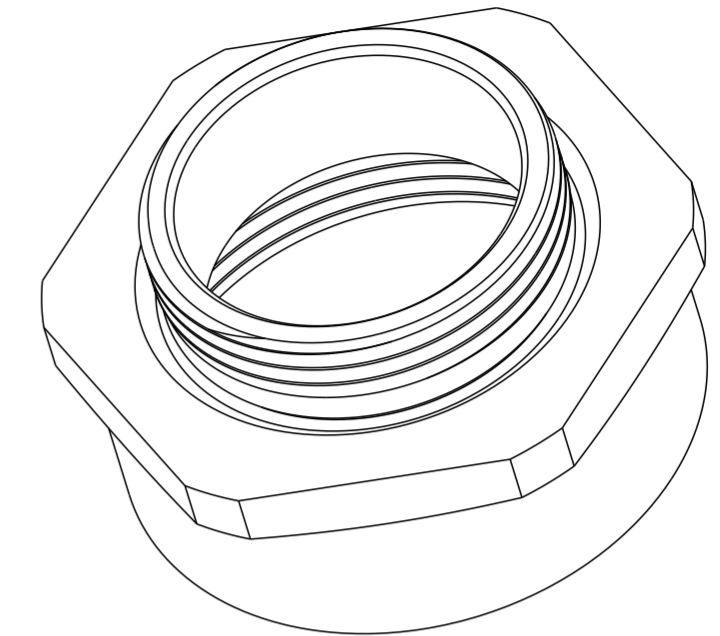
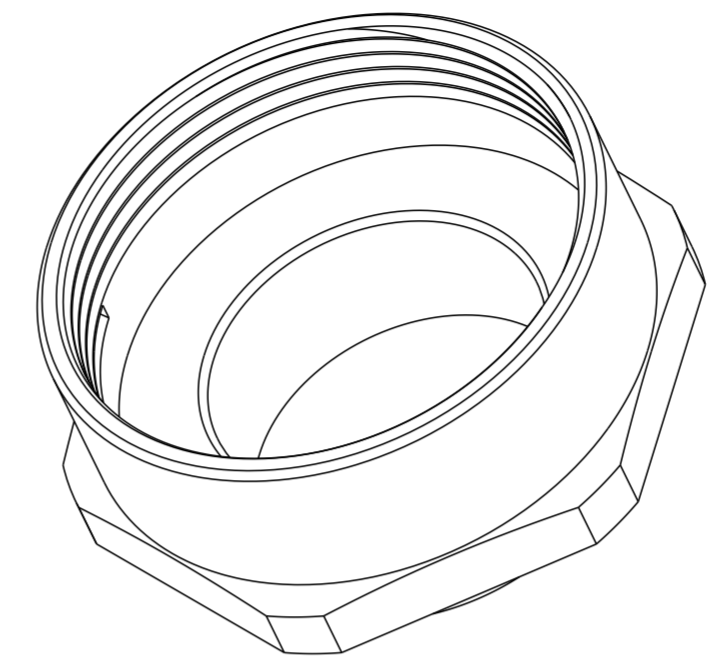
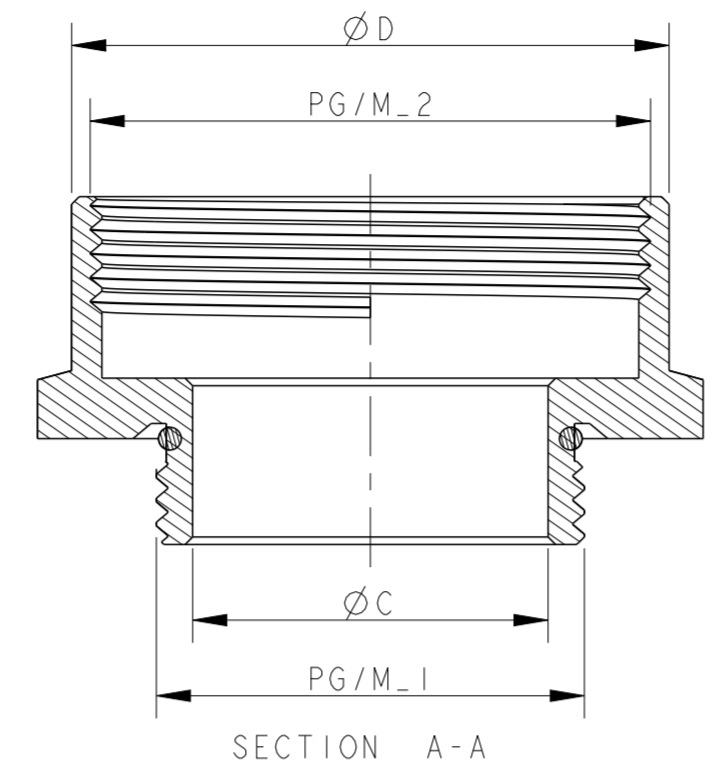
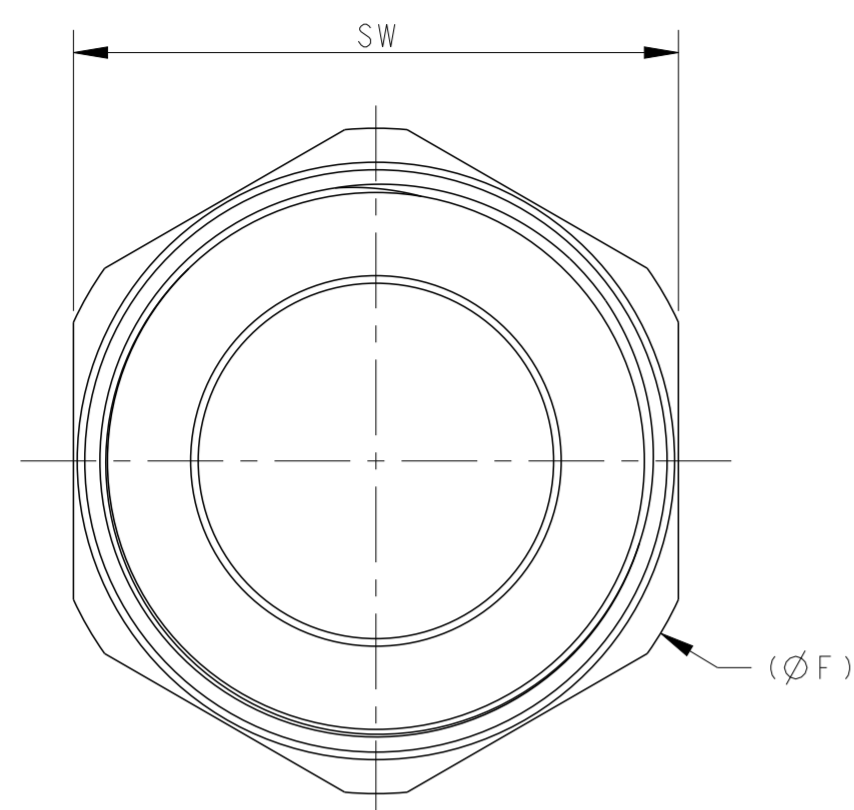


THIS DRAWING IS UNPUBLISHED. RELEASED FOR PUBLICATION 20  
 © COPYRIGHT 20 BY - ALL RIGHTS RESERVED.

REVISIONS					
P	LTR	DESCRIPTION	DATE	DWN	APVD
A1		ECR-17-011750	15AUG2017	YC	CW
A2		ECR-19-004297	21MAR2019	SR	CW
A3		ECR-22-137196	18AUG2021	QY	CW
A4		ECR-23-166982	22FEB2023	HQ	CW



PART NUMBER 料号	PART DESCRIPTION 描述	BODY MAT'L+SURFACE 材质+表面处理	PG/M_1 外螺纹		PG/M_2 内螺纹		SW	C	D	F	L	LI
			PG/M_1	PG/M_2	PG/M_1	PG/M_2						
T3033324050-100	INCR-32/40-M	METAL INCREASERS(M32-M40)28.7 金属变径接头_增径(M32-M40)内径28.7	M32	M40	45	28.7	44.5	49.6	23.5	8		
T3033091101-000	INCR-9/11-PG	METAL INCREASERS(PG9-PG11) 金属变径接头_增径(PG9-PG11)	PG9	PG11	22	12	21.5	24.4	21	7		
<del>T3033111301-000</del>	<del>INCR-11/13.5-PG</del>	<del>METAL INCREASERS(PG11-PG13.5) 金属变径接头_增径(PG11-PG13.5)</del>	<del>PG11</del>	<del>PG13.5</del>	<del>24</del>	<del>13.5</del>	<del>23.5</del>	<del>26.6</del>	<del>21</del>	<del>7</del>		
<del>T3033131601-000</del>	<del>INCR-13.5/16-PG</del>	<del>METAL INCREASERS(PG13.5-PG16) 金属变径接头_增径(PG13.5-PG16)</del>	<del>PG13.5</del>	<del>PG16</del>	<del>26</del>	<del>15</del>	<del>25.5</del>	<del>28.9</del>	<del>22</del>	<del>7</del>		
T3033162102-000	INCR-16/21-PG	METAL INCREASERS(PG16-PG21) 金属变径接头_增径(PG16-PG21)	PG16	PG21	32	18	31.5	35.2	22	7		
T3033212902-000	INCR-21/29-PG	METAL INCREASERS(PG21-PG29) 金属变径接头_增径(PG21-PG29)	PG21	PG29	40	24.5	39.5	44	23	7		
T3033293601-000	INCR-29/36-PG	METAL INCREASERS(PG29-PG36) 金属变径接头_增径(PG29-PG36)	PG29	PG36	50	33	49.5	55	27.5	8		
<del>T3033364201-000</del>	<del>INCR-36/42-PG</del>	<del>METAL INCREASERS(PG36-PG42) 金属变径接头_增径(PG36-PG42)</del>	<del>PG36</del>	<del>PG42</del>	<del>57</del>	<del>42.5</del>	<del>56.5</del>	<del>62.5</del>	<del>28</del>	<del>10</del>		
<del>T3033121650-000</del>	<del>INCR-12/16-M</del>	<del>METAL INCREASERS(M12-M16) 金属变径接头_增径(M12-M16)</del>	<del>M12</del>	<del>M16</del>	<del>19</del>	<del>8.5</del>	<del>18.5</del>	<del>21</del>	<del>16</del>	<del>6</del>		
T3033162050-000	INCR-16/20-M	METAL INCREASERS(M16-M20) 金属变径接头_增径(M16-M20)	M16	M20	23	12.5	22.5	25.5	21	7		
T3033161150-000	INCR-M16-PG11	METAL INCREASERS(M16-PG11) 金属变径接头_增径(M16-PG11)	M16	PG11	22	12.5	21.5	24.4	21	7		
T3168161612-000	INCR-M16-PG16	METAL INCREASERS(M16-PG16) 金属变径接头_增径(M16-PG16)	M16	PG16	25	11	24.5	28	17.5	6		
T3033202550-000	INCR-20/25-M	METAL INCREASERS(M20-M25) 金属变径接头_增径(M20-M25)	M20	M25	27	16.5	26.5	29.5	21	7		
T3168201612-000	INCR-M20-PG16	METAL INCREASERS(M20-PG16) 金属变径接头_增径(M20-PG16)	M20	PG16	27	15.5	26.5	29.5	18	7		
<del>T3033252150-000</del>	<del>INCR-M25-PG21</del>	<del>METAL INCREASERS(M25-PG21) 金属变径接头_增径(M25-PG21)</del>	<del>M25</del>	<del>PG21</del>	<del>32</del>	<del>20.5</del>	<del>31.5</del>	<del>35.2</del>	<del>19</del>	<del>7</del>		
<del>T3033252950-000</del>	<del>INCR-M25-PG29</del>	<del>METAL INCREASERS(M25-PG29) 金属变径接头_增径(M25-PG29)</del>	<del>M25</del>	<del>PG29</del>	<del>40</del>	<del>20.5</del>	<del>39.5</del>	<del>44</del>	<del>21</del>	<del>7</del>		
T3033253250-000	INCR-25/32-M	METAL INCREASERS(M25-M32) 金属变径接头_增径(M25-M32)	M25	M32	36	20.5	35.5	39.3	20	7		
T3033322950-000	INCR-M32-PG29	METAL INCREASERS(M32-PG29) 金属变径接头_增径(M32-PG29)	M32	PG29	40	27	39.5	44	24.5	8		
T3033324050-000	INCR-32/40-M	METAL INCREASERS(M32-M40) 金属变径接头_增径(M32-M40)	M32	M40	45	27.5	44.5	49.6	23.5	8		
T3033405050-000	INCR-40/50-M	METAL INCREASERS(M40-M50) 金属变径接头_增径(M40-M50)	M40	M50	55	35.5	54.5	59.6	28	9		
T3033506350-000	INCR-50/63-M	METAL INCREASERS(M50-M63) 金属变径接头_增径(M50-M63)	M50	M63	68	45.5	67.5	72.6	23.5	8		
<del>T3168293601-100</del>	<del>INCR-29/36-PG-BX</del>	<del>METAL INCREASERS(PG29-PG36) (STAINLESS STEEL) 金属变径接头_增径(PG29-PG36)(不锈钢)</del>	<del>PG29</del>	<del>PG36</del>	<del>50</del>	<del>32.5</del>	<del>49.5</del>	<del>55</del>	<del>27.5</del>	<del>8</del>		

NOTES:  
 1. TECHNICAL CHARACTERISTICS:  
 BODY MATERIAL: SEE TABLE  
 O-RING MATERIAL: ELASTIC RUBBER

注释:  
 1. 技术参数:  
 主体材料: 见表格  
 O型圈材料: 弹性橡胶

THIS DRAWING IS A CONTROLLED DOCUMENT.

DWN: DAVID LI 10MAY2016  
 CHK: CHRIS WANG 10MAY2016  
 APVD: XU XIANG 10MAY2016

TE Connectivity  
**STE**  
 METAL INCREASERS

NAME: METAL INCREASERS

SIZE: A2 CAGE CODE: - DRAWING NO: C-T3033XXXXXX000 RESTRICTED TO: -

SCALE: 2:1 SHEET: 1 OF 1 REV: A4