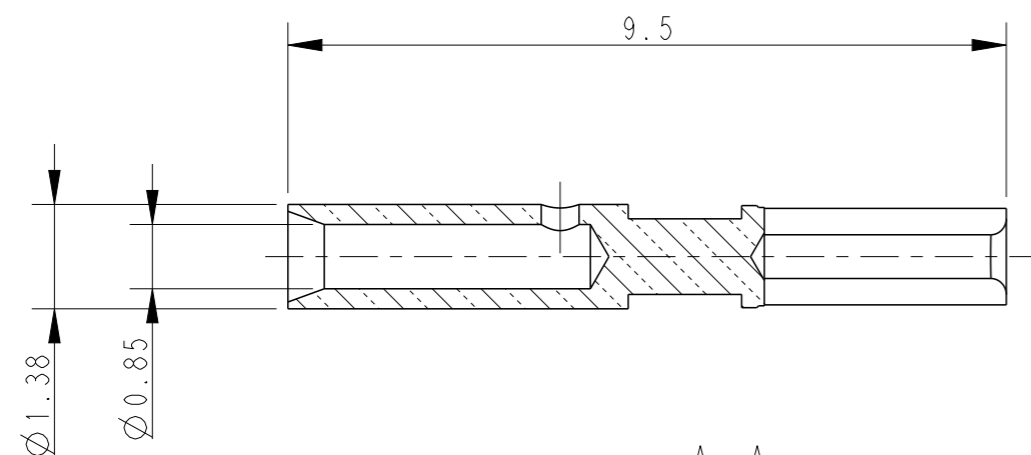
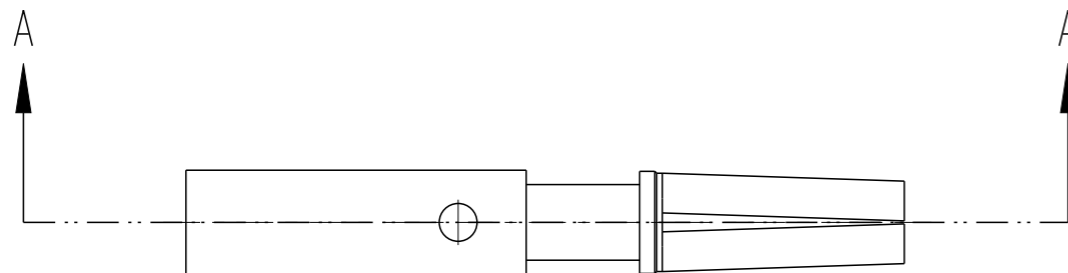
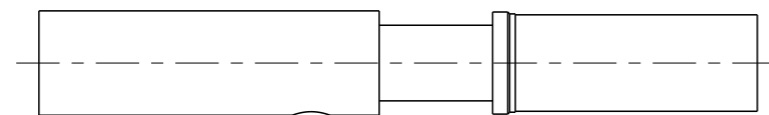


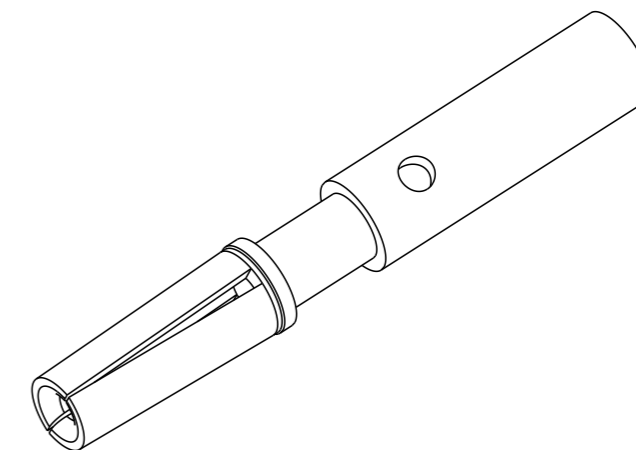
P	LTR	DESCRIPTION	DATE	DWN	APVD
	A	INITIAL RELEASE	16OCT2023	AD	CW

NOTES:
 1. TECHNICAL CHARACTERISTICS:
 CONTACT MATERIAL: BRASS ALLOY.
 SURFACE TREATMENT: GOLD PLATING
 CONTACT RESISTANCE: $\leq 15m\Omega$
 OPERAATION TEMPERATURE: $-40\sim+125^{\circ}C$
 DIGITAL CRIMPING TOOL:
 TE PART NO.: C0-0235-000-000
 LOCATOR FOR DIGITAL CRIMPING TOOL:
 TE PART NO.: C0-0265-000-000

注释:
 1. 技术参数:
 针件材料: 铜合金
 表面处理: 镀金
 接触电阻: $\leq 15m\Omega$
 工作温度: $-40\sim+125^{\circ}C$
 数码压接工具:
 TE料号: C0-0235-000-000
 数码压接工具的定位器:
 TE料号: C0-0265-000-000



SECTION A-A



T2400012002-000	ETH-CS-0.6	ETHERNET SOCKET CONTACT $\varnothing 0.6MM$, GOLD PLATED, CRIMP 以太网母端子 $\varnothing 0.6$, 镀金, 压接
-----------------	------------	---

PART NUMBER
料号

PART DESCRIPTION
描述

THIS DRAWING IS A CONTROLLED DOCUMENT.		DWN 16OCT2023 Alan Dong				
DIMENSIONS: mm		CHK 16OCT2023 Gino Yao				
TOLERANCES UNLESS OTHERWISE SPECIFIED:		APVD 16OCT2023 Chris Wang	NAME ETHERNET SOCKET CONTACT CALIBER 0.6MM			
0 PLC \pm -	FINISH	PRODUCT SPEC 108-137683	SIZE A3	CAGE CODE 00779	DRAWING NO G-T2400012002000	RESTRICTED TO -
1 PLC \pm -		APPLICATION SPEC 114-137683	SCALE 10:1	SHEET 1 OF 1	REV A	
2 PLC \pm -		MATERIAL -	WEIGHT 0.076 g	CUSTOMER DRAWING		
3 PLC \pm -						
4 PLC \pm -						
ANGLES \pm -						