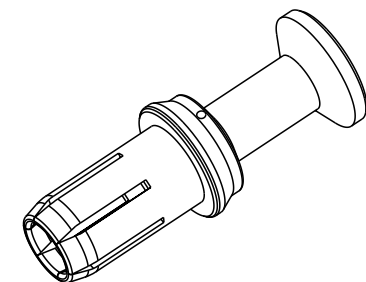
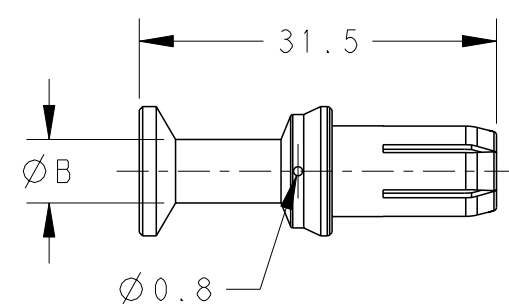


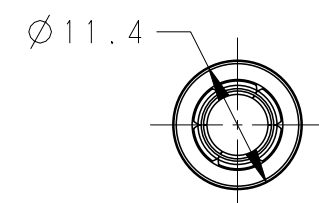
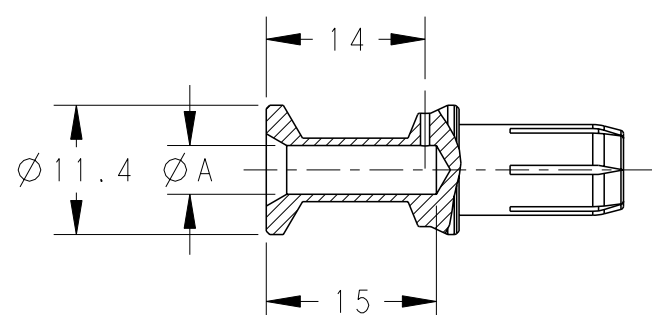
THIS DRAWING IS UNPUBLISHED. RELEASED FOR PUBLICATION 20
 © COPYRIGHT 20 BY - ALL RIGHTS RESERVED.

P	LTR	DESCRIPTION	DATE	DWN	APVD
	A	INITIAL	15MAY2015	DW	CW
	A1	ECR-16-015170	11JAN2017	YC	CW
	B	ECR-19-018087	22NOV2019	YC	CW
	B1	ECR-21-125167	4JAN2022	GY	CW

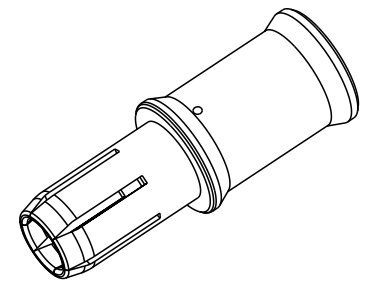
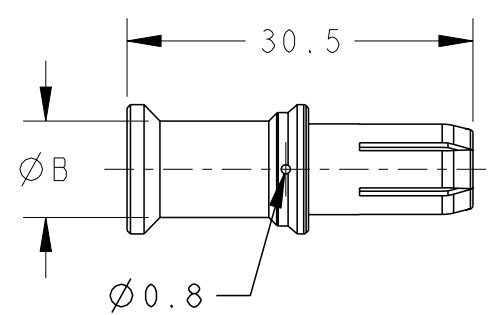


TYPE 1:
 CSF-10 T2400002100-000
 类型 1:
 CSF-10 T2400002100-000

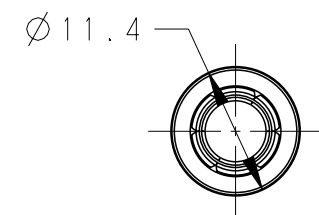
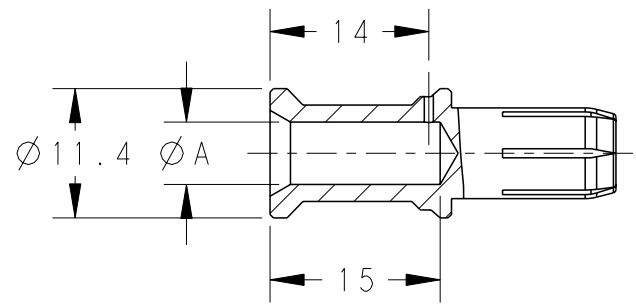
NOTES:
 1. TECHNICAL CHARACTERISTICS:
 CONTACT MATERIAL: BRASS
 SURFACE PLATING:
 SILVER PLATING: $\geq 2\mu\text{m}$
 CONTACT RESISTANCE: $\leq 1.5\text{m}\Omega$
 WIRE RANGE: 6.0-25mm²



注释:
 1. 技术参数:
 公针材料: 黄铜
 表面电镀:
 镀银: $\geq 2\mu\text{m}$
 接触电阻: $\leq 1.5\text{m}\Omega$
 接线范围: 6.0-25mm²



TYPE 2:
 CSF-16 T2400002160-000
 类型 2:
 CSF-16 T2400002160-000



THIS DRAWING IS A CONTROLLED DOCUMENT.		DWN DAVID WANG 15MAY2015	TE Connectivity	
		CHK CHRIS WANG 15MAY2015		
		APVD XIANG XU 15MAY2015	NAME CSF SS SOCKET CONTACT	
DIMENSIONS: mm		PRODUCT SPEC 108-137059		
TOLERANCES UNLESS OTHERWISE SPECIFIED:		APPLICATION SPEC 114-137059		
0 PLC ±- 1 PLC ±- 2 PLC ±- 3 PLC ±- 4 PLC ±- ANGLES ±-		WEIGHT -	SIZE A300779	RESTRICTED TO -
MATERIAL -		FINISH -	CAGE CODE G-T2400002XX0000	
		CUSTOMER DRAWING	SCALE 3:2	SHEET 1 OF 2
				REV B1

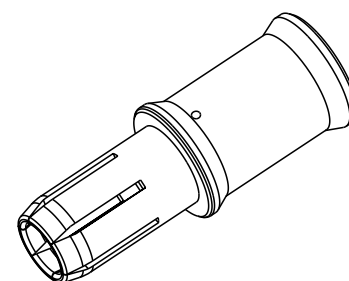
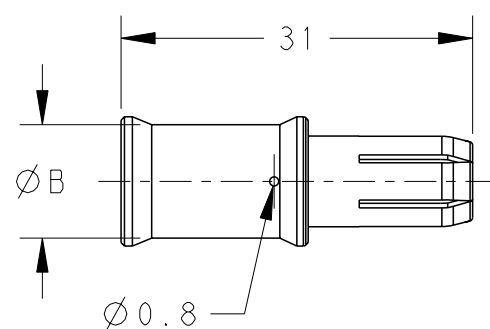
Printed on 4 Jan 2022 16:33 (China Standard Time) from TE152312

THIS DRAWING IS UNPUBLISHED. RELEASED FOR PUBLICATION 20

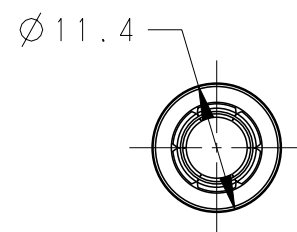
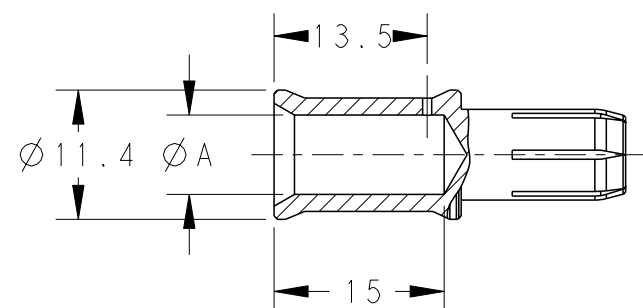
© COPYRIGHT 20 BY - ALL RIGHTS RESERVED.

REVISIONS

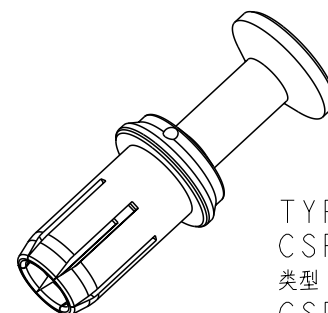
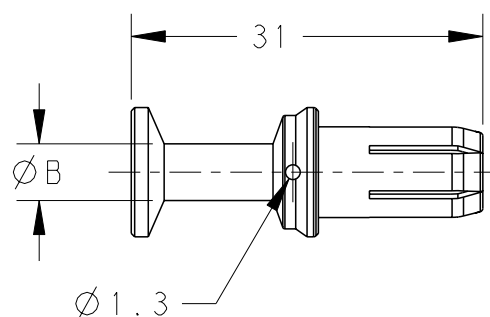
P	LTR	DESCRIPTION	DATE	DWN	APVD
-	-	SEE SHEET 1	-	-	-



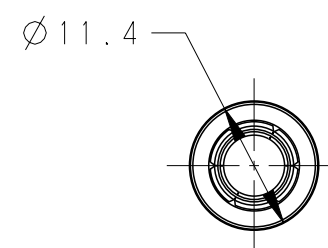
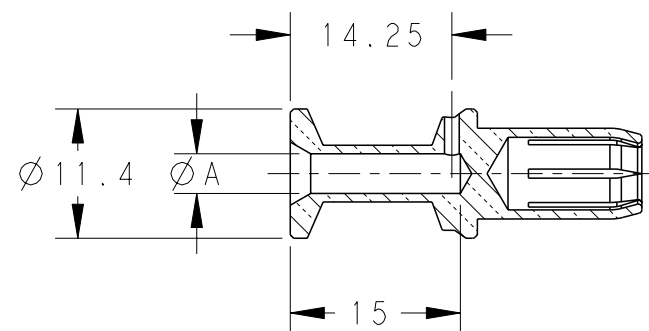
NOTES:
SEE SHEET 1.
注释:
见SHEET 1.



TYPE 3:
CSF-25 T2400002250-000
类型 3:
CSF-25 T2400002250-000



TYPE 4:
CSF-6.0 T2400002060-000
类型 4:
CSF-6.0 T2400002060-000



T2400002100-000	CSF-10	CSF-10, SILVER PLATING / SS母针 10mm ² , 镀银	4.3	5.6	10	15	TYPE 1
T2400002160-000	CSF-16	CSF-16, SILVER PLATING / SS母针 16mm ² , 镀银	5.5	8.5	16		TYPE 2
T2400002250-000	CSF-25	CSF-25, SILVER PLATING / SS母针 25mm ² , 镀银	7.0	10.0	25		TYPE 3
T2400002060-000	CSF-6.0	CSF-6.0, SILVER PLATING / SS母针 6.0mm ² , 镀银	3.5	5.0	6		TYPE 4
PART NUMBER 料号	PART DESCRIPTION 描述		ØA	ØB	WIRE GAUGE 线规(mm ²)	STRIPPING LENGTH(mm) 剥线长度	TYPE 类型

THIS DRAWING IS A CONTROLLED DOCUMENT.

DWN 15MAY2015
DAVID WANG
CHK 15MAY2015
CHRIS WANG
APVD 15MAY2015
XIANG XU

PRODUCT SPEC 108-137059
APPLICATION SPEC 114-137059
WEIGHT -

TE TE Connectivity

NAME CSF SS SOCKET CONTACT

SIZE A3 CAGE CODE 00779 DRAWING NO. T2400002XX0000 RESTRICTED TO -

CUSTOMER DRAWING SCALE 3:2 SHEET 2 OF 2 REV B1

DIMENSIONS:	TOLERANCES UNLESS OTHERWISE SPECIFIED:
mm	
	0 PLC ±-
	1 PLC ±-
	2 PLC ±-
	3 PLC ±-
	4 PLC ±-
	ANGLES ±-
MATERIAL	FINISH
-	-
-	-

Printed on 4 Jan 2022 16:33 (China Standard Time) from TE152312