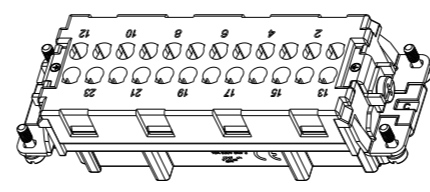
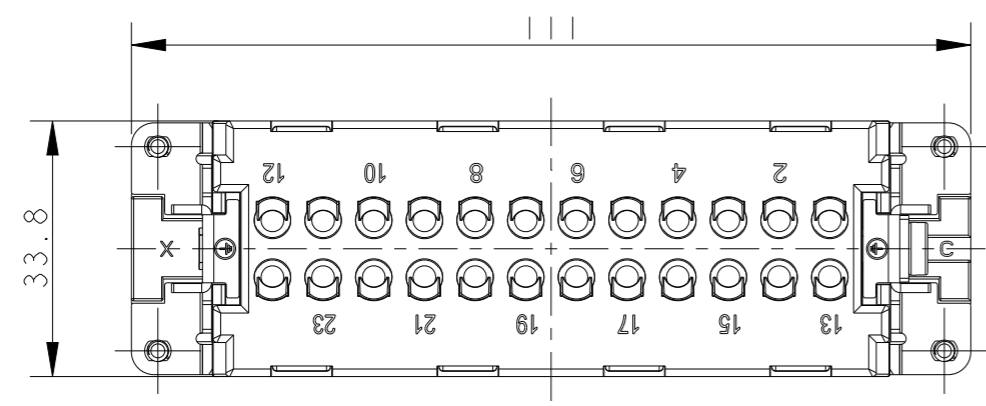


THIS DRAWING IS UNPUBLISHED. RELEASED FOR PUBLICATION 20
 © COPYRIGHT 20 BY - ALL RIGHTS RESERVED.

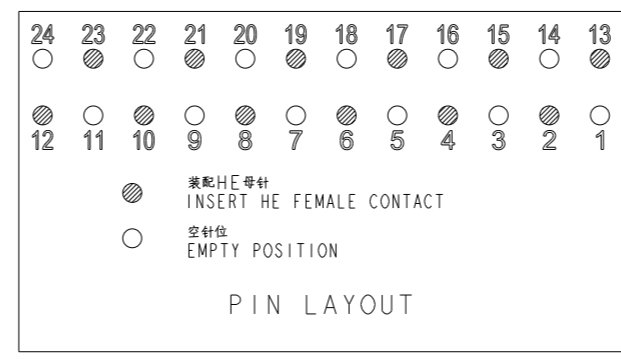
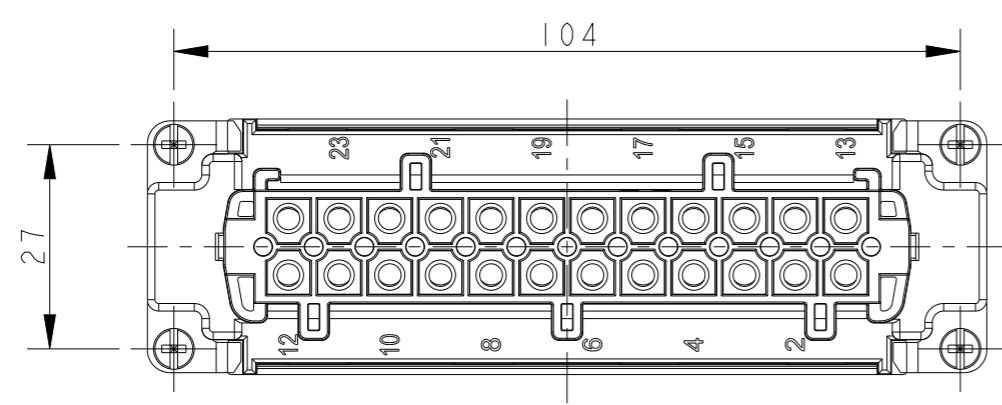
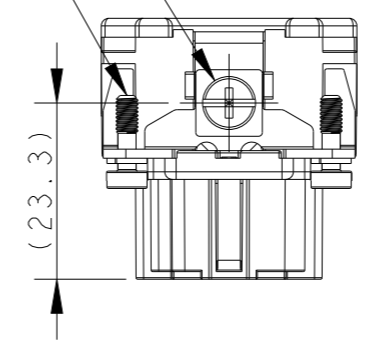
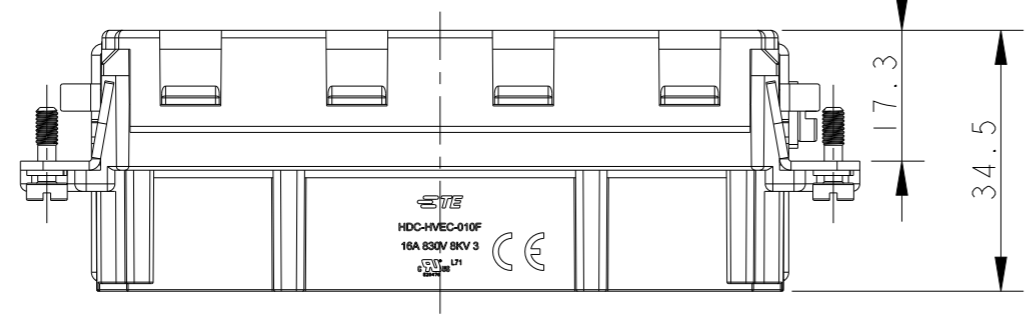
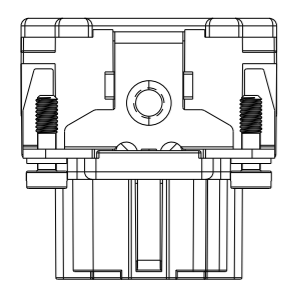
REVISIONS

P	LTR	DESCRIPTION	DATE	DWN	APVD
A		INITIAL RELEASE	30MAR2015	DL	CW
B		ECR-15-015128	21OCT2015	DL	CW
C		ECR-21-117384	29OCT2021	WQR	CW



SCALE 1:2

M4 THREAD
RECOMMENDED TIGHTENING TORQUE 1.2Nm
 4 X M3 THREAD
RECOMMENDED TIGHTENING TORQUE 0.5Nm

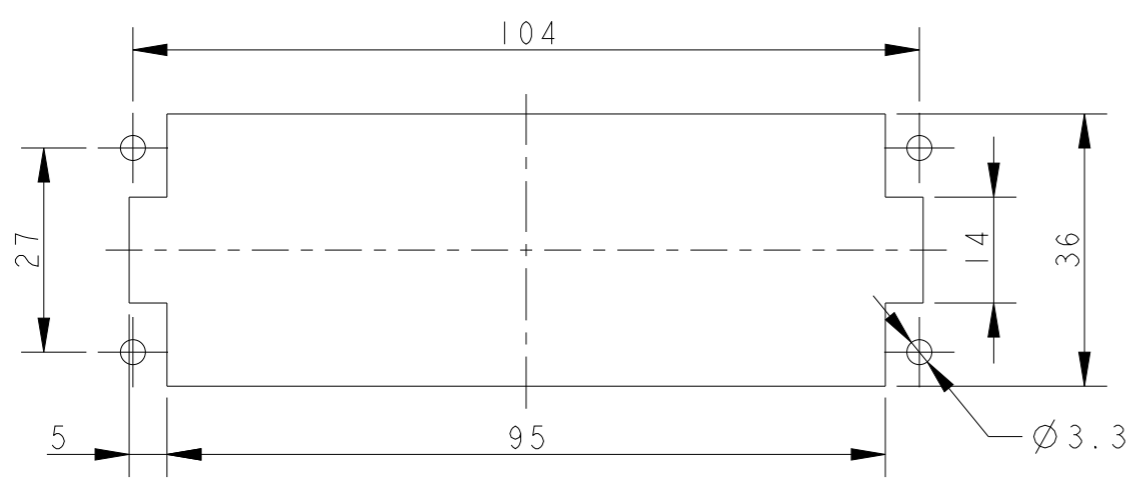


NOTES:

- TECHNICAL CHARACTERISTICS:
 INSULATION MATERIAL: PC
 RATED VOLTAGE: 830 V
 RATED CURRENT: 16 A
 INSULATION RESISTANCE: $\geq 400M\Omega$
 RATED IMPULSE VOLTAGE: 8 KV
 POLLUTION DEGREE: 3
 FLAMMABILITY: UL94V-0
 MATING CYCLES: 500 CYCLES
 OPERATION TEMPERATURE: $-40-+125^{\circ}C$
 WIRE RANGE: 0.14-4 mm² (26-12 AWG)
 CONTACT TYPE: CRIMP CONTACT
- CONTACT NEED TO BE ORDERED SEPARATELY.
 (ORDER No. REFER TO DRAWING: T20300X20XX000)

注释:

- 技术参数:
 绝缘材料: PC
 额定电压: 830V
 额定电流: 16A
 绝缘电阻: $\geq 400M\Omega$
 额定脉冲电压: 8 KV
 污染等级: 3
 阻燃等级: UL94V-0
 插拔次数: 500次
 工作温度: $-40-+125^{\circ}C$
 接线范围: 0.14-4 mm² (26-12 AWG)
 接线类型: 冷压接
- 端子需要单独订购.
 (订货号参考图面: T20300X20XX000)



PANEL CUT FOR INSERTS FOR USING WITHOUT HOODS/HOUSINGS

THIS DRAWING IS A CONTROLLED DOCUMENT.

DIMENSIONS:	TOLERANCES UNLESS OTHERWISE SPECIFIED:
mm	
	±-
	±-
	±-
	±-
	±-
ANGLES	±-
FINISH	-

DWN	DAVID LI	27MAR2015
CHK	CHRIS WANG	27MAR2015
APVD	XU XIANG	27MAR2015
PRODUCT SPEC	108-137069	
APPLICATION SPEC	114-137069	
WEIGHT	-	
CUSTOMER DRAWING		

HVEC-010-F	T2300104201-000
DESCRIPTION	PART NUMBER



NAME		HVEC-010-F	
SIZE	CAGE CODE	DRAWING NO	RESTRICTED TO
A3	-	©-T2300104201000	
SCALE		SHEET	OF
1:1		1	1
		REV	C