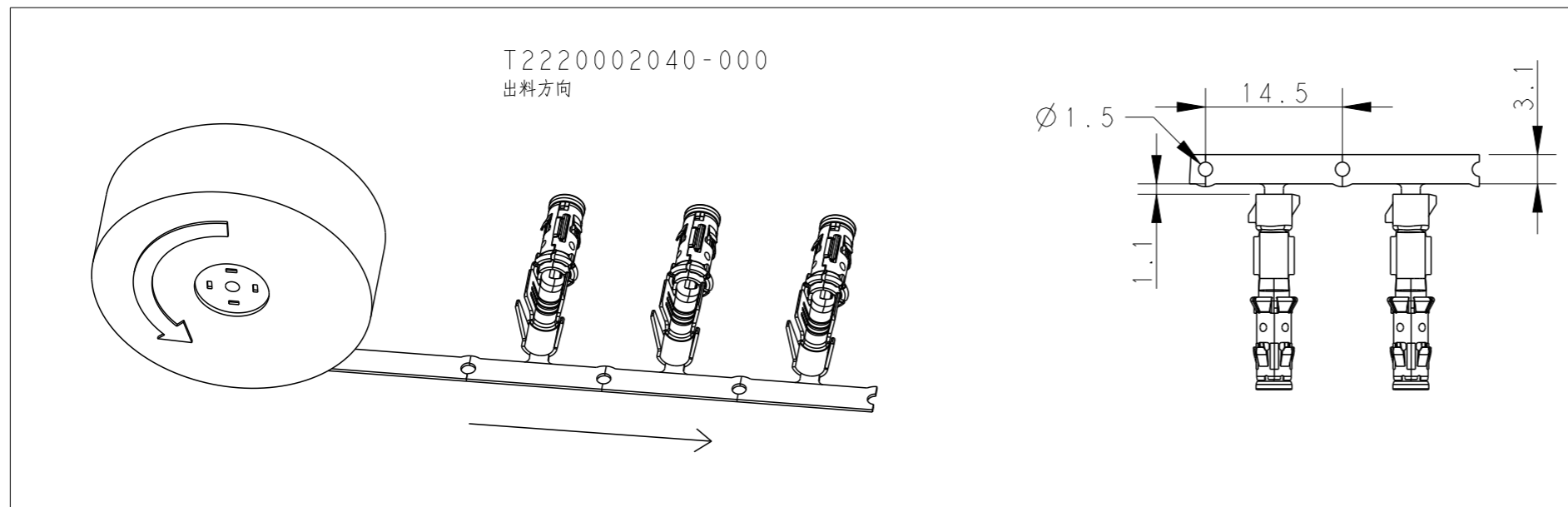


REVISIONS

P	LTR	DESCRIPTION	DATE	DWN	APVD
	A	INITIAL RELEASED	24FEB2023	QY	CW

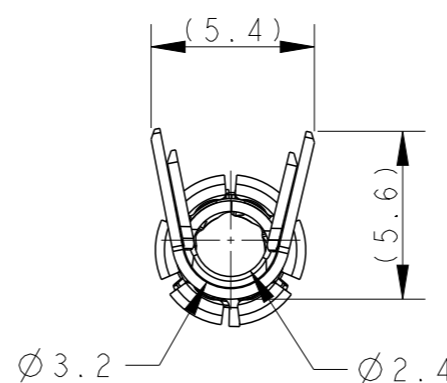
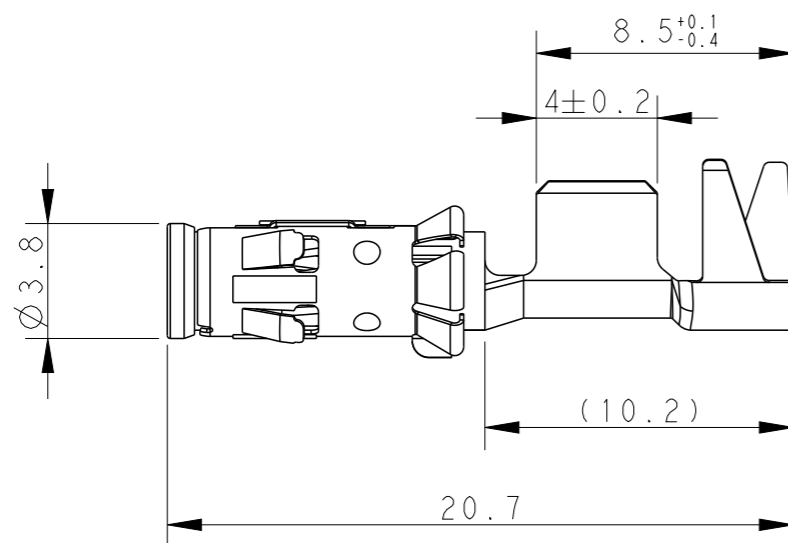


NOTES:

- 1. MATERIAL:  
BODY: COPPER ALLOY  
BARREL: STAINLESS STEEL
- 2. SURFACE PLATING:  
MATING AREA SILVER PLATED  
OTHERS TIN PLATED
- 3. WIRE RANGE: 2.5~4 mm<sup>2</sup>

注释:

- 1. 材料:  
主体: 铜合金  
护套: 不锈钢
- 2. 表面电镀:  
配合区域镀银, 其余区域镀雾锡
- 3. 接线范围: 2.5~4 mm<sup>2</sup>



T2220002040-001	SCEF 2.5-4.0	Ø2.5MM FEMALE STAMPING CONTACT,SILVER PLATED,2.5~4MM <sup>2</sup> Ø2.5MM 冲压母针, 镀银, 2.5~4MM <sup>2</sup>	2500PCS /BOX
T2220002040-000	SCEF 2.5-4.0	Ø2.5MM FEMALE STAMPING CONTACT,SILVER PLATED,2.5~4MM <sup>2</sup> Ø2.5MM 冲压母针, 镀银, 2.5~4MM <sup>2</sup>	10000PCS /BOX
PART NUMBER 料号	PART DESCRIPTION 描述		QTY 包装数量

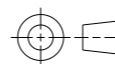
THIS DRAWING IS A CONTROLLED DOCUMENT.

DWN 24FEB2023  
QIANG YUAN  
CHK 24FEB2023  
GINO YAO  
APVD 24FEB2023  
CHRIS WANG



DIMENSIONS:  
mm

TOLERANCES UNLESS OTHERWISE SPECIFIED:



0 PLC ±-  
1 PLC ±-  
2 PLC ±-  
3 PLC ±-  
4 PLC ±-  
ANGLES ±-

PRODUCT SPEC  
108-137664  
APPLICATION SPEC  
114-137664

NAME  
DIA 2.5MM FEMALE STAMPING CONTACT

MATERIAL -

FINISH -

WEIGHT -

SIZE A3 CAGE CODE 00779 DRAWING NO. T2220002040000 RESTRICTED TO -

CUSTOMER DRAWING

SCALE 1:1 SHEET 1 OF 1 REV A