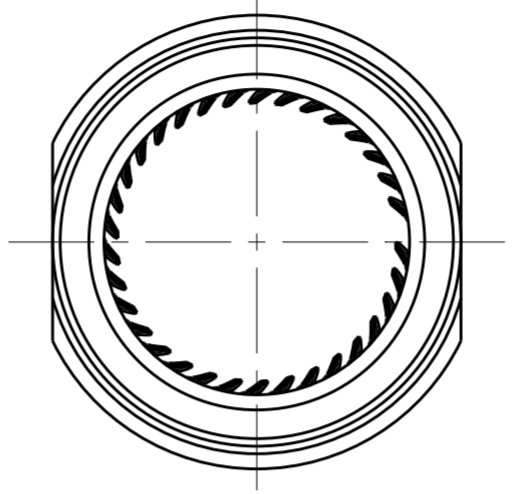
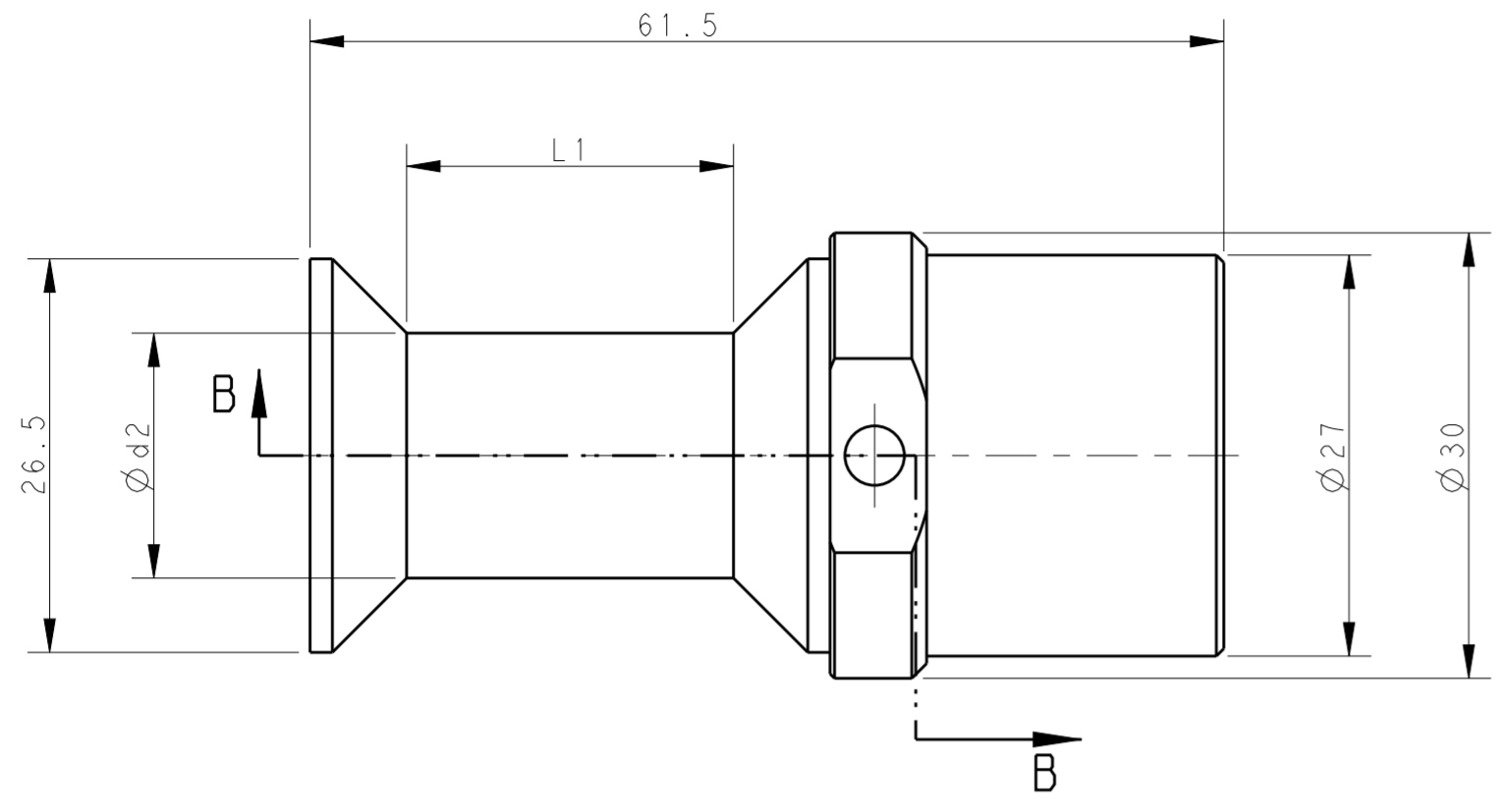


THIS DRAWING IS UNPUBLISHED. RELEASED FOR PUBLICATION 20  
 © COPYRIGHT 20 BY - ALL RIGHTS RESERVED.

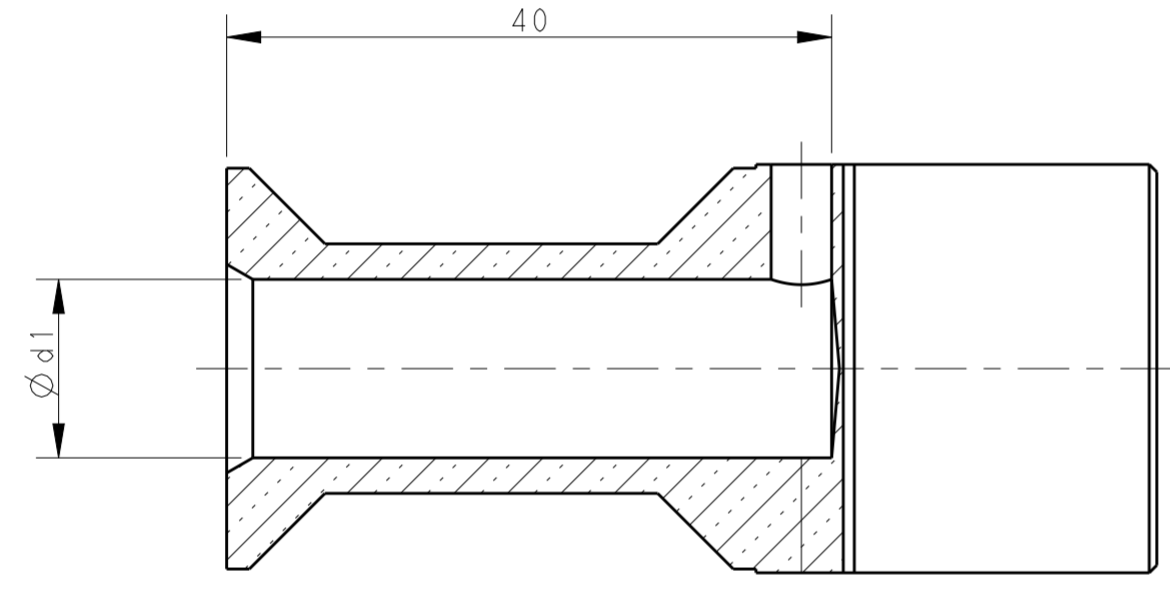
REVISIONS					
P	LTR	DESCRIPTION	DATE	DWN	APVD
A		INITIAL	8FEB2018	GY	CW
A1		ECR-20-007651	29MAY2020	GY	CW

TYPE 1: FOR WIRE GAUGE 70-185mm<sup>2</sup>  
 类型 1: 适用于夹线范围 70-185mm<sup>2</sup>



NOTES:  
 1. TECHNICAL CHARACTERISTICS:  
 CONTACT MATERIAL: COPPER  
 SURFACE PLATING: SILVER PLATING >= 5µm  
 CONTACT RESISTANCE: <=0.3mΩ  
 WIRE RANGE: 70-240mm<sup>2</sup>

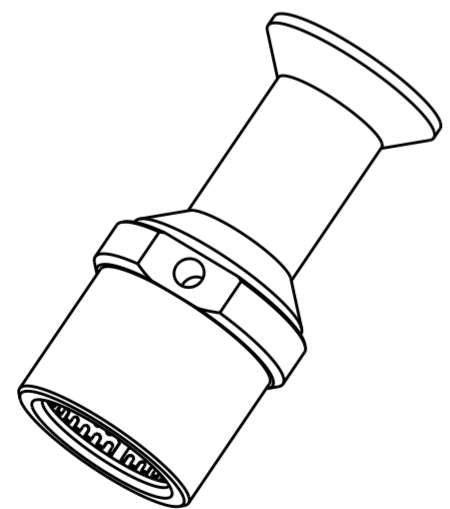
注释:  
 1. 技术参数:  
 针件材料: 纯铜  
 表面电镀: 镀银 >= 5µm  
 接触电阻: <=0.3 mΩ  
 接线范围: 70-240mm<sup>2</sup>



SECTION B-B

CRIMP DIRECTION / 压接指导

PART NUMBER 料号	L2	L3	Number of crimps X 压接数 X
T2196502070-001	10	25	1
T2196502095-001	9	26	1
T2196502120-001	8	27	1
T2196502150-001	5	30	2
T2196502185-001	3	28	2



PART NUMBER 料号	PART DESCRIPTION 零件描述		Ød1	Ød2	L1	WIRE GAUGE 线规 (mm <sup>2</sup> )	STRIPPING LENGTH 剥线长度 (mm)	TYPE 类型
T2196502070-001	HCM650-FC-70	HCM650 SOCKET CONTACT, CRIMP, 70mm <sup>2</sup> , COPPER WIHT SILVER PLATING 母针, 冷压, 70mm <sup>2</sup> , 铜镀银	11.75	16.5	22	70	42	TYPE 1 类型 1
T2196502095-001	HCM650-FC-95	HCM650 SOCKET CONTACT, CRIMP, 95mm <sup>2</sup> , COPPER WIHT SILVER PLATING 母针, 冷压, 95mm <sup>2</sup> , 铜镀银	13.5	19	24.5	95	42	
T2196502120-001	HCM650-FC-120	HCM650 SOCKET CONTACT, CRIMP, 120mm <sup>2</sup> , COPPER WIHT SILVER PLATING 母针, 冷压, 120mm <sup>2</sup> , 铜镀银	15.5	21	26.5	120	42	
T2196502150-001	HCM650-FC-150	HCM650 SOCKET CONTACT, CRIMP, 150mm <sup>2</sup> , COPPER WIHT SILVER PLATING 母针, 冷压, 150mm <sup>2</sup> , 铜镀银	17	23.5	29	150	42	
T2196502185-001	HCM650-FC-185	HCM650 SOCKET CONTACT, CRIMP, 185mm <sup>2</sup> , COPPER WIHT SILVER PLATING 母针, 冷压, 185mm <sup>2</sup> , 铜镀银	19	25.5	31	185	42	

THIS DRAWING IS A CONTROLLED DOCUMENT.

DWN	GINO.YAO	30 JAN 2018
CHK	CHRIS.WANG	30 JAN 2018
APVD	CHRIS.WANG	30 JAN 2018

TE Connectivity

NAME: HCM650 SOCKET CONTACT

PRODUCT SPEC: 108-137074

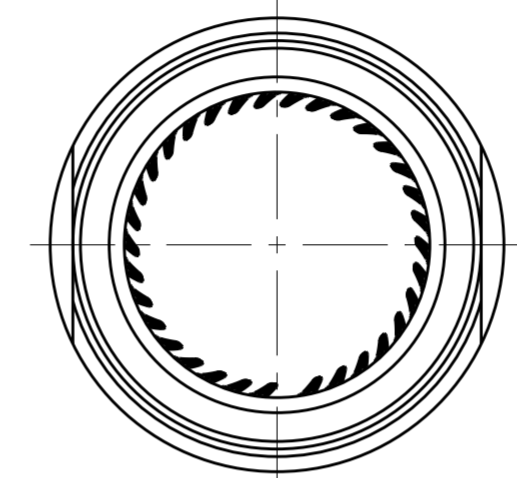
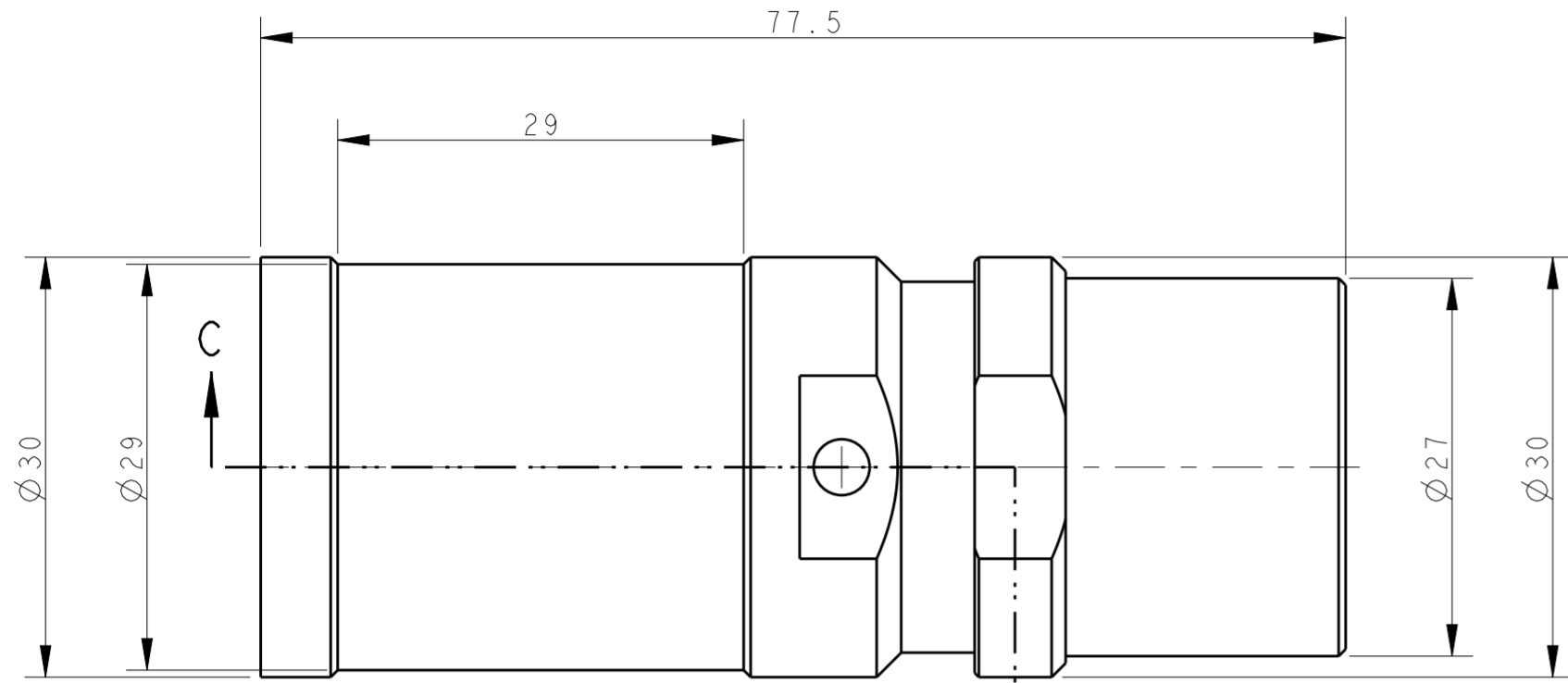
APPLICATION SPEC: 114-137074

SCALE: 1:1 SHEET 1 OF 2 REV A1

THIS DRAWING IS UNPUBLISHED. RELEASED FOR PUBLICATION 20  
 © COPYRIGHT 20 BY - ALL RIGHTS RESERVED.

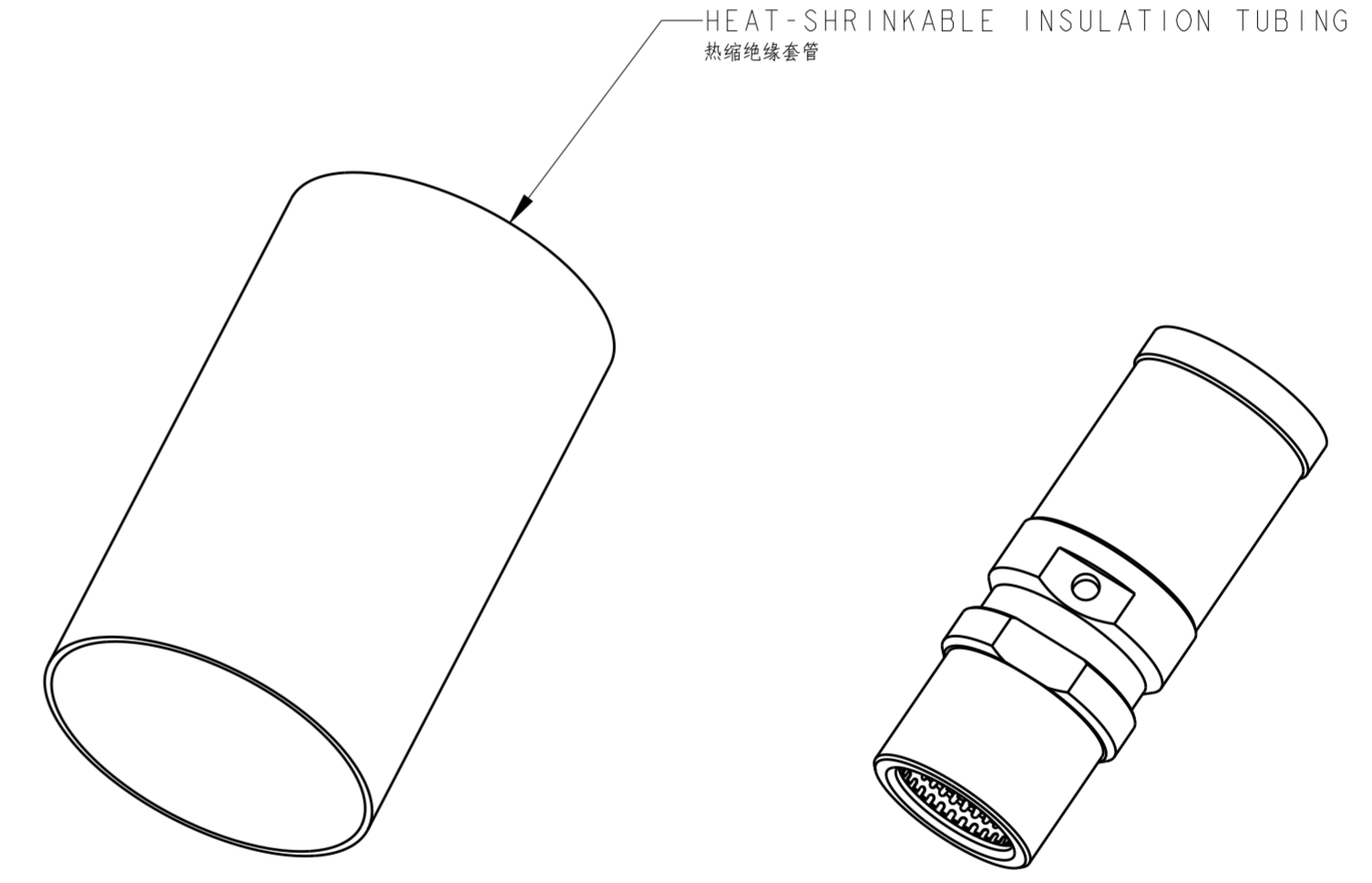
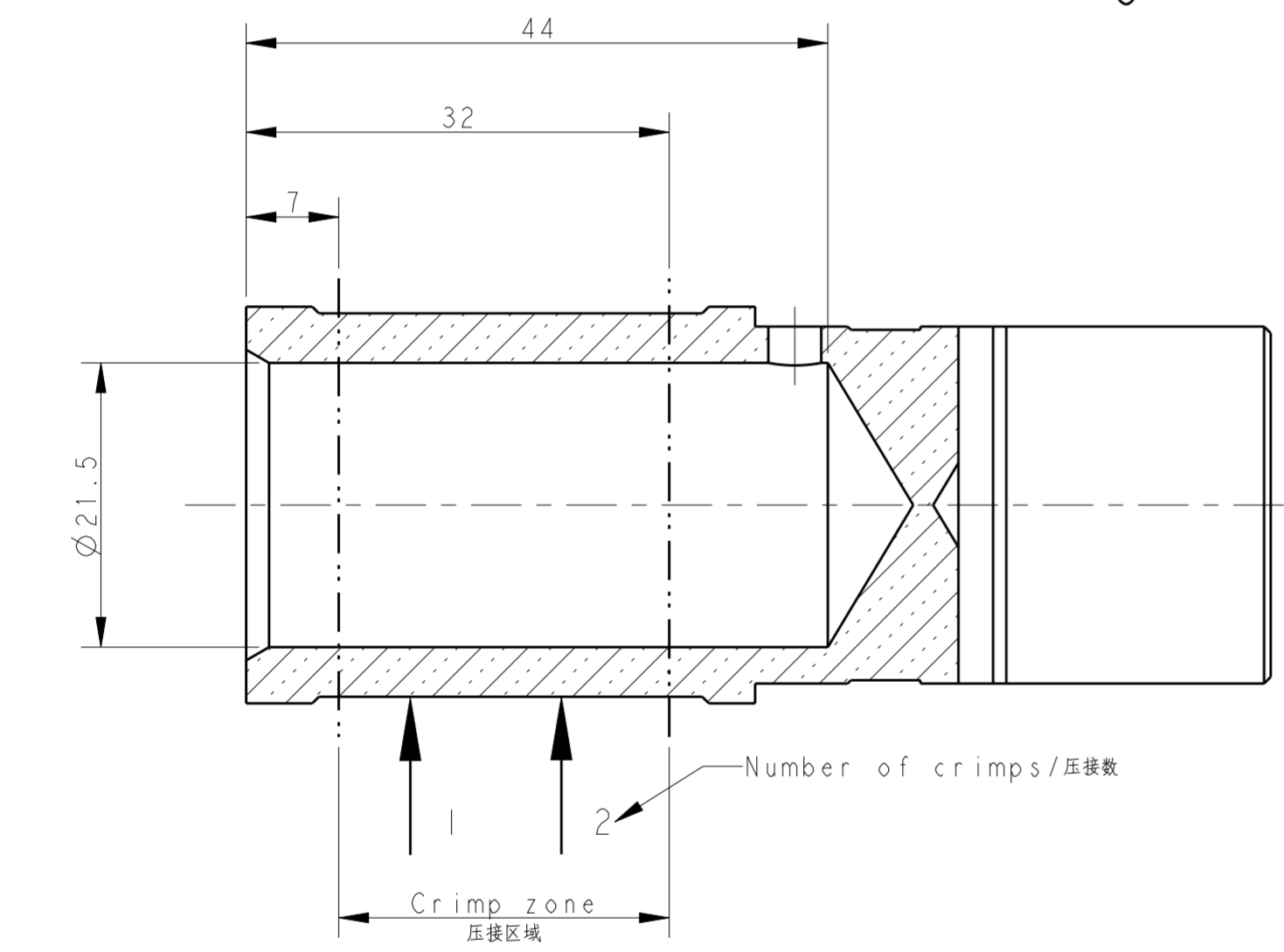
REVISIONS				
P	LTR	DESCRIPTION	DATE	APVD
		SEE SHEET 1		

TYPE II: FOR WIRE GAUGE 240mm<sup>2</sup>, WITH HEAT-SHRINKABLE INSULATION TUBING  
 类型 II: 适用于导线范围 240mm<sup>2</sup>, 带热缩绝缘套管



NOTES:  
SEE SHEET 1

注释:  
见页面 1



SECTION C-C

PART NUMBER 料号	PART DESCRIPTION 零件描述	∅ d1	∅ d2	L1	WIRE GAUGE 线规 (mm <sup>2</sup> )	STRIPPING LENGTH 剥线长度 (mm)	TYPE 类型
Obsoleted PN T2196502240-101	HCM650 SOCKET CONTACT, CRIMP, 240mm <sup>2</sup> , COPPER WITH SILVER PLATING, WITH HEAT-SHRINKABLE INSULATION TUBING HCM650 母针, 冷压, 240mm <sup>2</sup> , 铜镀银, 带热缩绝缘套管	-	-	-	240	46	TYPE II 类型 II

THIS DRAWING IS A CONTROLLED DOCUMENT.

DWN	GINO.YAO	30 JAN 2018
CHK	CHRIS.WANG	30 JAN 2018
APVD	CHRIS.WANG	30 JAN 2018

TE Connectivity

NAME: HCM650 SOCKET CONTACT

PRODUCT SPEC: 108-137074

APPLICATION SPEC: 114-137074

SIZE: A2 CAGE CODE: 00779 DRAWING NO: T2196502XXX00X RESTRICTED TO: -

CUSTOMER DRAWING SCALE: 1:1 SHEET: 2 OF 2 REV: A1