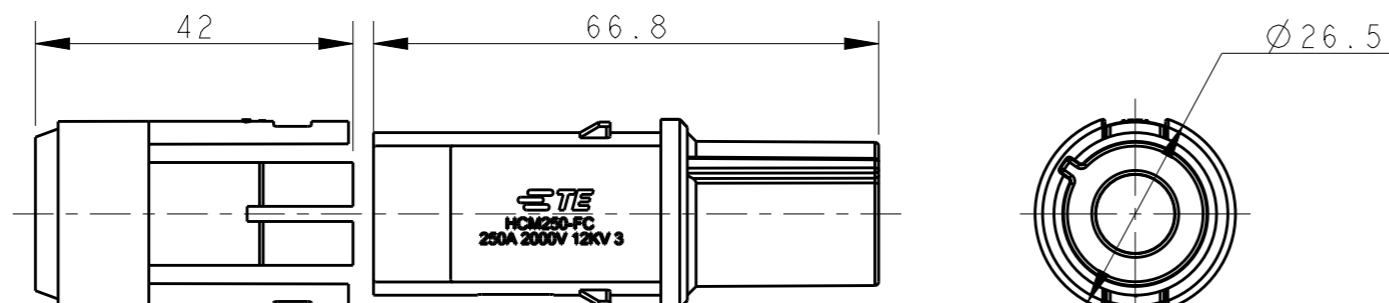


THIS DRAWING IS UNPUBLISHED. RELEASED FOR PUBLICATION 20
 © COPYRIGHT 20 BY - ALL RIGHTS RESERVED.

REVISIONS				
P	LTR	DESCRIPTION	DATE	APVD
	A	INITIAL	05DEC2016	BS CW

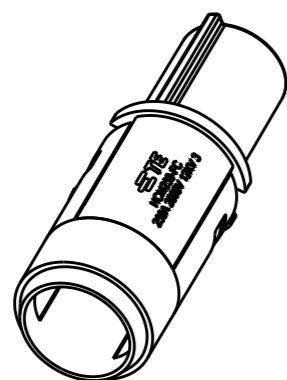
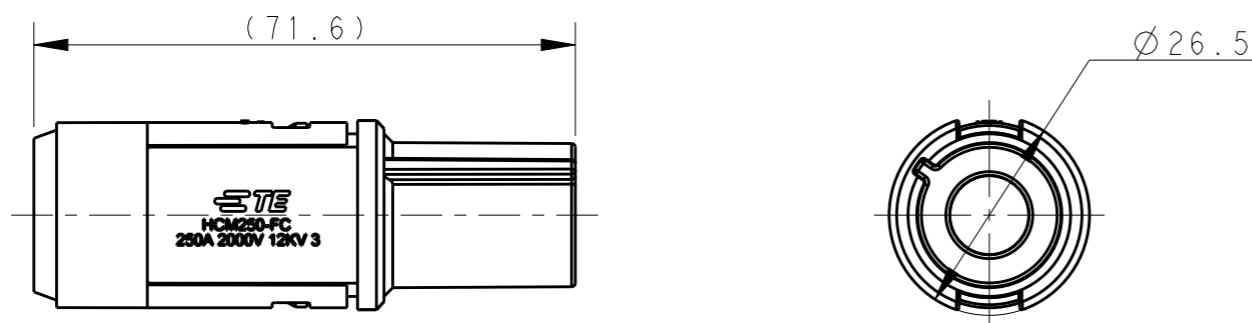
BEFORE ASSEMBLY:
 组装前:



- NOTES:
- TECHNICAL CHARACTERISTICS:
 INSULATION MATERIAL: PC
 RATED VOLTAGE: 2000V
 RATED CURRENT: 250A
 RATED IMPULSE VOLTAGE: 12KV
 POLLUTION DEGREE: 3
 FLAMMABILITY: UL94V-0
 WIRE RANGE: 35-70 mm²
 CONTACT TYPE: CRIMP CONTACT
 - CONTACT NEED TO BE ORDERED SEPARATELY.
 (ORDER No. REFER TO DRAWING:T21925020XX000)


- 注释:
- 技术参数:
 绝缘材料: PC
 额定电压: 2000V
 额定电流: 250A
 额定脉冲电压: 12KV
 污染等级: 3
 阻燃等级: UL94V-0
 接线范围: 35-70 mm²
 接线类型: 冷压接
 - 端子需要单独订购。
 (订货号参考图面: T21925020XX000)

AFTER ASSEMBLY:
 组装后:



T2192503201-000	HCM250-FC	HCM250 FEMALE INSERT, CRIMP HCM250母插、冷压型
PART NUMBER 零件料号		PART DESCRIPTION 零件描述

THIS DRAWING IS A CONTROLLED DOCUMENT.	
DIMENSIONS: mm	TOLERANCES UNLESS OTHERWISE SPECIFIED: 0 PLC ±- 1 PLC ±- 2 PLC ±- 3 PLC ±- 4 PLC ±- ANGLES ±-
MATERIAL -	FINISH -

DWN BELL SU 05DEC2016	 TE Connectivity NAME HCM250-FC
CHK KYLE ZENG 05DEC2016	
APVD CHRIS WANG 05DEC2016	
PRODUCT SPEC 108-137171	
APPLICATION SPEC 114-137171	SIZE A3
WEIGHT -	CAGE CODE -
CUSTOMER DRAWING	DRAWING NO T2192503201000
	RESTRICTED TO -
	SCALE 1:1
	SHEET 1 OF 1
	REV A