

4

3

2

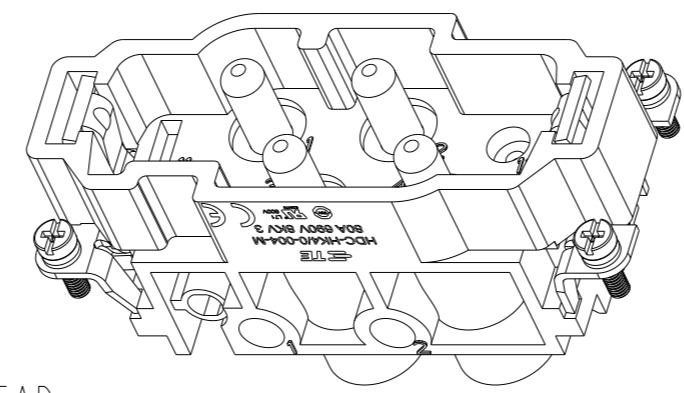
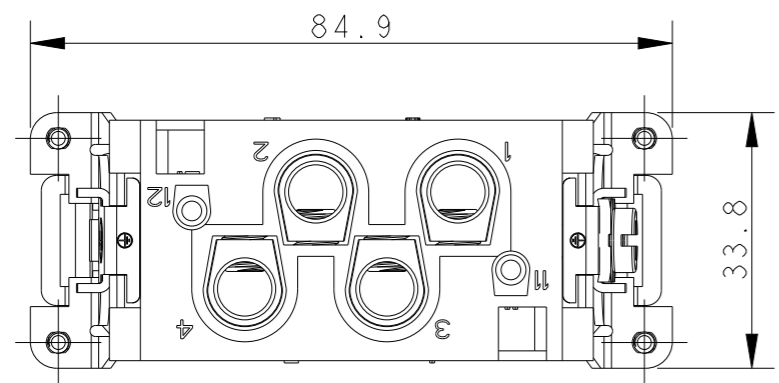
1

THIS DRAWING IS UNPUBLISHED. RELEASED FOR PUBLICATION 20

© COPYRIGHT 20 BY - ALL RIGHTS RESERVED.

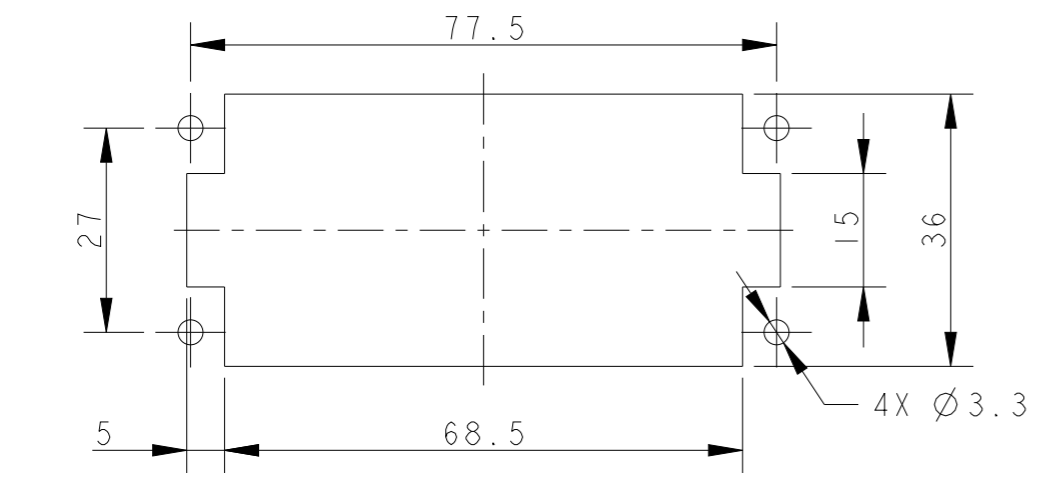
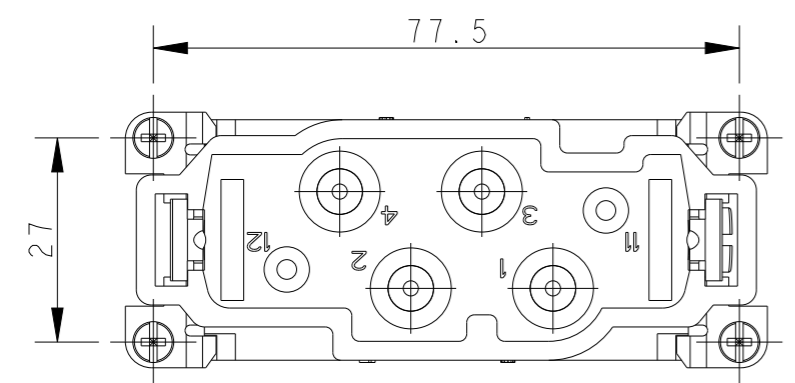
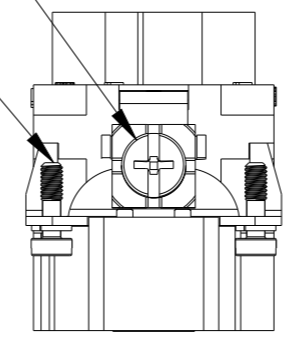
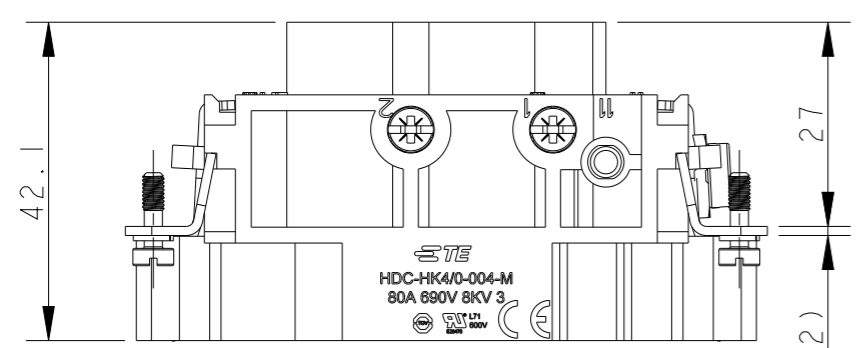
REVISIONS

P	LTR	DESCRIPTION	DATE	DWN	APVD
	A	INITIAL RELEASE	14APR2015	DL	CW
	B	ECR-15-018481	22FEB2016	DL	CW
	C	ECR-21-111798	08SEP2021	WQR	CW



M5 THREAD  
RECOMMENDED TIGHTENING TORQUE 2.0Nm

4 X M3 THREAD  
RECOMMENDED TIGHTENING TORQUE 0.5Nm




NOTES:

1. TECHNICAL CHARACTERISTICS:  
 INSULATION MATERIAL: PC  
 RATED VOLTAGE: 690 V  
 RATED CURRENT: 80 A  
 INSULATION RESISTANCE:  $\geq 400M\Omega$   
 RATED IMPULSE VOLTAGE: 8 KV  
 POLLUTION DEGREE: 3  
 FLAMMABILITY: UL94V-0  
 MATING CYCLES: 500  
 OPERATION TEMPERATURE:  $-40-+125^{\circ}C$   
 WIRE RANGE: POWER: 1.5-16 mm<sup>2</sup> (16-5 AWG)  
 CONTACT FINISH: SILVER PLATED  
 CONTACT TYPE: SCREW CONTACT

注释:

1. 技术参数:  
 绝缘材料: PC  
 额定电压: 690 V  
 额定电流: 80 A  
 绝缘电阻:  $\geq 400M\Omega$   
 额定脉冲电压: 8 KV  
 污染等级: 3  
 阻燃等级: UL94V-0  
 插拔次数: 500次  
 工作温度:  $-40-+125^{\circ}C$   
 接线范围: 1.5-16 mm<sup>2</sup> (16-5 AWG)  
 端子表面处理: 镀银  
 接线类型: 螺丝压接

T2120043101-000	HK4/0-004-M HK4/0-004 公插 十字螺丝
PART NUMBER 料号	PART DESCRIPTION 描述

THIS DRAWING IS A CONTROLLED DOCUMENT.		DWN	DAVID LI	14APR2015	 TE Connectivity	
DIMENSIONS: mm		CHK	CHRIS WANG	14APR2015		
TOLERANCES UNLESS OTHERWISE SPECIFIED:		APVD	XU XIANG	14APR2015		
0 PLC ±- 1 PLC ±- 2 PLC ±- 3 PLC ±- 4 PLC ±- ANGLES ±-		PRODUCT SPEC	108-137127			
MATERIAL		APPLICATION SPEC	114-137127		NAME	HK4/0-004-M
		WEIGHT	-		SIZE	A3
		CUSTOMER DRAWING			CAGE CODE	-
					DRAWING NO	©-T2120043101000
					RESTRICTED TO	
					SCALE	1:1
					SHEET	1 OF 1
					REV	C