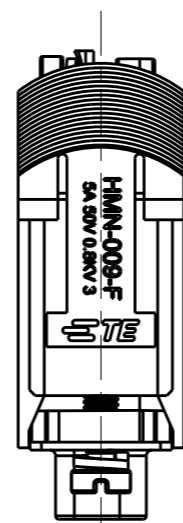
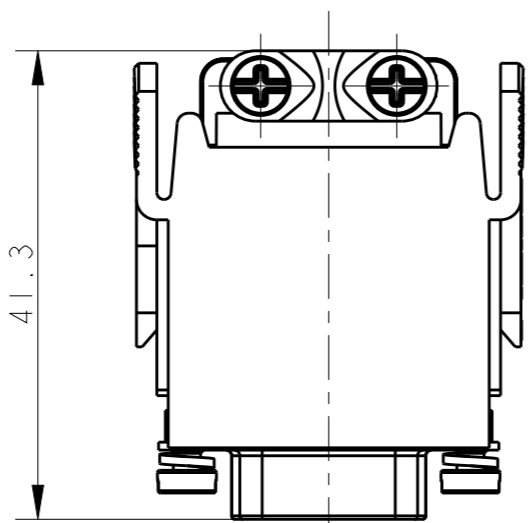
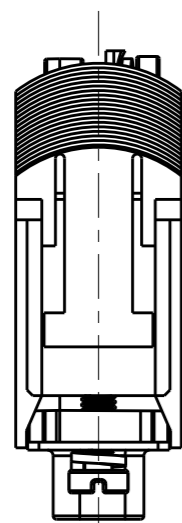
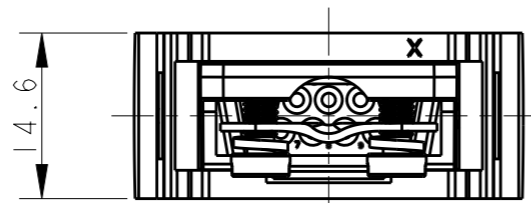
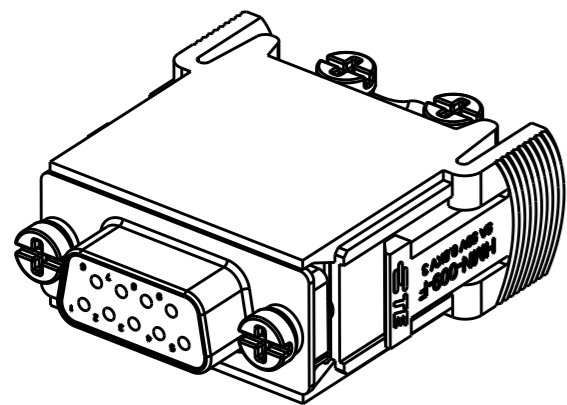


THIS DRAWING IS UNPUBLISHED. RELEASED FOR PUBLICATION 20
 © COPYRIGHT 20 BY - ALL RIGHTS RESERVED.

REVISIONS

P	LTR	DESCRIPTION	DATE	DWN	APVD
	B	INITIAL	19SEP2017	YC	CW
	B1	ECR-18-013580	30AUG2018	WQR	CW
	B2	ECR-19-000492	23JAN2019	AL	CW
	B2	ECR-19-004179	24APR2019	AL	CW

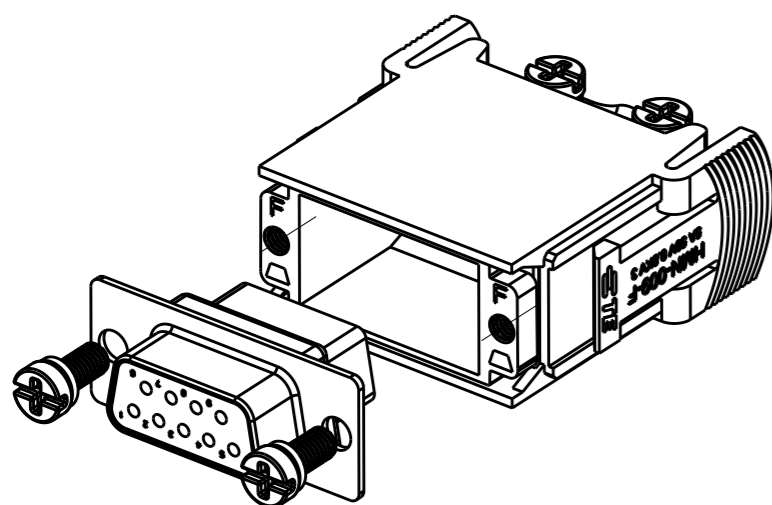
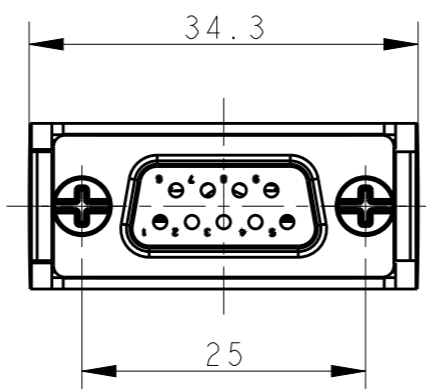
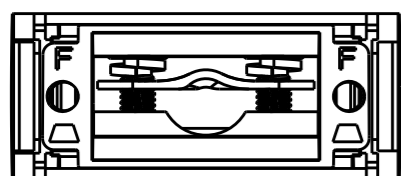


NOTES:

- TECHNICAL CHARACTERISTICS:
 INSULATION MATERIAL: PC
 RATED VOLTAGE: 50V
 RATED CURRENT: 5A
 INSULATION RESISTANCE: $\geq 400M\Omega$
 RATED IMPULSE VOLTAGE: 0.8KV
 POLLUTION DEGREE: 3
 FLAMMABILITY: UL94V-0
 MATING CYCLES: 500 CYCLES
 WIRE RANGE: 0.08~0.52 mm² (28~20 AWG)
 CONTACT TYPE: CRIMP CONTACT
- CONTACT NEED TO BE ORDERED SEPARATELY.
 (ORDER No. REFER TO DRAWING:T20700X20XX000)

注释:

- 技术参数:
 绝缘材料: PC
 额定电压: 50V
 额定电流: 5A
 绝缘电阻: $\geq 400M\Omega$
 额定脉冲电压: 0.8KV
 污染等级: 3
 阻燃等级: UL94V-0
 插拔次数: 500次
 接线范围: 0.08~0.52 mm² (28~20 AWG)
 接线类型: 冷压接
- 端子需要单独订购.
 (订货号参考图面: T20700X20XX000)



T2111092201-007	HMN-009-F	HMN-009 FEMALE MODULE INSERT HMN-009 模块母插
PART NUMBER 料号	PART DESCRIPTION 描述	

THIS DRAWING IS A CONTROLLED DOCUMENT.	
DIMENSIONS: mm	TOLERANCES UNLESS OTHERWISE SPECIFIED:
	0 PLC ±-
	1 PLC ±-
	2 PLC ±-
	3 PLC ±-
	4 PLC ±-
	ANGLES ±-
MATERIAL	FINISH
-	-
-	-

DWN	19SEP2017	 TE Connectivity	NAME	HMN-009-F	
CHK	19SEP2017				
APVD	19SEP2017				
CHRIS WANG					
PRODUCT SPEC	108-137064	SIZE	CAGE CODE	DRAWING NO	RESTRICTED TO
APPLICATION SPEC	114-137064	A3	00779	©-T2111092201007	-
WEIGHT	-	SCALE	SHEET	OF	REV
CUSTOMER DRAWING		3:2	1	1	C